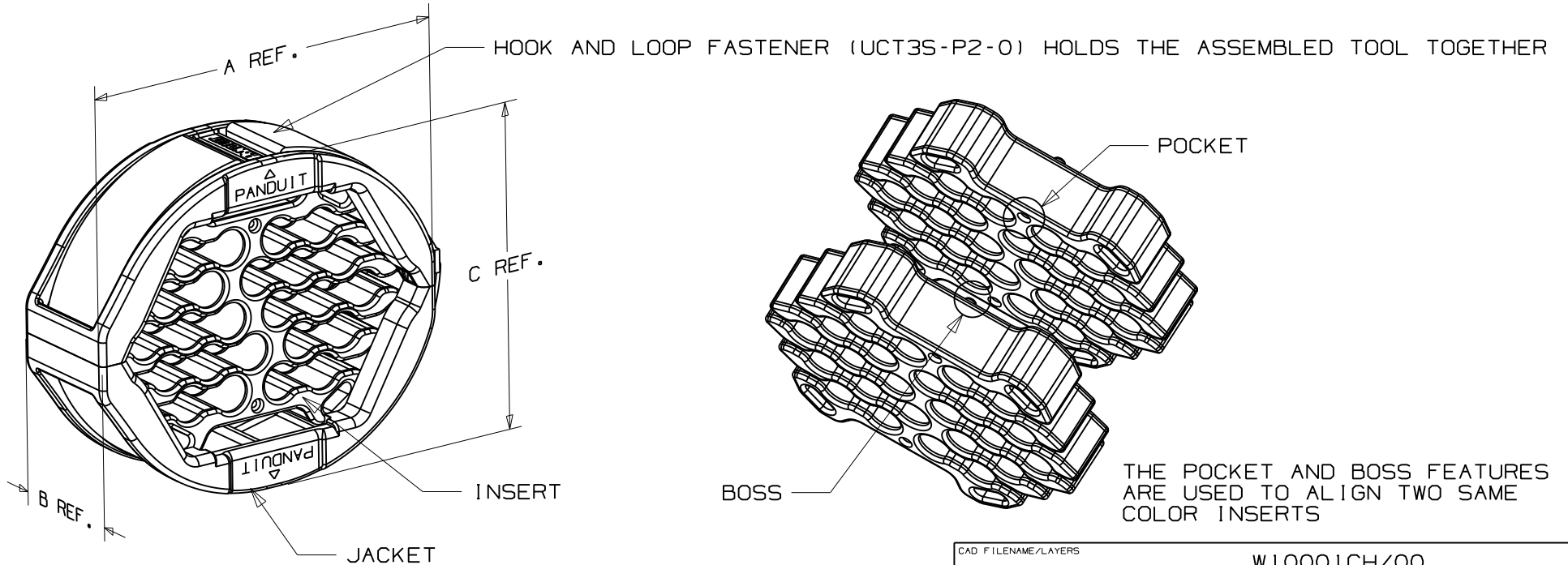


THIS COPY IS PROVIDED ON A RESTRICTED BASIS AND IS NOT TO BE USED IN ANY WAY DETRIMENTAL TO THE INTERESTS OF PANDUIT CORP.

PART NO.	COMPONENT	RECOMMENDED FOR CABLE OUTER DIAMETER RANGE	USE THE FOLLOWING INSERT	INSERT USED WITH THE FOLLOWING PANDUIT CABLE TYPES	COMPONENT WEIGHT LBS. - (g)	No. OF CABLES	A in. (mm)	B in. (mm)	C in. (mm)
CBOT24K	JACKET	N/A	N/A	N/A	.031 (14)	N/A	3.40 (86.4)	1.12 (28.4)	2.86 (72.6)
	GREEN INSERT	.180"-.248" (4.57mm-6.30mm)	FLOURESCENT GREEN	TX5500 CATEGORY 5e UTP TX6000 CATEGORY 6 UTP	.048 (22)	24			
	YELLOW INSERT	.230"-.310" (5.84mm-7.87mm)	FLOURESCENT YELLOW	TX6500 ENHANCED CATEGORY 6 TX6A 10 Gig CATEGORY 6A** ALL SHIELDED CABLES	.046 (21)	24			
	UCT3S-P2-0	N/A	N/A	N/A	.006 (3)	N/A			

**WHEN USING THE CBOT24K ON 10Gig CABLES, IT IS RECOMMENDED THAT PANDUIT 10Gig CAT 6A CABLES BE USED FOR OPTIMUM PERFORMANCE OF INSTALLED CABLE.



CAD FILENAME/LAYERS		W10001CH/00	
<h1>PANDUIT</h1> CORP. TINLEY PARK, ILLINOIS			
<h2>CBOT24K</h2> <h3>CABLE BUNDLE ORGANIZING TOOL</h3>			
UNLESS OTHERWISE SPECIFIED, DIMENSIONAL TOLERANCES ARE:		UNLESS OTHERWISE SPECIFIED, ALL DIMENSIONS ARE GIVEN IN INCHES, THIRD ANGLE PROJECTION.	
(.X) ±		(.XXX) ±	
(.XX) ±		ANGLES ±	
DRAWN BY	MAT'L:	SCALE	
RAMA	NYLON 6/6	3/4	
DATE		DRAWING NO.	DWG
1/25/07	SS-27576	A	
CHK'D		SIZE	

REV	DATE	BY	CHK	DESCRIPTION	ECN	R	CUST	SUP
R	1/25/08	RAMA		DRAWING RELEASED		R		