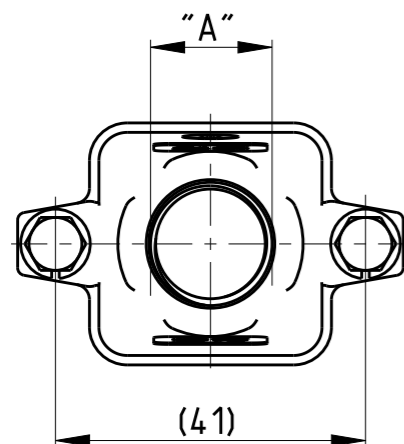
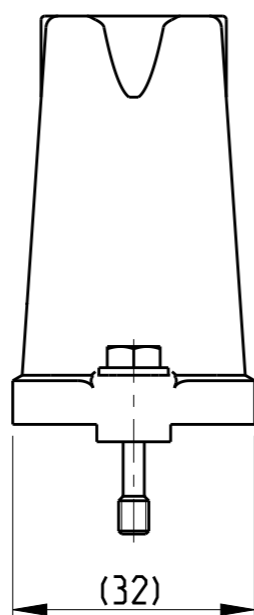
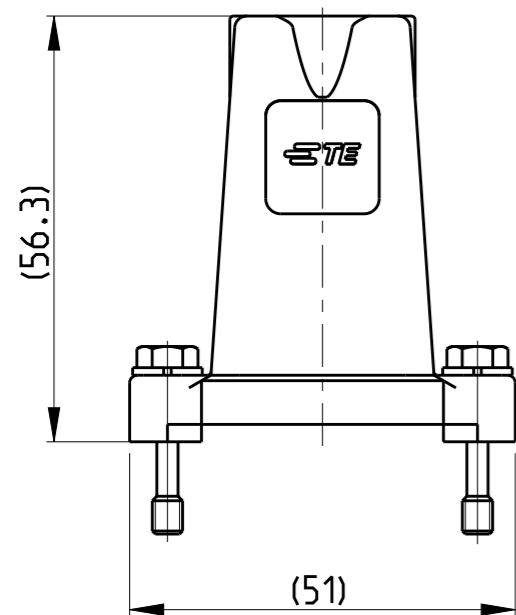


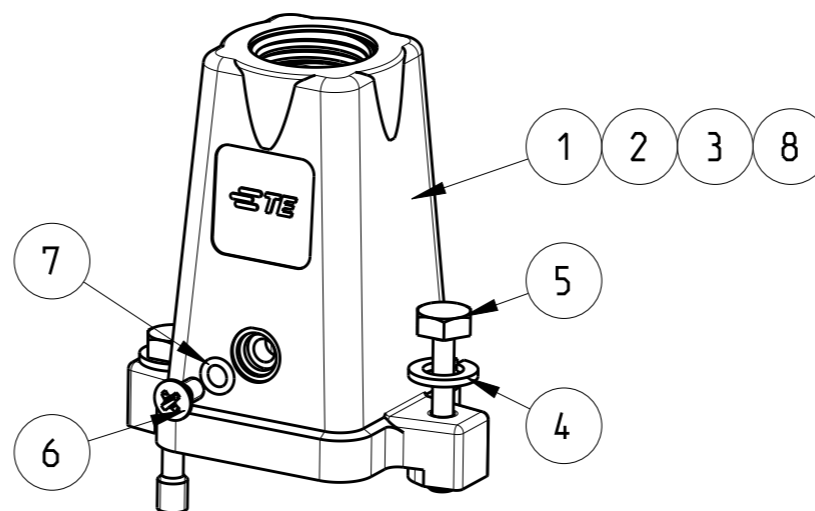
THIS DRAWING IS UNPUBLISHED. RELEASED FOR PUBLICATION 2006
© COPYRIGHT 2006 BY - ALL RIGHTS RESERVED.

REVISIONS

P	LTR	DESCRIPTION	DATE	DWN	APVD
A3		ECR-09-023155	22OCT2009	VG	AR
A4		ECR-10-009092	24MAR2010	RO	BR
B		ECR-16-001855	29FEB2016	GCM	JB



PN 0-1 AS SHOWN




Notes

- SUITABLE HOUSINGS: SERIES HIP, SIZE 1
CUSTOMER DRAWING 1102603, 1102602
- STANDARDS:
DIN EN 61984, DIN EN 60664-1
- TOOL:
PHILLIPS SCREWDRIVER PH1
HEXAGON SCREWDRIVER 7mm
- VARNISH ON INSIDE AREA NOT NECESSARY
- PACKAGING:
10 SETS IN A CARTON, PRE-MOUNTED

PART NO.	ORDERING TEXT
0-1106408-4	HIP-K.3/4.ST-N
0-1106408-3	HIP-K.3/4.STO.1.M20.G
0-1106408-2	HIP-K.3/4.STO.1.M16.G
0-1106408-1	HIP.3/4.STO.1.M16.G

QTY	PN	QTY	PN	DESCRIPTION	Dim.	MATERIAL	COLOR/SURFACE	NOTE	ITEM
1	-	-	-	CONNECTOR HOUSING	-	ALU ALLOY	BLACK	SERIES HIP-K.SIZE 1. W/O LOGO AND THREAD	8
1	1	1	1	O - RING	-	NBR	BLACK	3.0x1.0	7
1	1	1	1	SREW COUNTERSUNK RAISED HEAD	-	STAINL. STEEL	V2A	M3x6 PH1 DIN EN ISO 7047	6
2	2	2	2	SCREW, HEXAGON BOLT	-	STAINL. STEEL	BLANK	M4X22 DIN EN ISO 7964, REDUCED SHUNK	5
2	2	2	2	WASHER, PLAIN	-	STAINL. STEEL	BLANK	A4, DIN EN ISO 7989. 200HV	4
-	1	-	-	CONNECTOR HOUSING	M20	ALU ALLOY	BLACK	SERIES HIP-K	3
-	-	1	-	CONNECTOR HOUSING	M16	ALU ALLOY	BLACK	SERIES HIP-K	2
-	-	-	1	CONNECTOR HOUSING	M16	ALU ALLOY	GREY	SERIES HIP	1
0-4	0-3	0-2	0-1						
PN/QTY				DESCRIPTION	Dim.	MATERIAL	COLOR/SURFACE	NOTE	ITEM

PARTS LIST (PER ONE UNIT)

THIS DRAWING IS A CONTROLLED DOCUMENT.		DWN V.GLUMM 13AUG2009	 TE Connectivity											
DIMENSIONS: mm		CHK H.Braun 13AUG2009												
TOLERANCES UNLESS OTHERWISE SPECIFIED:		APVD T.Schnurpfel 13AUG2009												
<table border="1"> <tr> <td>0 PLC</td> <td>±</td> </tr> <tr> <td>1 PLC</td> <td>±</td> </tr> <tr> <td>2 PLC</td> <td>±</td> </tr> <tr> <td>3 PLC</td> <td>±</td> </tr> <tr> <td>4 PLC</td> <td>±</td> </tr> <tr> <td>ANGLES</td> <td>±°</td> </tr> </table>		0 PLC			±	1 PLC	±	2 PLC	±	3 PLC	±	4 PLC	±	ANGLES
0 PLC	±													
1 PLC	±													
2 PLC	±													
3 PLC	±													
4 PLC	±													
ANGLES	±°													
MATERIAL		FINISH	APPLICATION SPEC	NAME CONNECTOR HOUSING ASS'Y, TOP ENTRY SERIES HIP, SIZE 1, M16 / M20 METRIC										
-		-	WEIGHT	SIZE A3										
-		-	CUSTOMER DRAWING	CAGE CODE 00779										
-		-	SCALE 1:1	DRAWING NO C-1106408										
-		-	SHEET 1 OF 1	RESTRICTED TO -										
-		-	REV B											