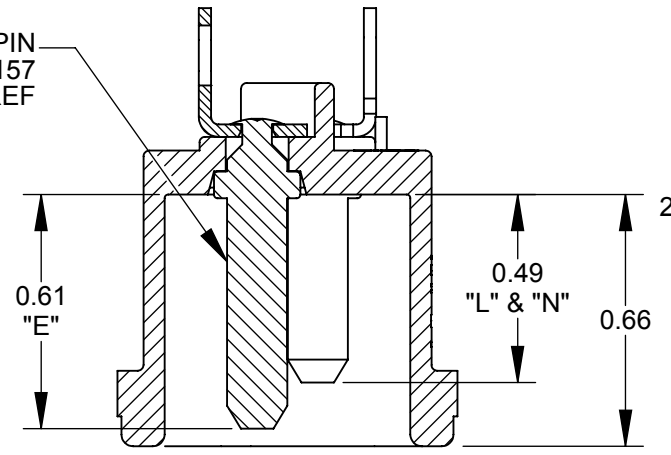
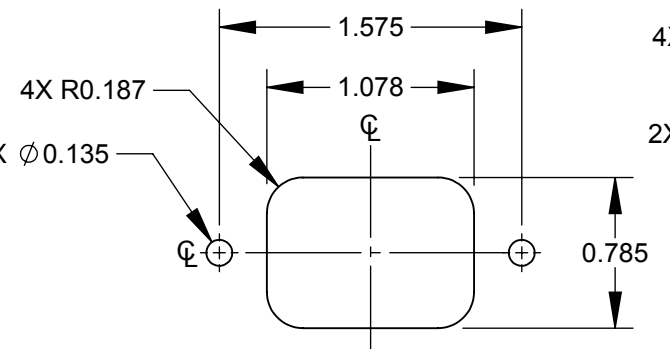


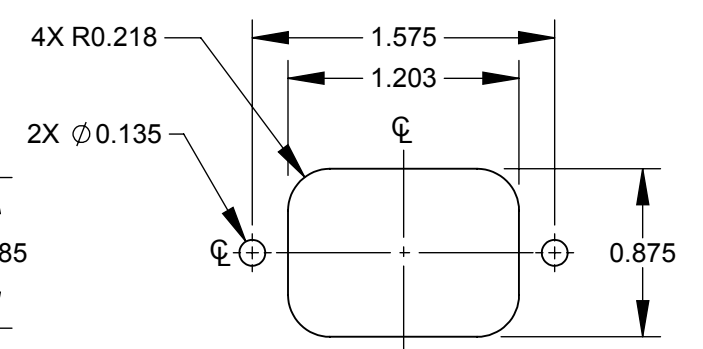
3X PIN  
0.078 x 0.157  
REF



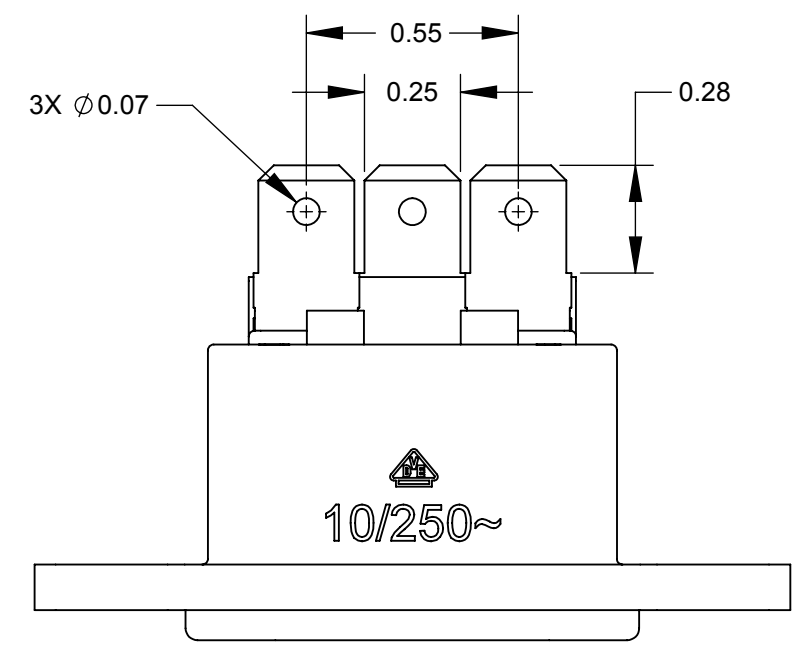
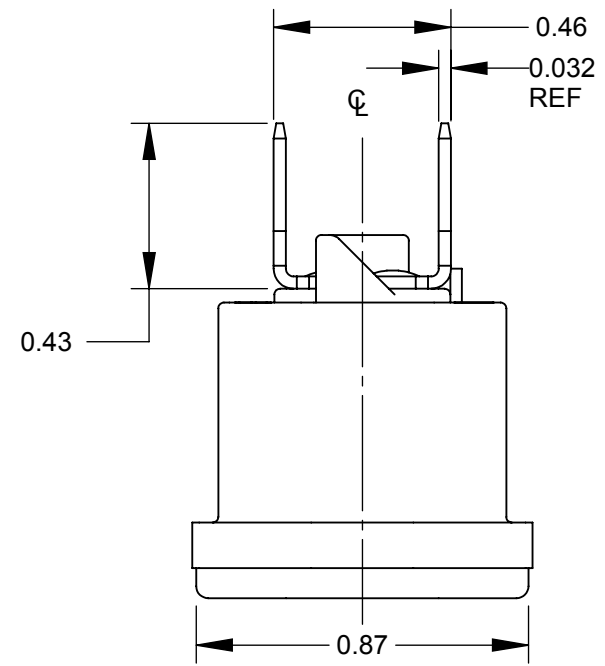
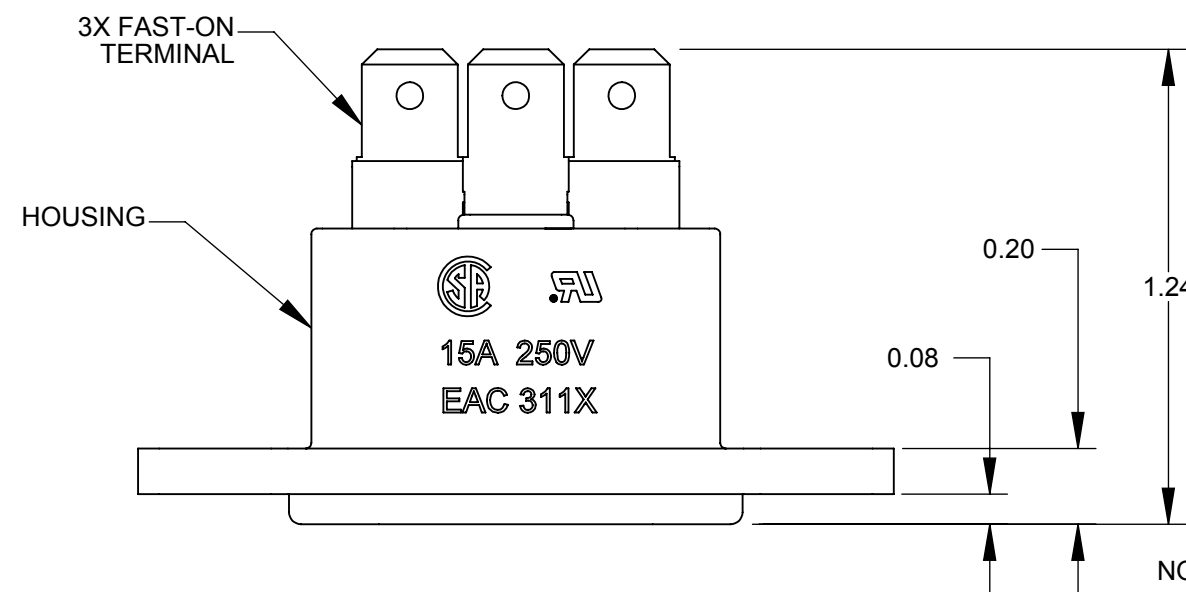
SECTION A-A



RECOMMENDED FRONT MOUNTING CUT-OUT

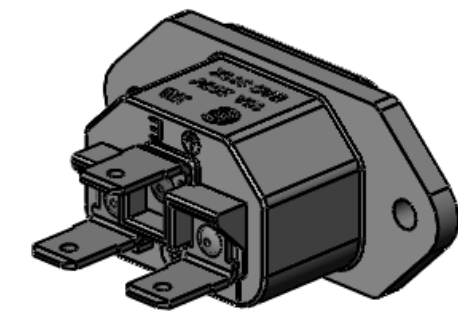
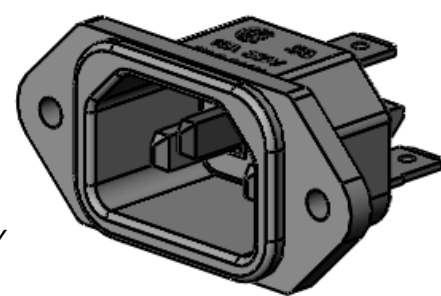


RECOMMENDED REAR MOUNTING CUT-OUT

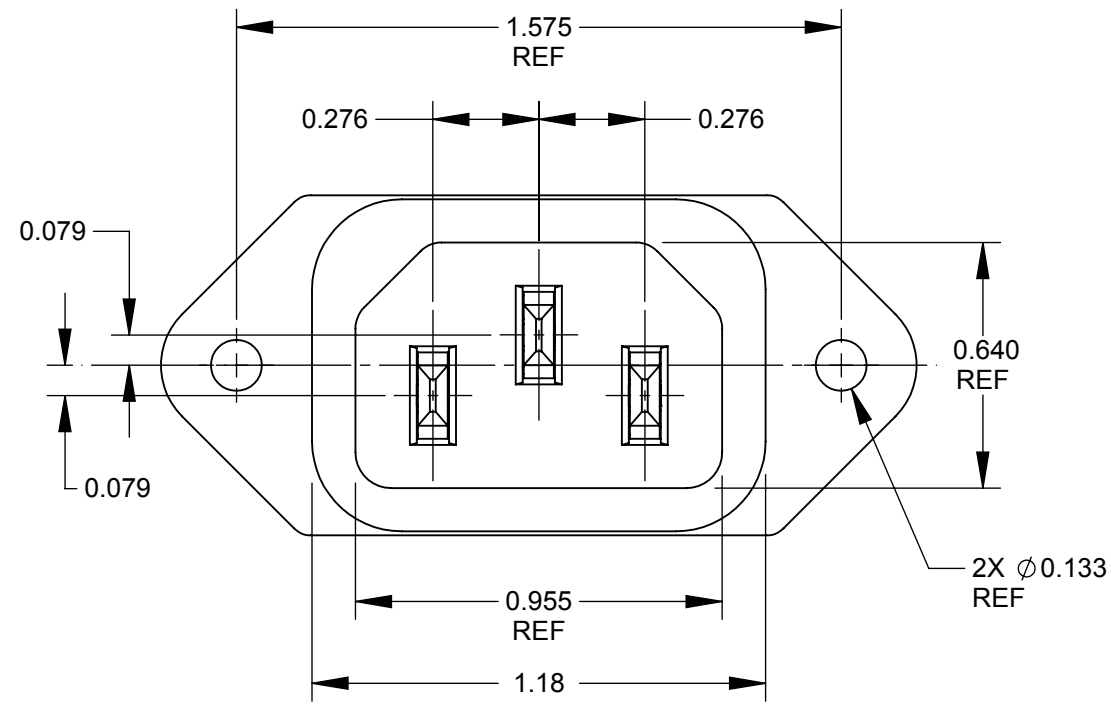


NOTES:

1. AGENCY IDENTIFICATION & RATING:  
UL & CSA: 15A 250V  
VDE: 10A, 250V
2. MEETS IEC 60320 SPECIFICATION
3. MATERIALS:  
HOUSING: BLACK POLYESTER  
TERMINALS: TIN PLATED COPPER ALLOY  
CONTACT PINS: TIN PLATED COPPER ALLOY
4. THIS PRODUCT IS RoHS COMPLIANT.



CUSTOMER DRAWING



REV	ECO NUMBER	DATE	BY	APVD
A	26895	12/16/11	BL	TJK
REVISIONS				

UNLESS OTHERWISE SPECIFIED

1. ALL DIMENSIONS IN INCHES

- TWO PLACE DECIMALS ±0.02

- THREE PLACE DECIMALS ±0.005

DO NOT SCALE DRAWING

THIS DRAWING DESCRIBES A DESIGN CONSIDERED PROPRIETARY IN NATURE, DEVELOPED AND MANUFACTURED BY SWITCHCRAFT INC. AND IS RELEASED ON A CONFIDENTIAL BASIS FOR IDENTIFICATION PURPOSES ONLY.									
SIZE	WIDTH	MULT	LBS/M	TEMPER					
FINISH					MATERIAL				
SPEC No.					SPEC No.				
FIRST USED ON					SCALE				
					2:1				
DATE DRAWN	BY	CHKD	APVD						
11/17/11	BL	BL	TJK						
			11/17/11						
NAME MALE AC RECEPTACLE								PART No.	
0.25 FAST-ON TERMINALS, RoHS								EAC311X	
SHEET 1 OF 1									
REV A									