

THIS DRAWING IS UNPUBLISHED. RELEASED FOR PUBLICATION
 © COPYRIGHT BY TYCO ELECTRONICS CORPORATION. ALL RIGHTS RESERVED.

LOC		DIST		REVISIONS			
P	LTR	DESCRIPTION		DATE	DWN	APVD	
AD	00	A	ECO-07-000908	02JUL07	MB	MS	

SPECIFICATIONS:

MATERIAL:

COVER, STAINLESS STEEL
 ACTUATOR, SILICON RUBBER, CLEAR
 CONTACT, COPPER ALLOY, SILVER CLAD PLATE
 CASE, PPS UL94V-0, BROWN
 TERMINAL, COPPER ALLOY, SILVER PLATE

ELECTRICAL:

MAX CONTACT RATING: 50MILLIAMPS@24V DC
 MIN CONTACT RATING: 10MICROAMPS@1V DC
 INITIAL CONTACT RESISTANCE, 100 MILLIOHMS MAX, PER EIA-364-23B, EACH POSITION
 INSULATION RESISTANCE, 100 MEGOHM MIN. PER EIA-364-21C EACH POSITION
 DIELECTRIC STRENGTH, 500 VAC

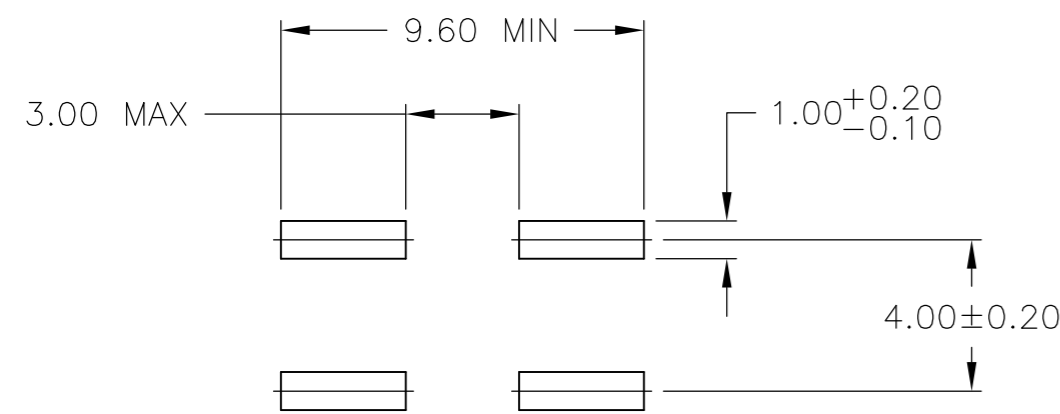
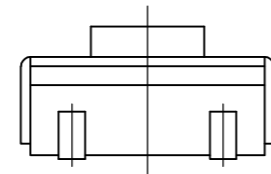
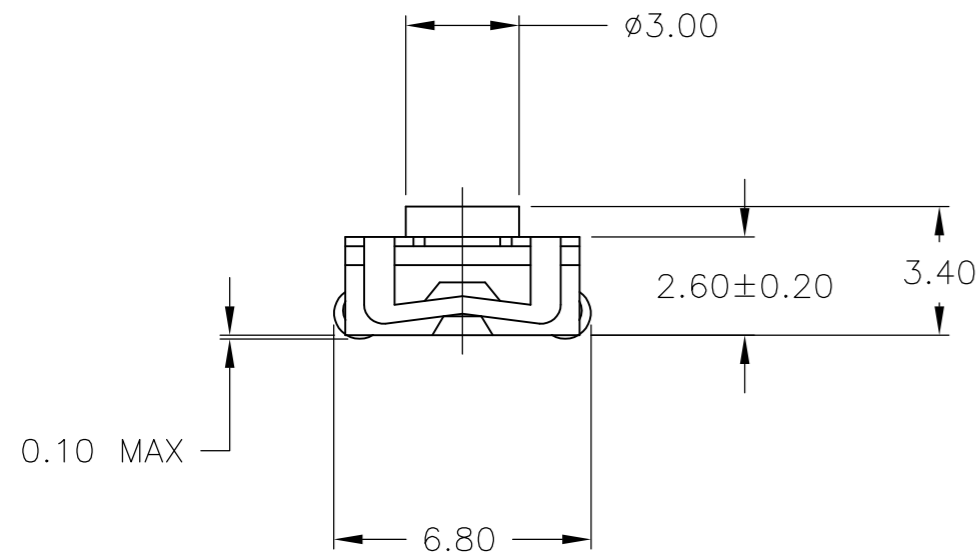
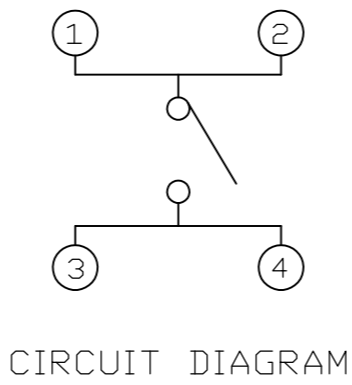
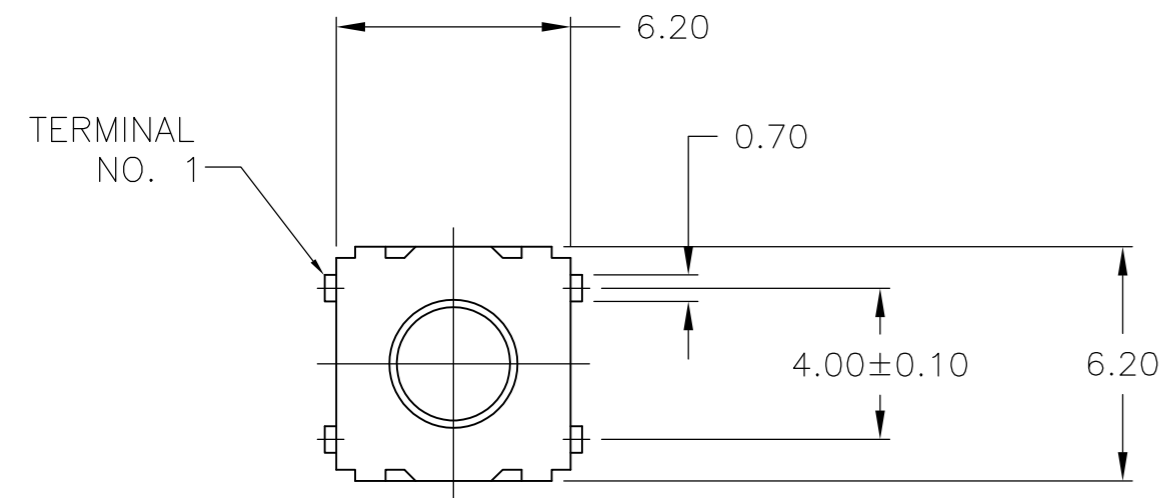
MECHANICAL:

ACTUATION FORCE, SEE BELOW
 ACTUATION TRAVEL, .25 + .2/- .1 MM
 LIFE EXPECTANCY, 100,000 CYCLES, PER EIA-448 METHODS 8 AND 9
 VIBRATION, PER EIA 364-28D, CONDITION VII, LEVEL E
 MECHANICAL SHOCK, PER EIA-364-27C, CONDITION A

ENVIRONMENTAL:

OPERATING TEMPERATURE, -35 TO +85 DEGREES C
 STORAGE TEMPERATURE, -35 TO +85 DEGREES C
 HUMIDITY AND TEMPERATURE CYCLING PER EIA-364-31B, METHOD III
 THERMAL SHOCK, PER EIA-364-32C, -10 TO +70 DEGREES C
 SOLDERABILITY, PER EIA-364-52, CLASS 2, CATEGORY 1, 95% MINIMUM COVERAGE
 RESISTANCE TO SOLDER HEAT, PER 109-201 COND B.
 TAPE AND REEL PACKAGING PER EIA 481, TAPE WIDTH 16MM, PITCH 12MM

- ALL MATERIALS AND FINISHES SHALL COMPLY WITH EU DIRECTIVE 2002/95/EC OF 27JAN2003 (ROHS)



RECOMMENDED P.C.B LAYOUT

PRELIMINARY
 NOT RELEASED FOR
 PRODUCTION

100,000	TAPE AND REEL	BLACK	160±50GF	FSM34LPJBTR	-
100,000	BULK	BLACK	160±50GF	FSM34LPJB	-
100,000	TAPE AND REEL	RED	260±50GF	FSM34LPJATR	-
100,000	BULK	RED	260±50GF	FSM34LPJA	-
100,000	TAPE AND REEL	NATURAL	160±50GF	FSM34LPJTR	147934-2
100,000	BULK	NATURAL	160±50GF	FSM34LPJ	147934-1
LIFE CYCLE	PACKAGING	ACTUATOR	FORCE	T&B PART NUMBER	PART NUMBER

THIS DRAWING IS A CONTROLLED DOCUMENT.

DWN	R BROWN	12AUG03	Tyco Electronics Corporation Harrisburg, PA 17105-3608
CHK	M SARVER	12AUG03	
APVD	M SARVER	12AUG03	
NAME	M SARVER	12AUG03	

PRODUCT SPEC: MICRO MINIATURE PB SWITCH, J-LEAD

SIZE	CAGE CODE	DRAWING NO	RESTRICTED TO
A2	00779	C=147934	-

CUSTOMER DRAWING SCALE 5:1 SHEET 1 OF 1 REV A