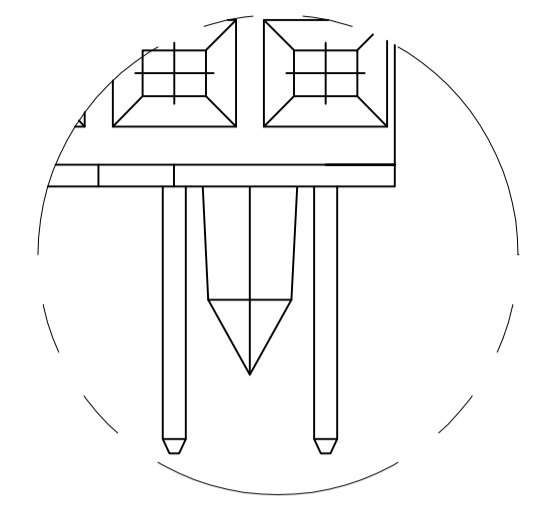
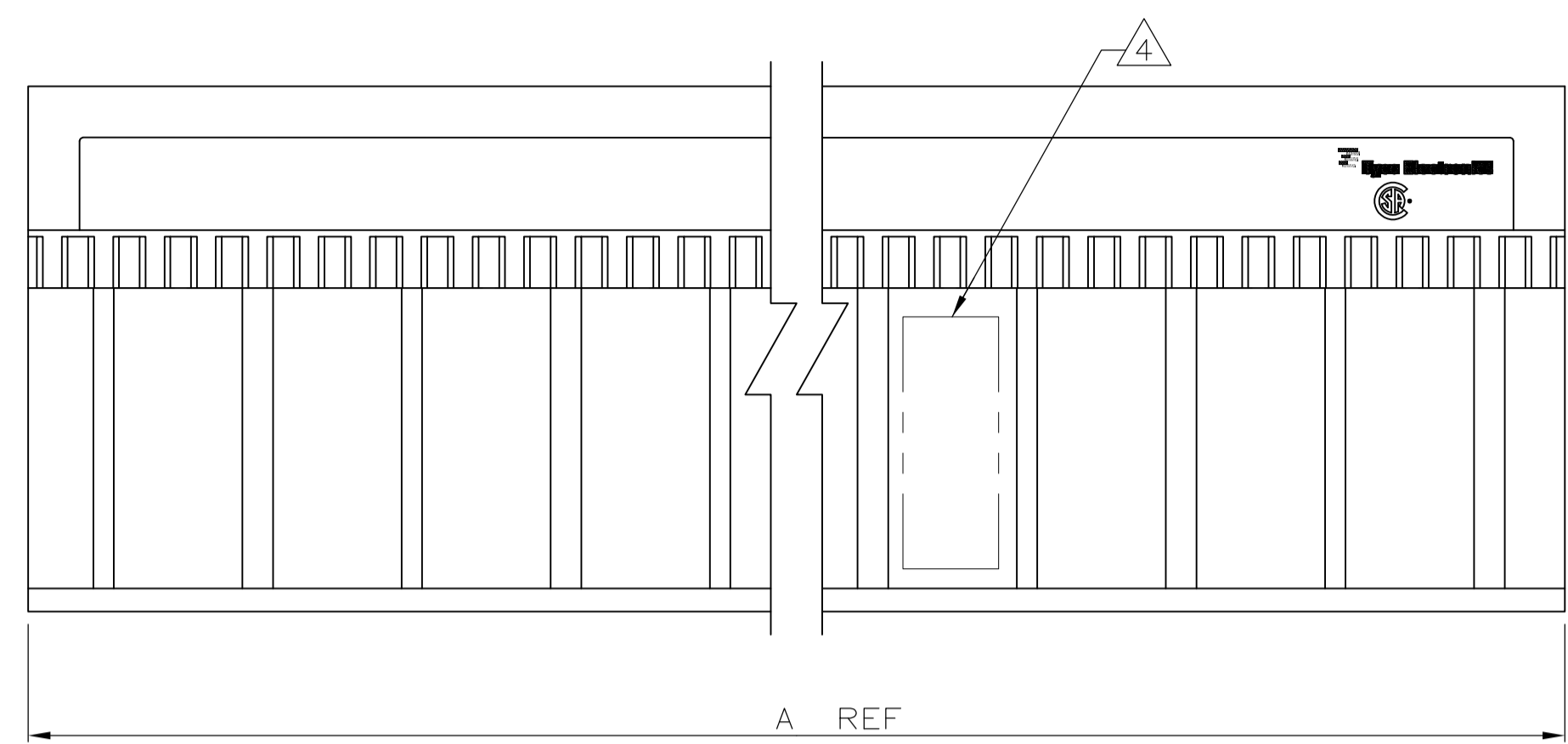
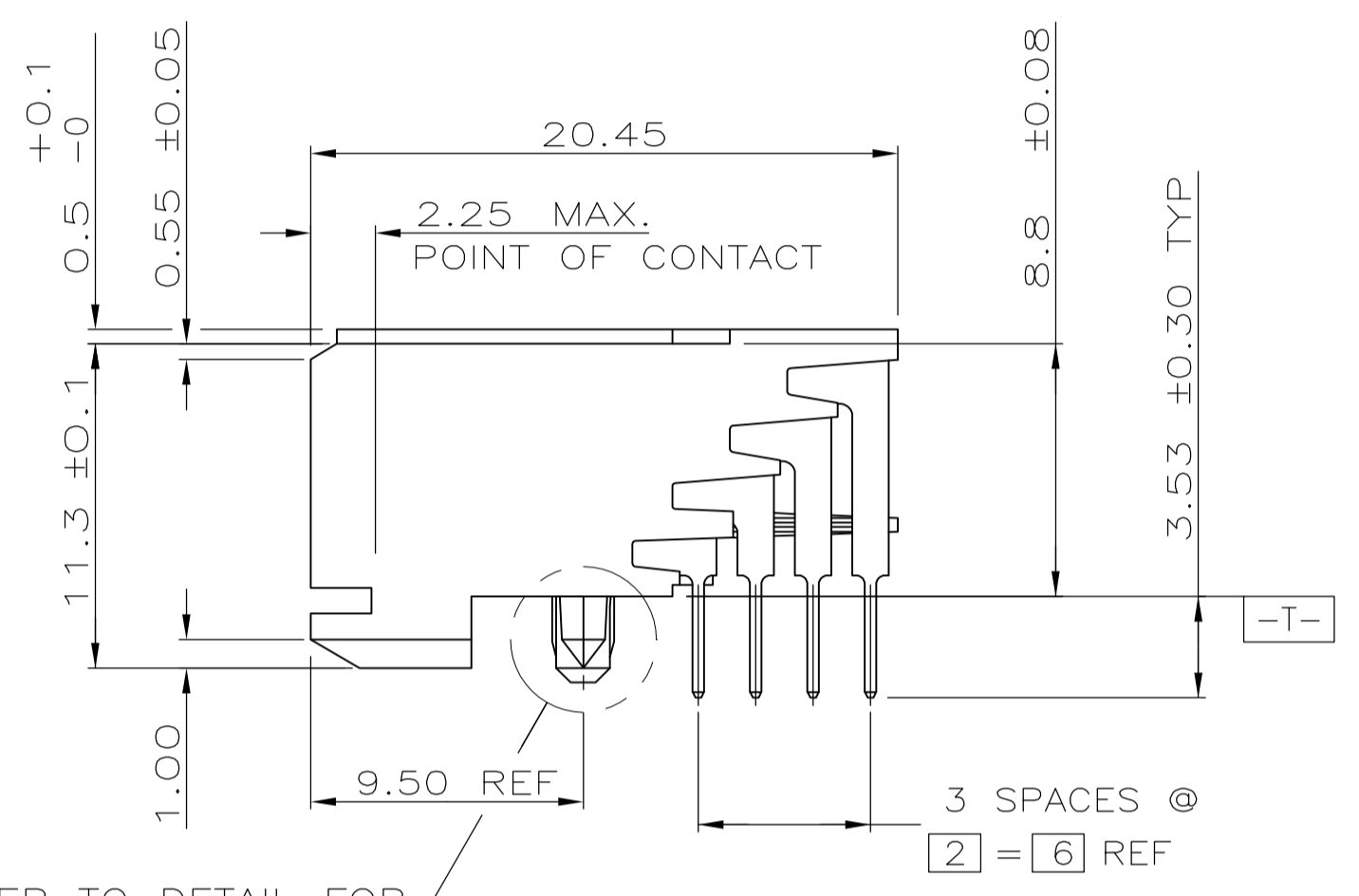
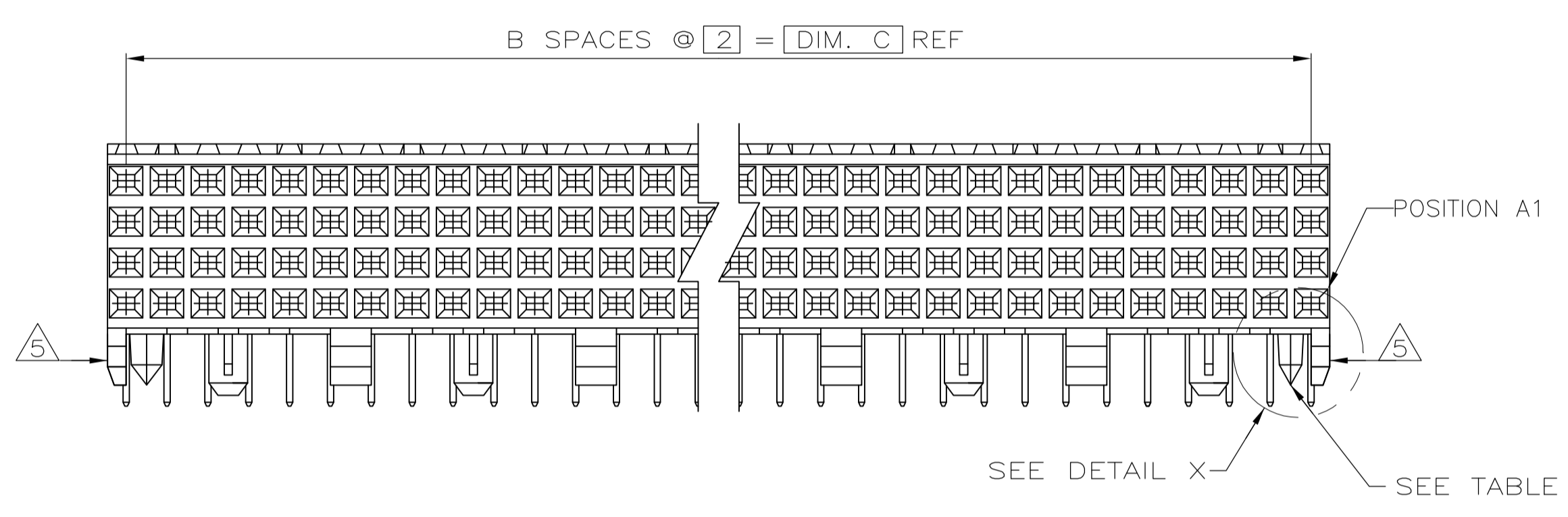


LOC	DIST	REVISIONS				
		REV	DESCRIPTION	DATE	BY	APPV
AD	00	AD2	REVISED PER ECO-08-009162	17APR08	DH	AS
		AD3	REVISED PER ECO-10-000443	18JAN10	KK	HMR

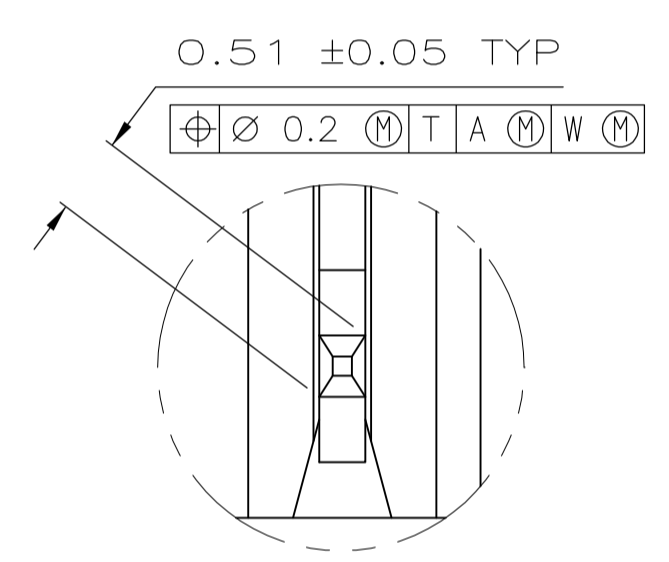


DETAIL X
SCALE 10:1

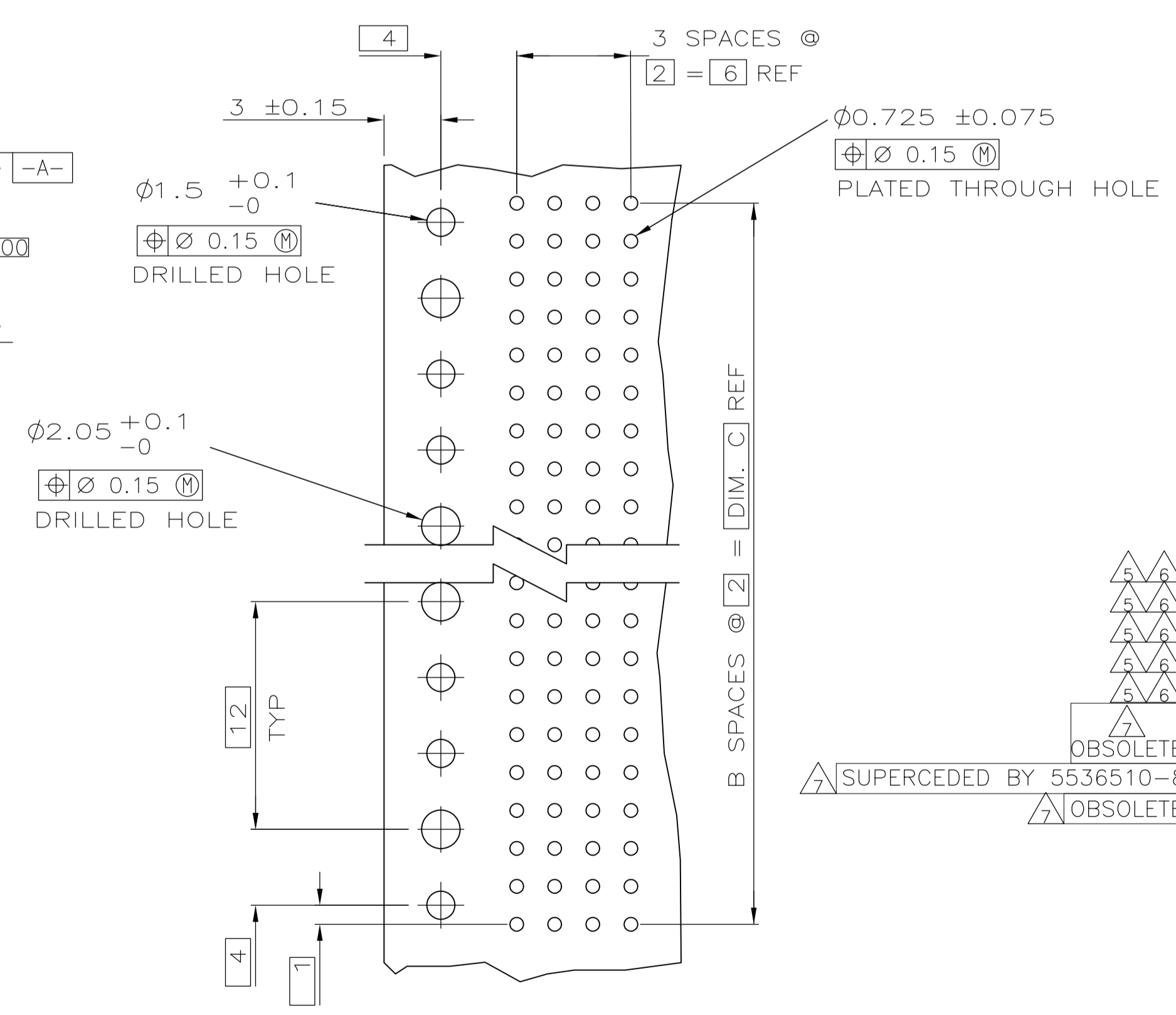
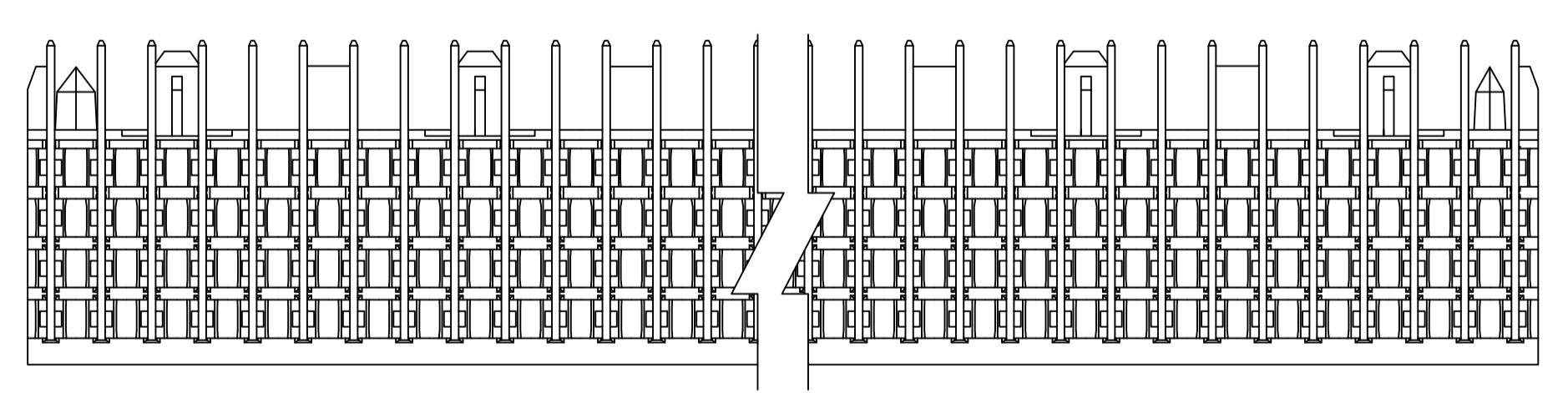
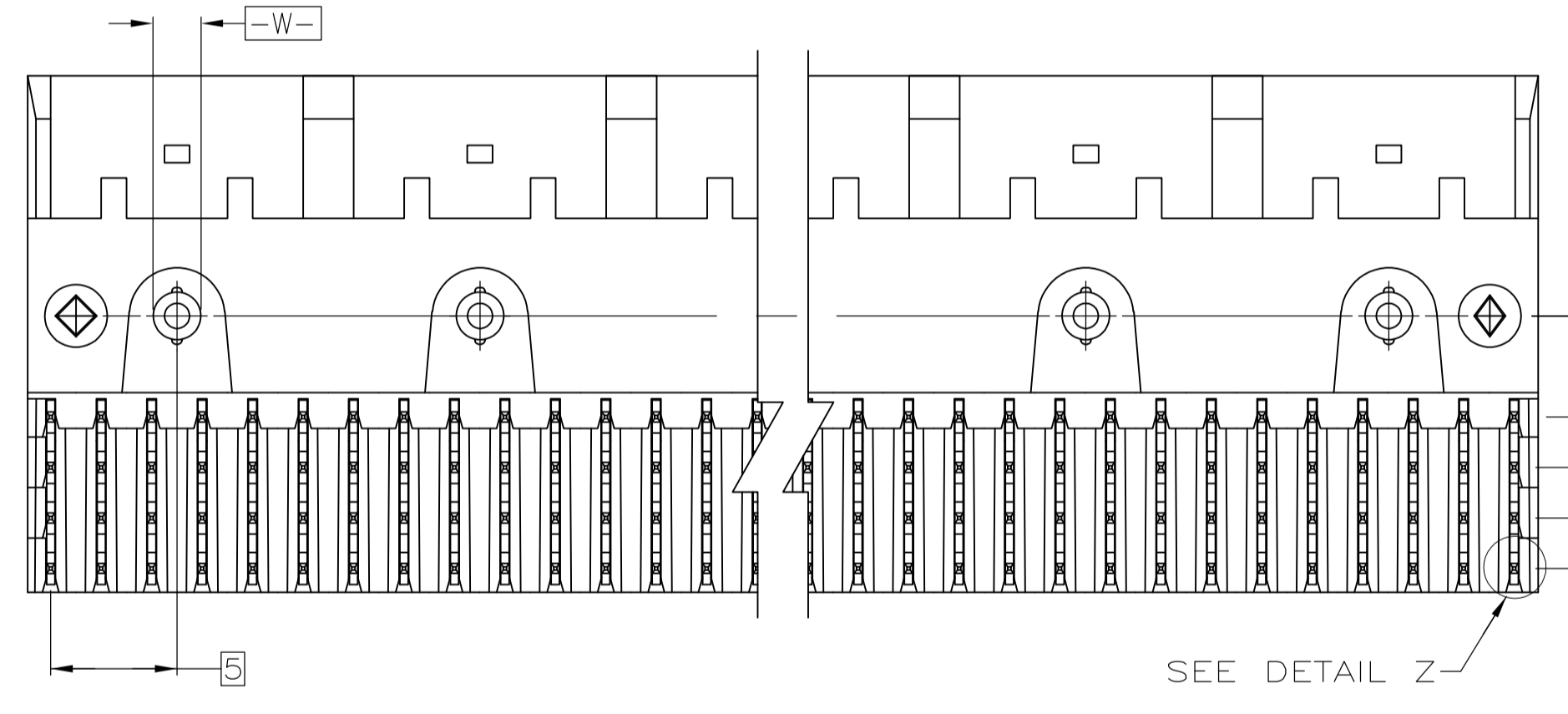
- 1 HOUSING MATERIAL: LIQUID CRYSTAL POLYMER.
COLOR: NATURAL.
- 2 CONTACT MATERIAL: PHOSPHOR-BRONZE.
- 3 CONTACT FINISH:
UNDERPLATE (ENTIRE CONTACT) -
0.00127 MIN. NICKEL
ON MATING SURFACES -
CONFORMS TO ALL TESTING SPECIFIED FOR TELCORDIA
UNCONTROLLED ENVIRONMENT
ON LEADS -
0.00381 MIN. TIN-LEAD, OVER UNDERPLATE
LUBRICATION (ENTIRE CONTACT):
SURFACE CONDITIONER PER TYCO SPEC 112-1002 AFTER PLATING.
- 4 PART MARKING PER AMP INCORPORATED SPECIFICATION 115-9009, LOCATED
APPROXIMATELY AS SHOWN.
- 5 CUSTOMIZED PART, HOUSING MOLDED WITHOUT END GUIDE LUGS.
- 6 OBSOLETE PART NUMBER.
- 7 OBSOLETE PARTS: OBSOLETE CIS STREAMLINING PER D.RENAUD/D.SINISI



REFER TO DETAIL FOR
COLD HOLD CONFIGURATION



DETAIL Z
SCALE 20:1



TYPICAL COLD HOLD
FOR ALL ASSEMBLIES

RECOMMENDED CIRCUIT PATTERN
PER IPC-D300 TYPE II, CLASS C
(COMPONENT SIDE)

POSITIONING PEGS	C	B	A	FINISH	NO OF POSN	PART NUMBER	
YES	94	47	95.88	3	192	2-536510-4	
YES	46	23	47.88	3	96	2-536510-3	
NO	34	17	35.88	3	72	1-536510-5	
NO	22	11	23.88	3	48	1-536510-4	
NO	94	47	95.88	3	192	1-536510-3	
NO	106	53	107.88	3	216	1-536510-2	
NO	70	35	71.88	3	144	1-536510-1	
NO	130	65	131.88	3	264	1-536510-0	
OBSOLETE	NO	106	53	107.88	3	216	536510-9
OBSOLETE	NO	118	59	119.88	3	240	536510-8
OBSOLETE	NO	82	41	83.88	3	168	536510-7
	NO	58	29	59.88	3	120	536510-6
	NO	70	35	71.88	3	144	536510-5
	NO	94	47	95.88	3	192	536510-4
	NO	46	23	47.88	3	96	536510-3
	NO	22	11	23.88	3	48	536510-2
	YES	10	5	11.88	3	24	536510-1

THIS DRAWING IS A CONTROLLED DOCUMENT.

DIMENSIONS: mm	TOLERANCES UNLESS OTHERWISE SPECIFIED:	DIN J. LOCONDRO 09/04/92	APPROVED S. HEADLER 01/26/93	Tyco Electronics Corporation Harrisburg, Pa 17105-3608
0 PLC ± -	1 PLC ± -	2 PLC ± .13	3 PLC ± .13	4 PLC ± -
ANGLES ± -				
MATERIAL 1 2	FINISH 3	SIZE A1	CAGE CODE 00779	DRAWING NO. 536510
CUSTOMER DRAWING		SCALE 4:1	SHEET 1 of 1	REV AD3

RECEPTACLE ASSEMBLY, SIGNAL MODULE,
Z-PACK 2mm FB, 4 ROW,
3.53mm LEAD LENGTH