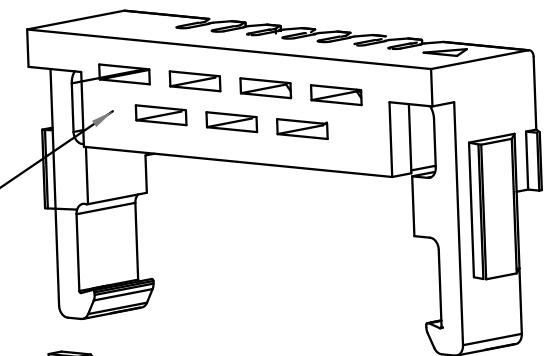
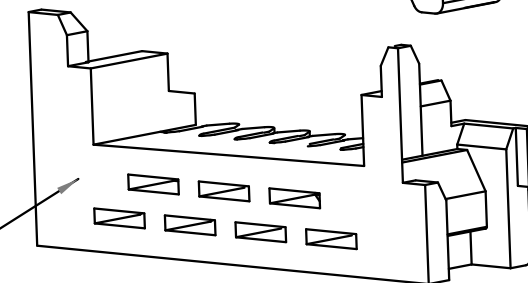


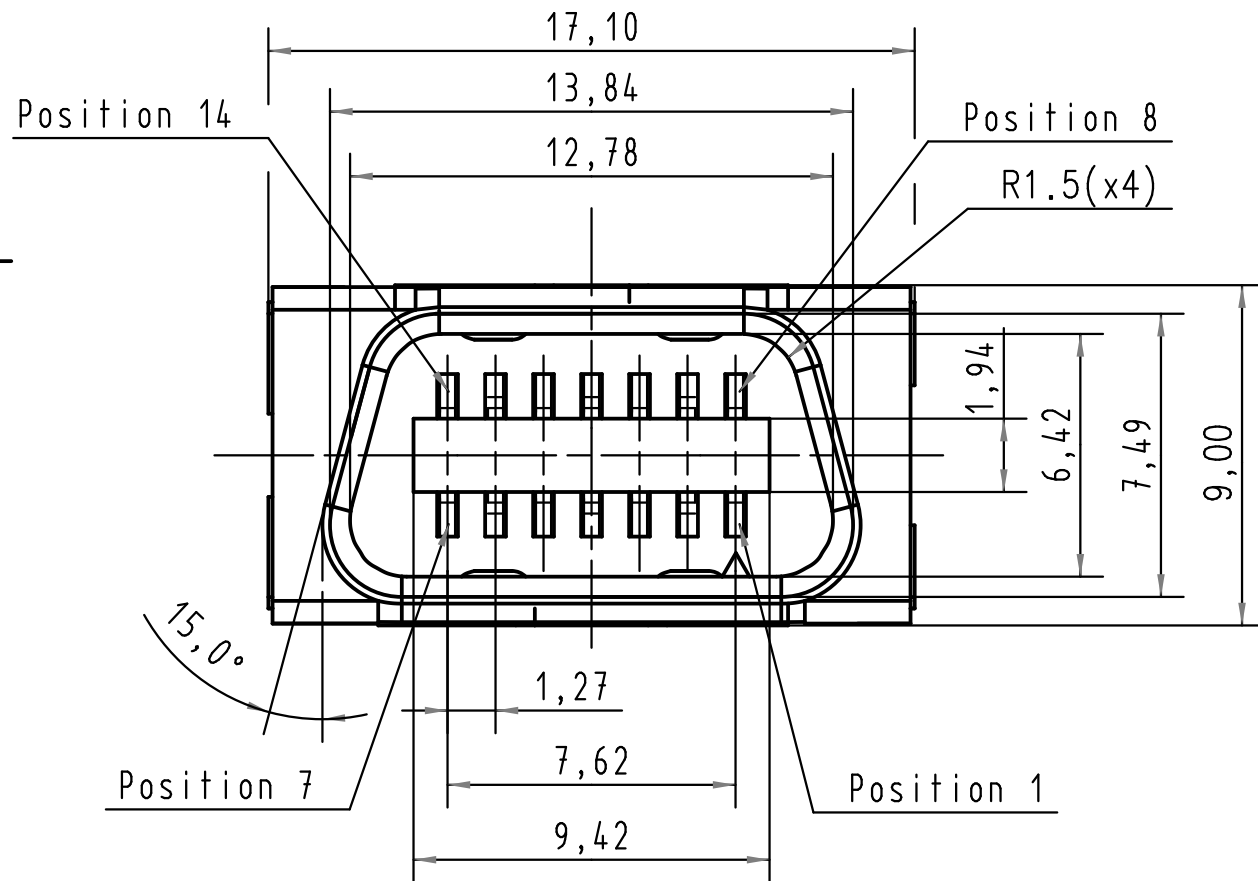
14P Har.Mik Bellow IDC Male Connector



14P COVER ONE WITH SMALL SLITS





14P COVER TWO WITH SMALL SLITS



All rights reserved

This Connector is according to IEC 61076-3-100

 All Dimensions in mm Original Size DIN A 3			Techn. Character.			Free size tolerances	
			Dat.	Name	Scale 5 : 1	<i>har.mik</i> <sup>®</sup> I/O bellow 14 poles IDC male connector for wire insulator O.D from 0.50mm to 0.75mm	
			Detail.	06-MAR-08 SW			
			Insp.				
			Stand.				
31783	06-MAR-08	SW	Zhuhai HARTING Limited 			TB 60 13 014 5205	Page 1 / 1
Mod.	Dat.	Name				Sub.	