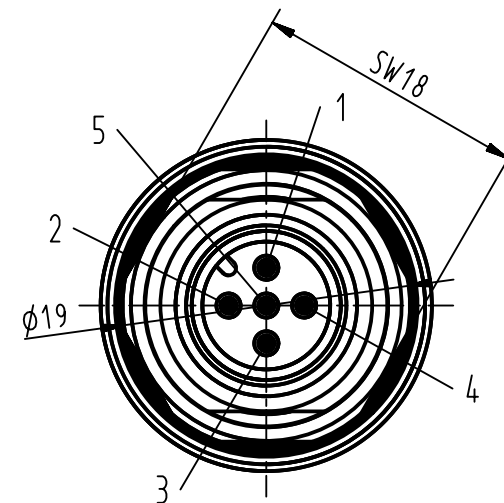
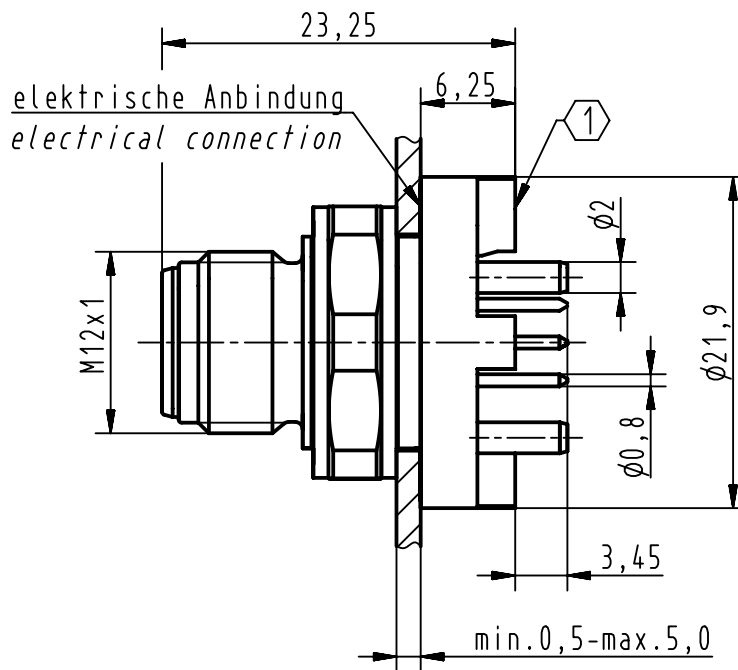
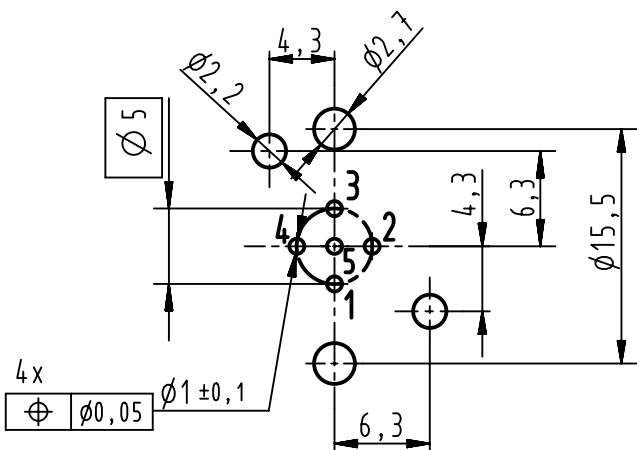
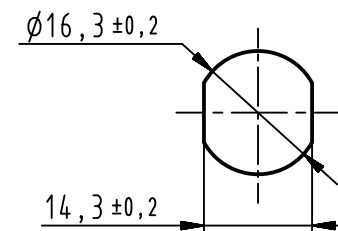
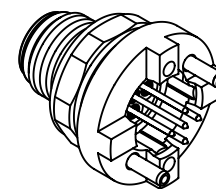


Leiterplatten Lochbild
PCB layout



Montageausschnitt
panel cut out
(1:1)



1) Leiterplattenaufgabe/top surface PCB
empfohlene Leiterplattenstärke: 1,6mm/
recommended PCB-thickness: 1,6mm

| | | | | |
|---|--|---------------------|-------------------------|--|
| | All Dimensions in mm Original Size DIN A4 | Scale 2:1 | Free size tol. | Ref. |
| | All rights reserved Department EC PD - DE | Created by DYCKC | Inspected by HARLASS | Standardisation HOFFMANN |
| HARTING Electronics GmbH D-32339 Espelkamp | Title M12 panel feedthrough/PCB straight A-cod. | Date 2012-11-26 | State Final Release | Doc-Key / ECM-Nr. 100227335/UGD/002/B 500000056709 |
| Type TB | Number 21033211520 | Rev. B | Page 1/1 | |