

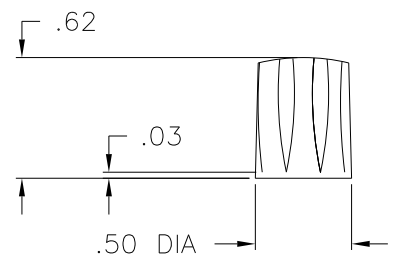
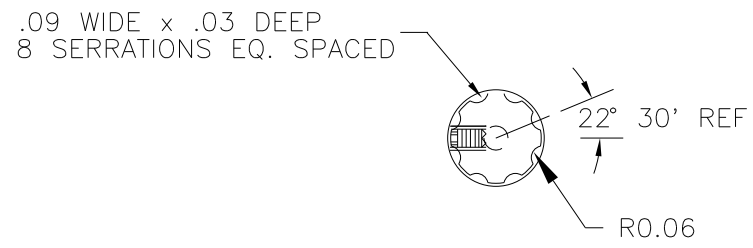
PART NAME: KNOB    SCALE: FULL    DATE: 8/5/66    DR. BY LS

DAVIES MOLDING COMPANY  
CAROL STREAM, ILLINOIS 60188

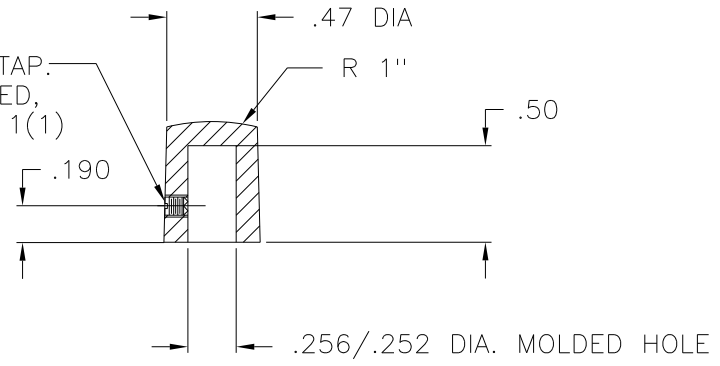
P/N 1900  
BASE PART 1900-03  
SET SCREW I0511

THIS DRAWING IS THE PROPERTY OF DAVIES MOLDING COMPANY, IS SUBMITTED SOLELY AS A DESIGN OR ENGINEERING PROJECT. WE ACCEPT NO RESPONSIBILITY WHATSOEVER FOR THE PRACTICAL APPLICATION OF THE PIECES MADE TO THIS DESIGN.

(A)



USE # 36 DR.(.106), # 6-32 TAP.  
# 6-32 X 1/8 LG. CUP POINTED,  
SLOTTED TYPE, SET SCREW I0511(1)



MATERIAL: G.P. PHENOLIC (B11)  
COLOR: BLACK

TOLERANCES: UNLESS OTHERWISE SPECIFIED	DO NOT SCALE DRAWING	-	UPDATED/HAD TOOLBOX	EV.	8/12/02
		-	CAD/REDRAWN	HD	11/22/96
DECIMALS: X.XXX ± .005 X.XX ± .015	MM: X.XX ± 0.15MM X.X ± 0.4MM	A	WAS I655 S.SCREW	NH	6/6/77
FRACTIONS ± 1/64	ANG. ± 1°	CHANGES			