

Housing - HC-D7-SML-57/O1STPG11/PA - 1416405


Please be informed that the data shown in this PDF Document is generated from our Online Catalog. Please find the complete data in the user's documentation. Our General Terms of Use for Downloads are valid (<http://phoenixcontact.com/download>)



Box mounting bases D7, with single locking latch, material: PA, cable outlets: 1, lateral, height: 25.5 mm, cable gland: with, support sleeve: no, 1x Pg11

RoHS

Key Commercial Data

Packing unit	10 STK
GTIN	 4 055626 072647
GTIN	4055626072647

Technical data

Dimensions

Height	25.5 mm
Width	40.5 mm
Length	38 mm

Ambient conditions

Degree of protection of housing (IP)	IP54
Ambient temperature (operation)	-40 °C ... 125 °C

General

Note	for contact inserts HC-D7, D8, A3, A4, B5, HS2-D7
Size	D7
Housing type	Box mounting bases
Locking type	with single locking latch
No. of cable outlets	1
Cable outlet	lateral
Screw connection	with
Type of the screw connection	1x Pg11
Housing material	PA
Housing surface material	PA, light gray

Housing - HC-D7-SML-57/O1STPG11/PA - 1416405

Technical data

General

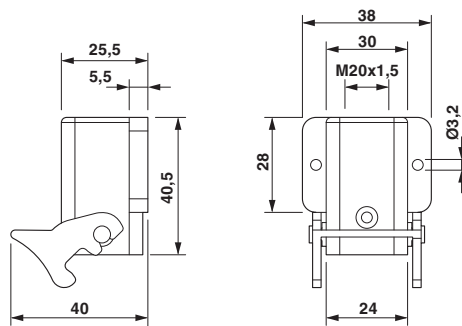
Seal material	NBR
Material lock	PA

Environmental Product Compliance

China RoHS	Environmentally friendly use period: unlimited = EFUP-e
	No hazardous substances above threshold values

Drawings

Dimensional drawing



Phoenix Contact 2018 © - all rights reserved
<http://www.phoenixcontact.com>

PHOENIX CONTACT GmbH & Co. KG
Flachsmarktstr. 8
32825 Blomberg
Germany
Tel. +49 5235 300
Fax +49 5235 3 41200
<http://www.phoenixcontact.com>