

NOTES:

1. MATERIALS: HOUSING - LIQUID CRYSTAL POLYMER (LCP)
GLASS-FILLED, UL94V-0
TERMINALS - HIGH PERFORMANCE COPPER ALLOY
2. FINISH: 30μ INCH MIN GOLD IN CONTACT AREA, SELECTIVE MATTE TIN ON PCB TAILS, NICKEL OVERALL.
3. REFER TO MOLEX PCB ROUTING GUIDE AS-76060-990 FOR ANTI PAD AND ROUTING RECOMMENDATIONS.
4. CONNECTORS SUPPLIED WITH A 2-56 UNC-2A SCREW.
5. *THESE DIMENSIONS REPRESENT THE AREA NEEDED TO ACCOMMODATE CONNECTOR INSERTION AND REPAIR ON THE PC BOARD. THIS IS REFERRED TO AS THE "CONNECTOR KEEP OUT ZONE" AND DOES NOT REPRESENT THE ACTUAL PERIMETER OF THE CONNECTOR. WHEN LAYING OUT A PC BOARD FOR CONNECTORS STACK TOGETHER, USE A 1.9mm PROGRESSION.*
6. SEE SHEETS 2 & 3 FOR PART NUMBERS AND BOARD RELATIONSHIPS.
7. FOR GROUNDED GUIDE PINS USE $\phi 3.56 \pm 0.08$ (PTH), $\phi 3.66$ (DRILL) & $\phi 6.5$ (PAD).
8. MINIMUM CIRCUIT BOARD THICKNESS: 1.0mm.
9. REFER TO MOLEX PRODUCT SPECIFICATION PS-170540-999 FOR PERFORMANCE SPECIFICATIONS AND ADDITIONAL PCB INFORMATION.
10. THIS PART CONFORMS TO CLASS B REQUIREMENTS OF MOLEX COSMETIC SPEC PS-45499-002.
11. PARTS PACKAGED PER PK-70873-759.

ADD 8 COL P/NS	EC NO: UCP2017-0603	DRWNG: MORGAN	2016/11/07	QUALITY SYMBOLS
CHKD: JAPP:TELO	2016/12/06	DESCRIPTION		
REV				

GENERAL TOLERANCES (UNLESS SPECIFIED)	
mm	INCH
4 PLACES ± ---	± ---
3 PLACES ± ---	± ---
2 PLACES ± 0.13	± ---
1 PLACE ± 0.25	± ---
0 PLACE ± ---	± ---
ANGULAR ± 2 °	
DRAFT WHERE APPLICABLE MUST REMAIN WITHIN DIMENSIONS	

DIMENSION STYLE	
MM ONLY	
DRAWN BY	DATE
JB INGHAM	2010/05/19
CHECKED BY	DATE
JLAURX	2010/05/19
APPROVED BY	DATE
JLAURX	2013/05/21
MATERIAL NO.	
SEE TABLE	
SIZE	
C	

SCALE	DESIGN UNITS	THIRD ANGLE PROJECTION
4:1	METRIC	<input checked="" type="checkbox"/>
TITLE		
IMPACT 5-PAIR 85-OHM RIGHT GUIDED BACKPLANE SALES ASSEMBLY DRAWING		
molex		
DOCUMENT NO.	SHEET NO.	
SD-170475-0003	1 OF 3	
THIS DRAWING CONTAINS INFORMATION THAT IS PROPRIETARY TO MOLEX INCORPORATED AND SHOULD NOT BE USED WITHOUT WRITTEN PERMISSION		

PART NUMBER LOGIC

170475-****

MODULE TYPE

- 5 = GUIDE RIGHT, MATTE TIN
- 9 = GUIDE RIGHT END WALL, MATTE TIN

PIN LENGTH (P)

- 3 = 4.50 (SHORT COMPLIANT, 0.46±0.05 PTH)
- 4 = 4.90 (SHORT COMPLIANT, 0.46±0.05 PTH)
- 5 = 5.50 (SHORT COMPLIANT, 0.46±0.05 PTH)
- 6 = 4.50 (MICRO COMPLIANT, 0.39±0.05 PTH)
- 7 = 4.90 (MICRO COMPLIANT, 0.39±0.05 PTH)
- 8 = 5.50 (MICRO COMPLIANT, 0.39±0.05 PTH)

OF COLUMNS

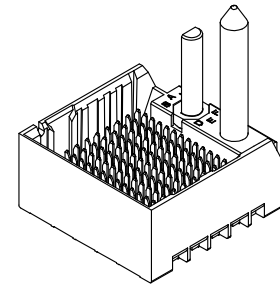
- 1 = 10 COL
- 2 = 12 COL
- 6 = 16 COL
- 8 = 8 COL

KEY ORIENTATION

- 0 = NO KEY
- 1 = A
- 2 = B
- 3 = C
- 4 = D
- 5 = E
- 6 = F
- 7 = G
- 8 = H

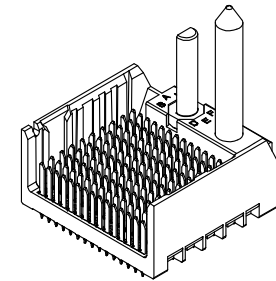
PART NUMBER CHART

MATERIAL NUMBER	# OF COLUMNS	# OF DIFF PAIR	DIM "A"	DIM "B"	GUIDE RIGHT END WALL OPTION
170475-98**	8	40	23.1	13.30	
170475-91**	10	50	26.9	17.10	
170475-92**	12	60	30.7	20.90	
170475-96**	16	80	38.3	28.50	



GUIDE RIGHT
END WALL
OPTION

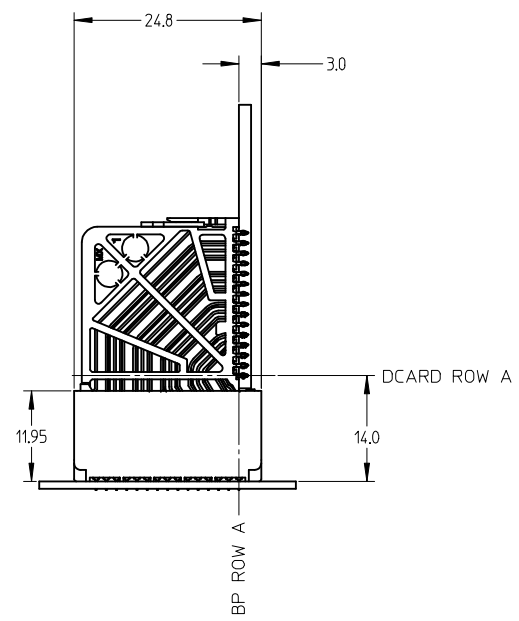
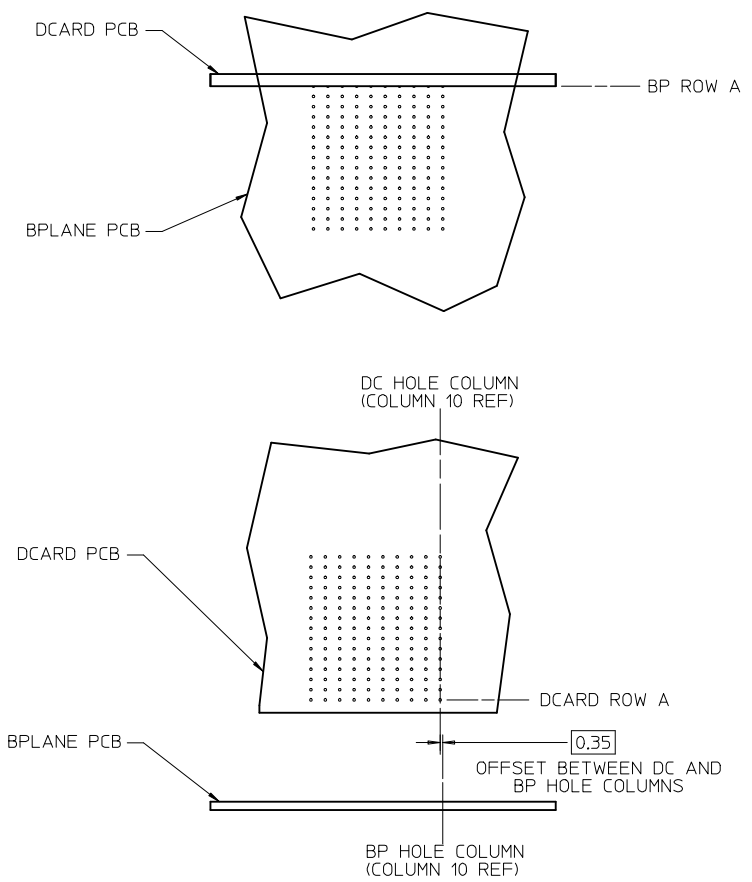
MATERIAL NUMBER	# OF COLUMNS	# OF DIFF PAIR	DIM "A"	DIM "B"	GUIDE RIGHT OPEN WALL OPTION
170475-58**	8	40	21.7	13.30	
170475-51**	10	50	25.5	17.10	
170475-52**	12	60	29.3	20.90	
170475-56**	16	80	36.9	28.50	



GUIDE RIGHT
OPEN WALL
OPTION

SEE SHEET 1 EC NO: UCP2017-0603 DRAWN BY: DRWINDMORGAN 2016/11/07 CHKD: APPR:TELO 2016/12/06 REV: D2	QUALITY SYMBOLS	GENERAL TOLERANCES (UNLESS SPECIFIED)	DIMENSION STYLE MM ONLY	SCALE 1:1	DESIGN UNITS METRIC	THIRD ANGLE PROJECTION
	▽=0	mm INCH	DRAWN BY DATE JB INGHAM 2010/05/19	TITLE IMPACT 5-PAIR 85-OHM RIGHT GUIDED BACKPLANE SALES ASSEMBLY DRAWING molex MATERIAL NO. SD-170475-0003 SHEET NO. 2 OF 3		
	▽=0	4 PLACES ± --- ± ---	CHECKED BY DATE JLAURX 2010/05/19			
	▽=0	3 PLACES ± --- ± ---	APPROVED BY DATE JLAURX 2013/05/21			
	2 PLACES ± 0.13 ± ---					
	1 PLACE ± 0.25 ± ---	ANGULAR ± 2 °	SIZE C	THIS DRAWING CONTAINS INFORMATION THAT IS PROPRIETARY TO MOLEX INCORPORATED AND SHOULD NOT BE USED WITHOUT WRITTEN PERMISSION		
	0 PLACE ± --- ± ---	DRAFT WHERE APPLICABLE MUST REMAIN WITHIN DIMENSIONS				

IMPACT 5 PAIR
BOARD RELATIONSHIPS



SEE SHEET 1 EC NO: UCP2017-0603 DRAWN: MORGAN 2016/11/07 CHKD: APPR: TELO 2016/12/06	QUALITY SYMBOLS	GENERAL TOLERANCES (UNLESS SPECIFIED)		DIMENSION STYLE MM ONLY	SCALE 3:1	DESIGN UNITS METRIC	THIRD ANGLE PROJECTION	
	DESCRIPTION	mm	INCH	DRAWN BY JB INGHAM	DATE 2010/05/19	TITLE IMPACT 5-PAIR 85-OHM RIGHT GUIDED BACKPLANE SALES ASSEMBLY DRAWING		
REV	▽=0	4 PLACES ± ---	± ---	CHECKED BY JLAURX	DATE 2010/05/19			
	▽=0	3 PLACES ± ---	± ---	APPROVED BY JLAURX	DATE 2013/05/21	MATERIAL NO. SEE TABLE		
	▽=0	2 PLACES ± 0.13	± ---	DOCUMENT NO. SD-170475-0003				
		1 PLACE ± 0.25	± ---	DRAFT WHERE APPLICABLE MUST REMAIN WITHIN DIMENSIONS		THIS DRAWING CONTAINS INFORMATION THAT IS PROPRIETARY TO MOLEX INCORPORATED AND SHOULD NOT BE USED WITHOUT WRITTEN PERMISSION		
		0 PLACE ± ---	± ---	ANGULAR ± 2 °				