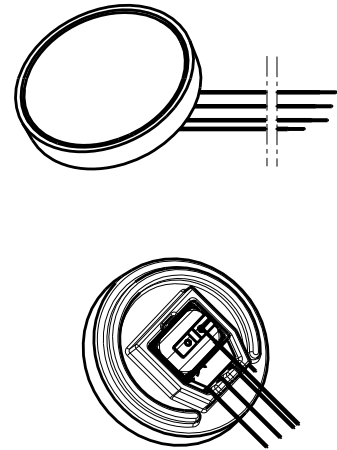
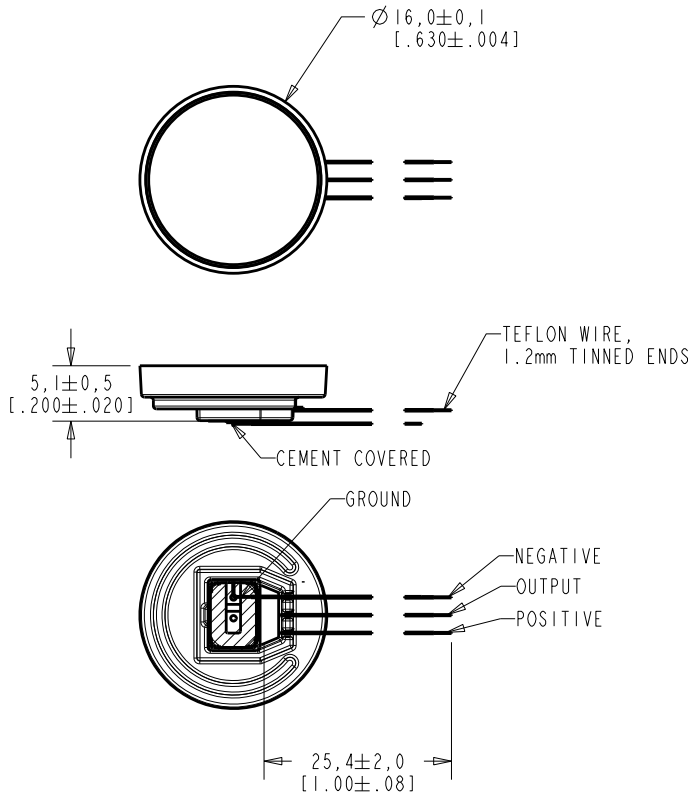


VEK-F-30470-000
SHT 1.1



WIRE COLOUR				WEIGHT GRAMS
POSITIVE	OUTPUT	NEGATIVE	GROUND	
RED	YELLOW	BLUE	GREEN	---

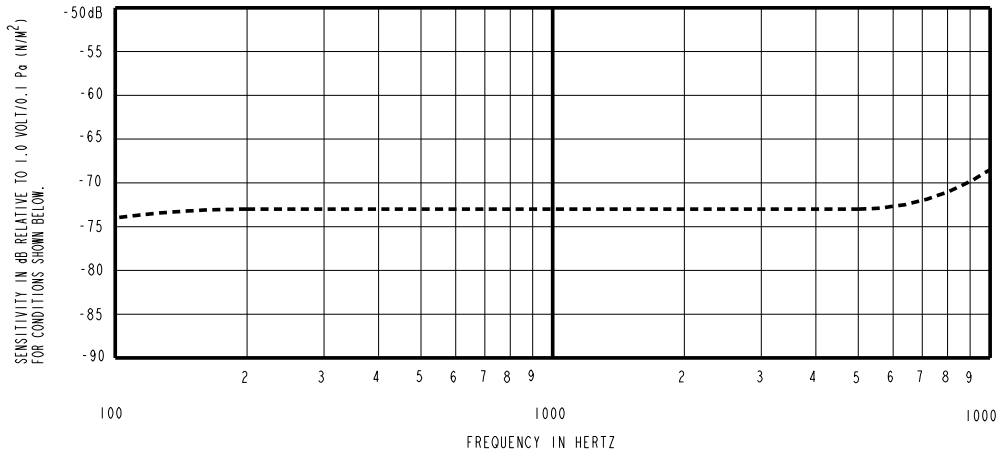
DIMENSIONS IN MILLIMETERS [INCHES]

KNOWLES ELECTRONICS
ITASCA, ILLINOIS U.S.A.

Revision	C.O. #	Implementation Date	RELEASE LEVEL	REVISION
B	C10107779	8-27-08	Active	B
A	C10107758	8-11-08		
SCALE: 2:1			DR. BY	DATE
DO NOT SCALE DRAWING			TT	8-27-08
WATERPROOF MICROPHONE & CABLE			CK. BY	DATE
			GJP	9-11-08
OUTLINE DRAWING			APP. BY	DATE
			GJP	9-11-08

VEK-F-30470-000
SHT 1.1

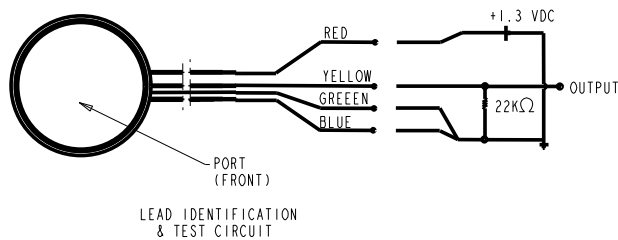
HE111ASIZE.FRM Rev: B



FREQUENCY	SENSITIVITY			DEVICE CONFORMITY	
	MIN.	NOM.	MAX.	RANGE OF DEVIATION FROM 1KHz	
100	---	-74.0	---	-4.0	+1.0
1000	-70.0	-73.0	-76.0	0.0	0.0
10000	---	-68.5	---	-0.5	+8.5

NOTES:

- MICROPHONE TO BE FUNCTION WITH 10 VDC SUPPLY.
- SENSITIVITY VALUES INDICATED ON THIS SPECIFICATION ARE VALID AT 50% HUMIDITY.
- TEST CONDITIONS:
SEAL PRODUCT TO 74 dB SPL SWEPT
SOUND FIELD CREATED BY VOICE APERTURE.
ARTIFICIAL VOICE:
B & k 4227 MOUTH SIMULATOR.
- FOR MICROPHONE CAPSULE SPEC. SEE DRAWING EK-26899-P58 SHEET 2.1.
- SURVIVES SUBMERSION IN 1m OF WATER FOR 30 MINUTES;
SENSITIVITY WITHIN 3dB OF INITIAL SENSITIVITY AFTER DRIED
FOR 30 MINUTES AT ROOM TEMPERATURE.
- CONNECT SHIELD WIRE TO NEGATIVE WIRE FOR TEST.



KNOWLES ELECTRONICS
ITASCA, ILLINOIS U.S.A.

Revision	C.O. #	Implementation Date	RELEASE LEVEL	REVISION
B	C10107779	8-27-08	Active	B
A	C10107758	8-11-08		

WHEN TEST LIMITS ARE USED TO ESTABLISH INCOMING INSPECTION ACCEPTANCE/REJECTION CRITERIA, CORRELATION OF TEST EQUIPMENT WITH KNOWLES IS ALSO REQUIRED FOR ELIMINATION OF EQUIPMENT AND TEST METHOD VARIATION		DR. BY	DATE
		TT	8-27-08
TITLE: WATERPROOF MICROPHONE & CABLE VEK-F-30470-000		CK. BY	DATE
		GJP	9-11-08
PERFORMANCE SPECIFICATION		APP. BY	DATE
		GJP	9-11-08