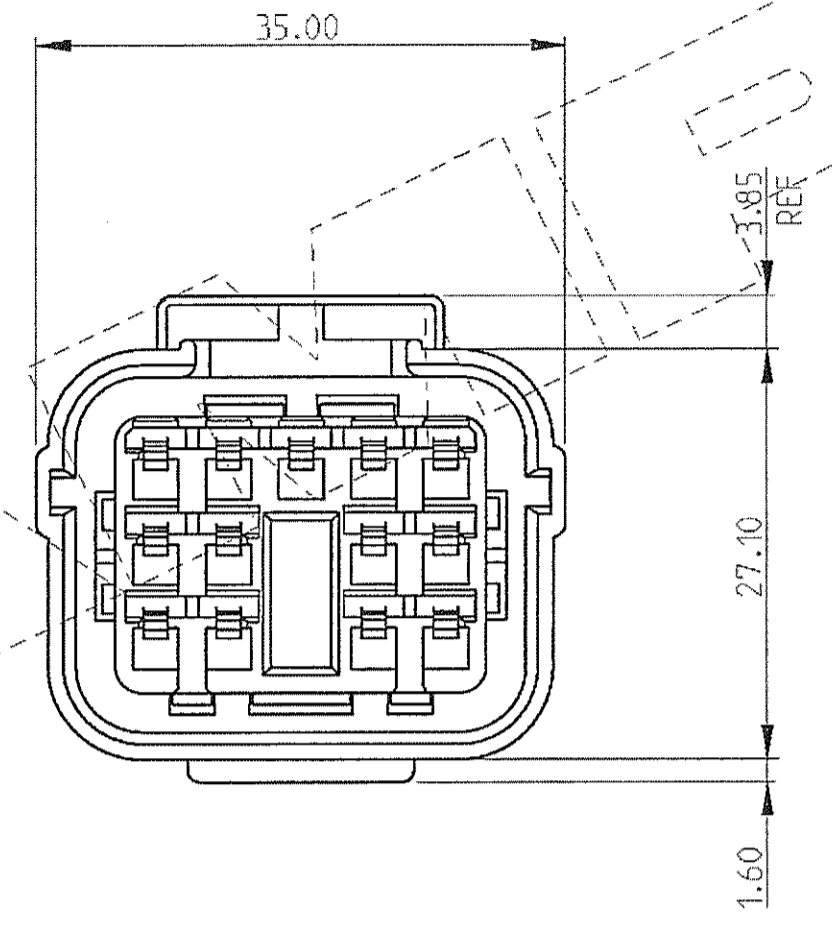
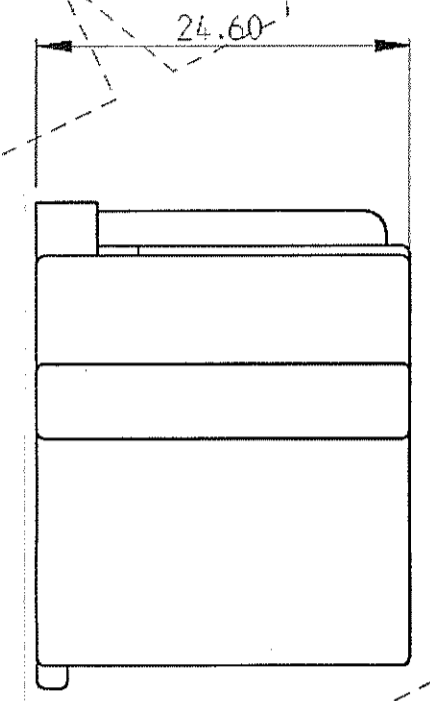
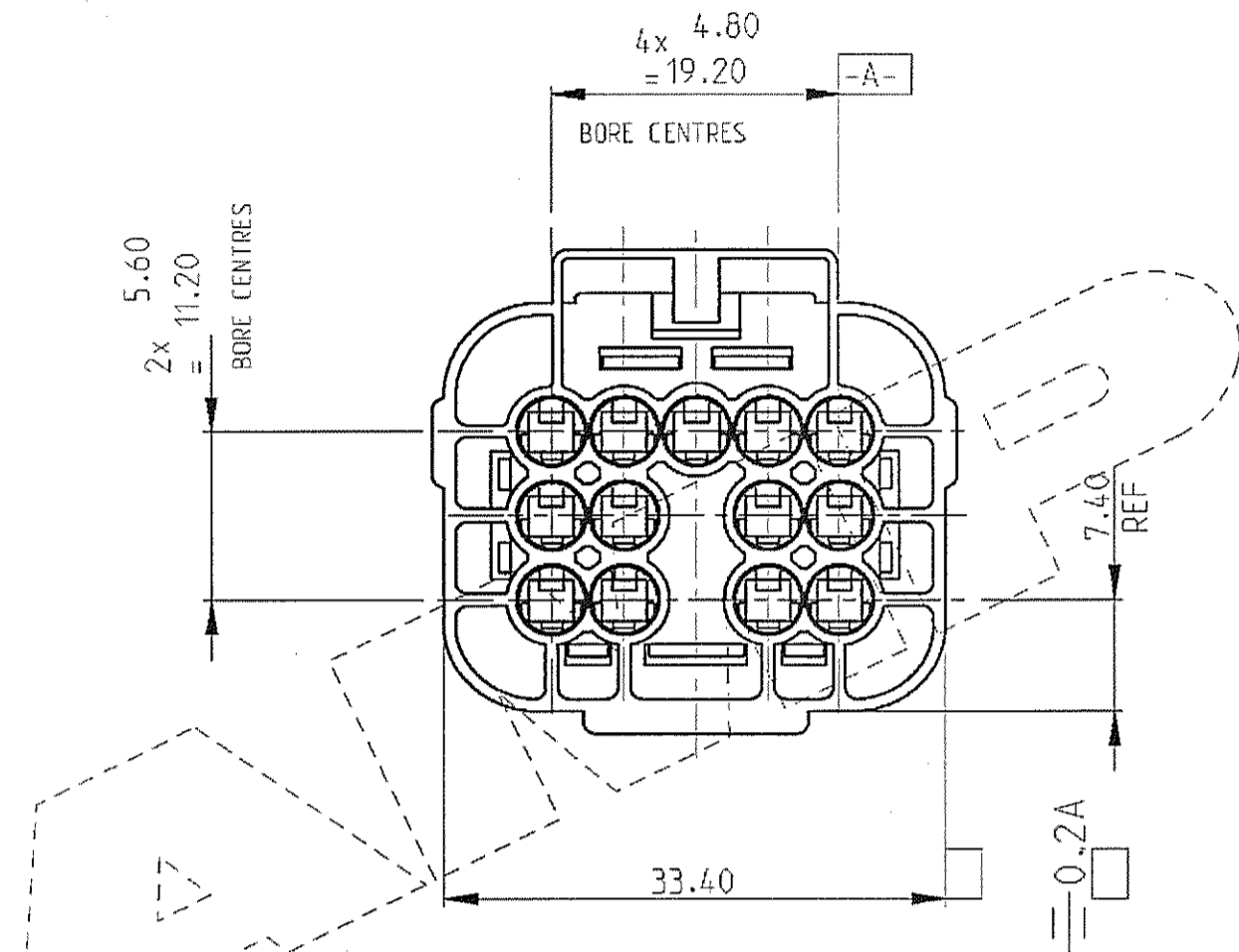
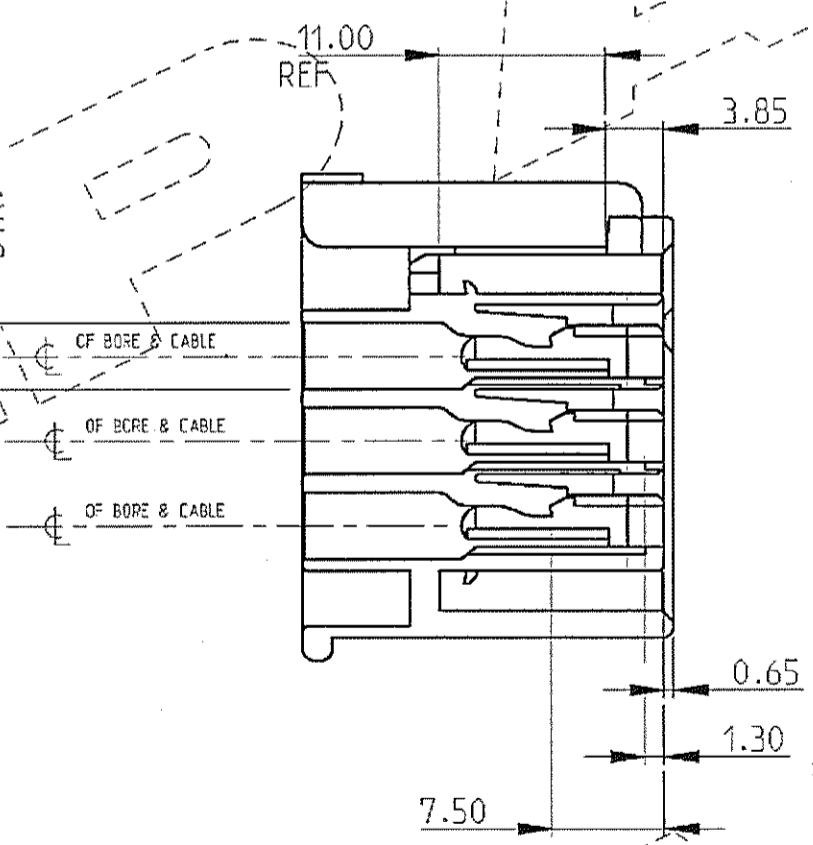


THIS DRAWING IS UNPUBLISHED. RELEASED FOR PUBLICATION 20
 © COPYRIGHT 22 BY TYCO ELECTRONICS CORPORATION. ALL RIGHTS RESERVED.

LOC	DIST	REVISIONS			
F	LTR	DESCRIPTION	DATE	OWN	APVD
D		EB00 0323 02	25SEP2002	JCM	BB
E		EBA0-0057-03	24 NOV03	MG	MG



CONTROL DIM.



COLOUR	MATERIAL	PART NUMBER
RED	NYLON 6.6	344262-4
BLUE	NYLON 6.6	344262-3
WHITE	NYLON 6.6	344262-2
BLACK	NYLON 6.6	344262-1

THIS DRAWING IS A CONTROLLED DOCUMENT FOR TYCO ELECTRONICS CORPORATION. IT IS SUBJECT TO CHANGE AND THE CONTROLLING ENGINEERING ORGANIZATION SHOULD BE CONTACTED FOR THE LATEST REVISION.

DWN: 23 OCT 87
 CHK: MICK WADE
 APVD: B.I.
 PRODUCT SPEC: -
 APPLICATION SPEC: -
 WEIGHT: -
 CUSTOMER DRAWING

tyco Electronics Tyco Electronics UK Ltd.
 Stanmore, Middlesex, HA7 4RS.

NAME: 13 WAY REC. HSG
 ECONOSEAL 3 LOW CURRENT

SIZE: A2 CAGE CODE: 00779 DRAWING NO: C=344262 RESTRICTED TO: -
 SCALE: 2 SHEET: 1 OF 1 REV: E