

注記 NOTES

1. 使用材料 MATERIAL
ハウジング HOUSING : LCP , UL94V-0
アクチュエータ ACTUATOR : PA 46 , UL94V-0
ターミナル : リン青銅 (t=0.12) , 錫・ビスマス (2%) , ニッケル下地
TERMINAL : PHOSPHOR BRONZE , TIN- 2% BISMUTH OVER NICKEL PLATING.
金具 : リン青銅 (t=0.2) , 錫メッキ, ニッケル下地
STOPPER : PHOSPHOR BRONZE , TIN OVER NICKEL PLATING.
2. ソルダーテール半田付け面のズレ量は、基準面 R に対し、
上方向 OMAX、下方向 0.1MAX. とする。
又、相互のバラつき量は 0.1MAX. とする。
MISALIGNMENT OF SOLDER TAILS AND FITTING NAILS FROM R
UPPER DIRECTION : 0 MAX., LOWER DIRECTION : 0.1 MAX.
OFFSET BETWEEN SOLDER TAILS AND FITTING NAILS : 0.1 MAX.
3. 一般公差 : ±0.3
GENERAL TOLERANCES : ±0.3
4. 本製品は 54809-***27 の鉛フリー品である。
THIS PRODUCT IS LEAD FREE OF 54809-***27

12.0	11.4	10.8	14.0	54809-3998	54809-3928	39
9.6	9.0	8.4	11.6	54809-3198	54809-3128	31
D	C	B	A	EMBOSSED TAPE		MATERIAL NO.
				ORDER No. オート番号		CKT.

				54809-***28	MODEL NO.
				DESIGN UNITS	THIRD ANGLE PROJECTION
				METRIC	

0.3 FPC CONN E/O
HSG ASSY (H=1.3)
-LEAD FREE-

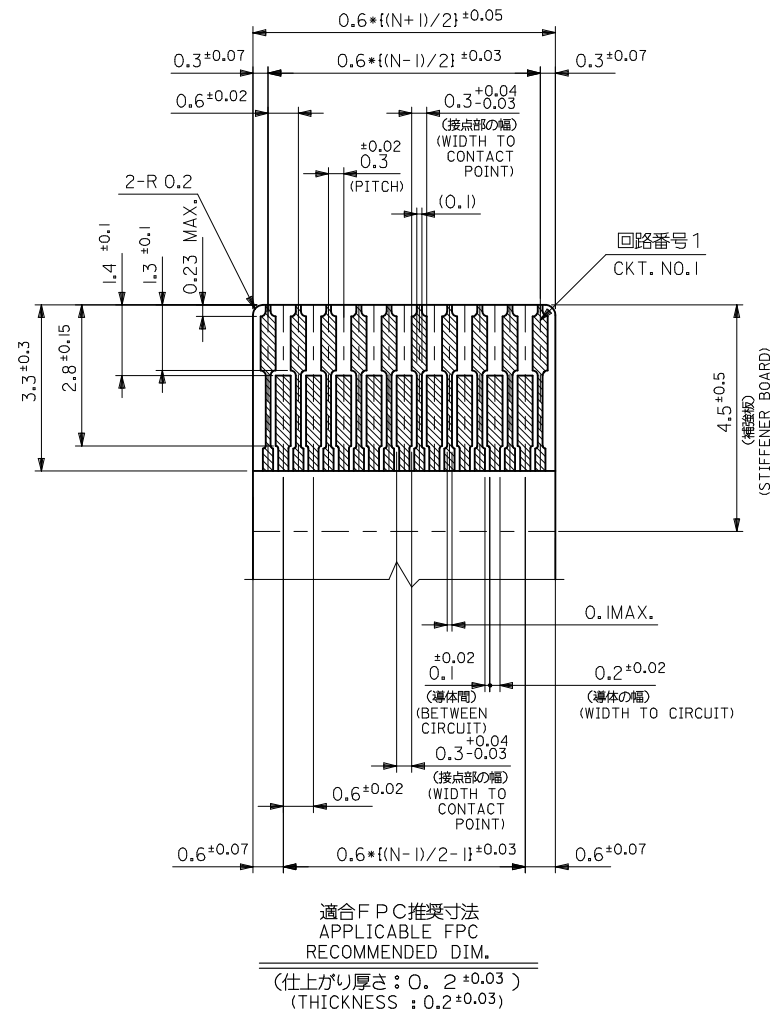
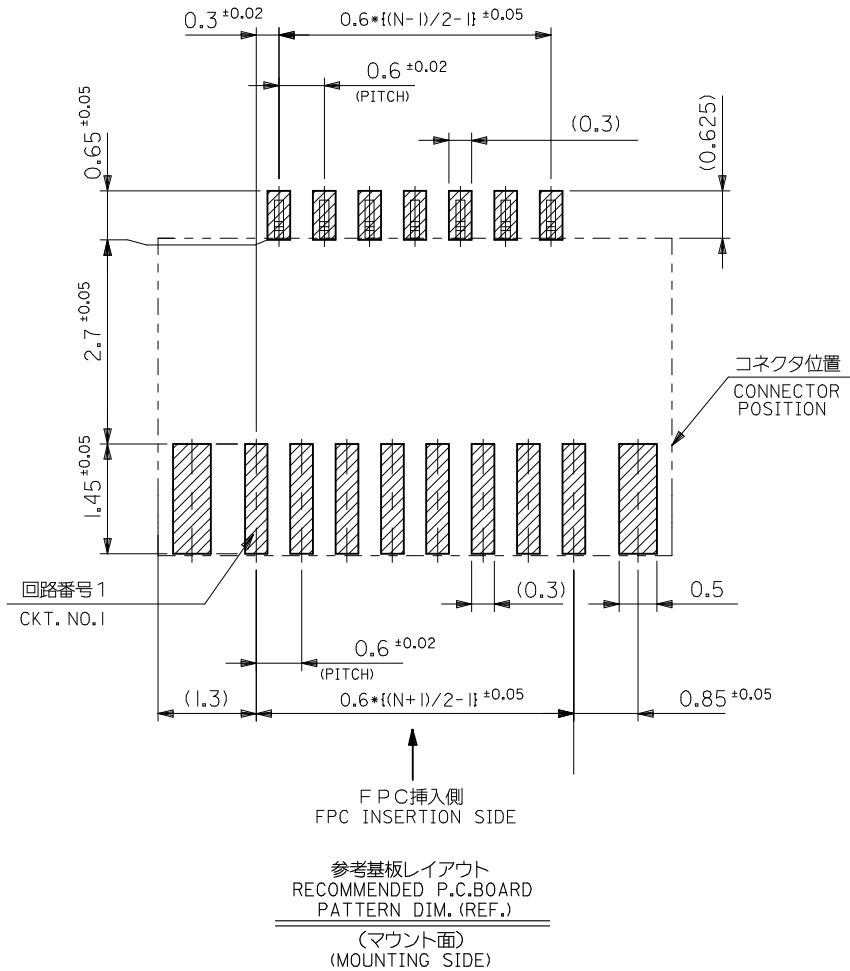
molex

SEE TABLE SD-54809-036 1 OF 2

THIS DRAWING CONTAINS INFORMATION THAT IS PROPRIETARY TO MOLEX INCORPORATED AND SHOULD NOT BE USED WITHOUT WRITTEN PERMISSION

REVISED EC NO: J2014-1477 DRWN: YOSHII 2014/03/31 CHKD: YKOBAYASHI 02 2014/03/31 APPR: YNOGAWA 2014/04/17	GENERAL TOLERANCES (UNLESS SPECIFIED)	
	10 UNDER	± ---
	10 OVER 30 UNDER	± ---
	30 OVER	± ---
ANGULAR	± --- °	
DRAFT WHERE APPLICABLE MUST REMAIN WITHIN DIMENSIONS		

DIMENSION STYLE		SCALE
MM ONLY		---
DRAWN BY	DATE	TITLE
M. NABE I	'03/12/22	
CHECKED BY	DATE	
K. TOJO	'03/12/22	
APPROVED BY	DATE	
M. SASAO	'03/12/22	
MATERIAL NO.	DOCUMENT NO.	
	SEE TABLE	
SIZE	A3	



FPCについて:

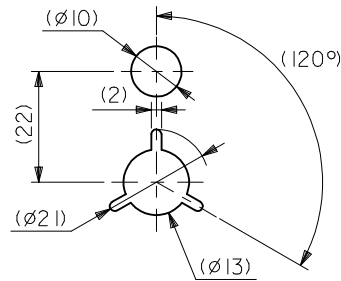
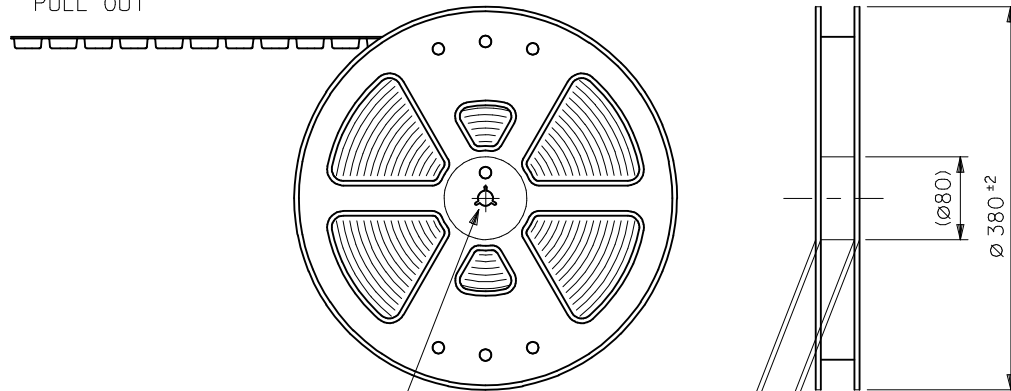
打抜き方向は、導体側から補強板側を推奨いたします。
 補強フィルム材質は、ポリイミドを推奨いたします。
 接着剤は、熱硬化接着剤を推奨いたします。

ABOUT FPC :
 RECOMMENDED PUNCHER DIRECTION : FROM CONDUCTOR SIDE TO STIFFENER BOARD SIDE.

RECOMMENDED MATERIAL :
 STIFFENER FILM : POLYIMIDE
 BONDING AGENT : THERMOSETTING BONDING AGENT

REVISED EC NO: J2014-1477 DRWN:AYOSHI I 01 2014/03/31 CHKD:YKOBAYASHI 02 2014/03/31 APPR:YNOGAWA 2014/04/17	DESCRIPTION	GENERAL TOLERANCES (UNLESS SPECIFIED)		DIMENSION STYLE MM ONLY		SCALE ---	DESIGN UNITS METRIC	THIRD ANGLE PROJECTION		
		10 UNDER	± ---	DRAWN BY M. NABEI	DATE '03/12/22	TITLE 0.3 FPC CONN E/O HSG ASSY (H=1.3) -LEAD FREE-				
		10 OVER 30 UNDER	± ---	CHECKED BY K. TOJO	DATE '03/12/22					
		30 OVER	± ---	APPROVED BY M. SASAO	DATE '03/12/22					
REV	ANGULAR ± --- °	DRAFT WHERE APPLICABLE MUST REMAIN WITHIN DIMENSIONS		MATERIAL NO. SEE SHEET 1		DOCUMENT NO. SD-54809-036		SHEET NO. 2 OF 2		
		SIZE A3	THIS DRAWING CONTAINS INFORMATION THAT IS PROPRIETARY TO MOLEX INCORPORATED AND SHOULD NOT BE USED WITHOUT WRITTEN PERMISSION							

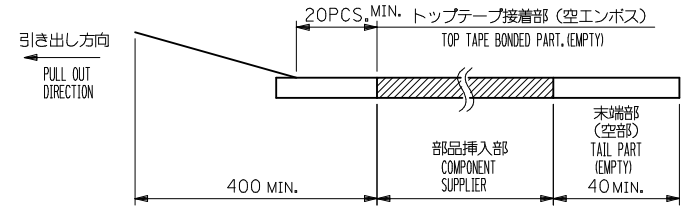
引き出し方向
PULL OUT



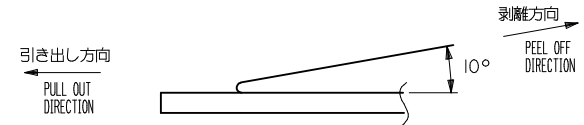
DETAIL "F"

注記 NOTES

- 製品詳細寸法については、図面SD-54809-036を参照下さい。
RE DETAILED DIMENSION, SEE SD-54809-036.
- 梱包数量：2500個/リール
NUMBER OF CONNECTORS : 2500PCS/REEL
- リードテープ長さ LEAD TAPE LENGTH

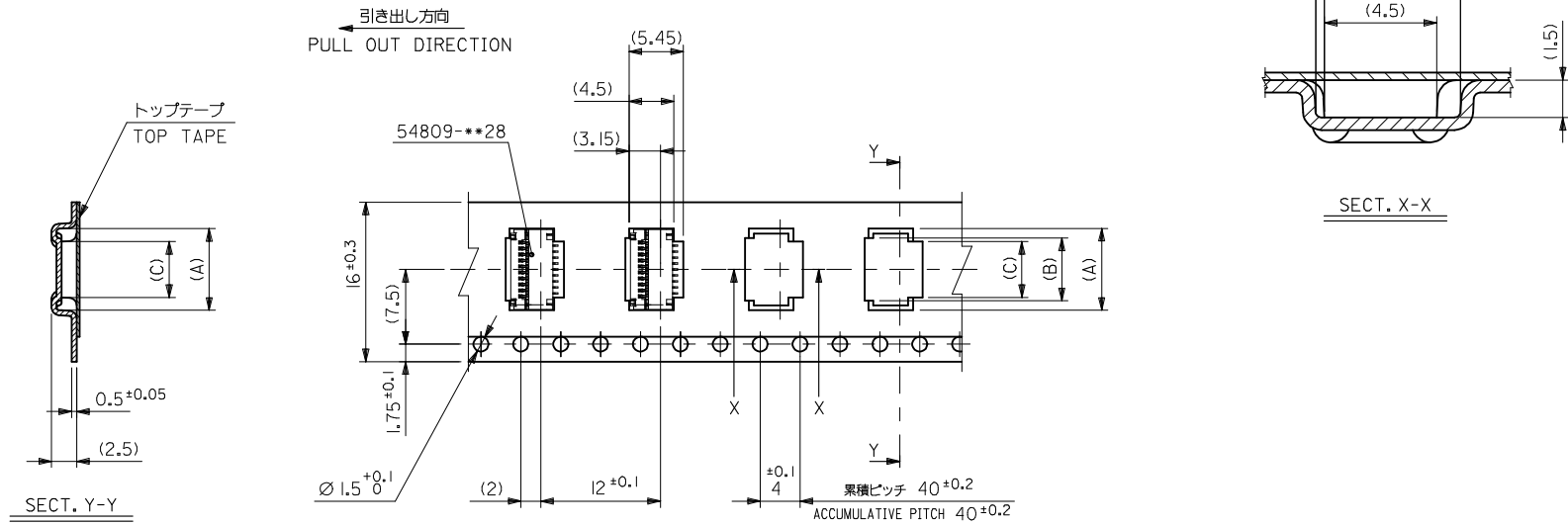


- トップテープの剥離強度：0.1 ~ 1.3N (10 ~ 130gf)
(剥離方向は下図参照)
尚、本規格値は出荷時に適用。(但し、輸送時に剥離が発生しないこと。)
PEELING OFF FORCE OF TOP TAPE : 0.1 ~ 1.3N (10 ~ 130gf)
(PEELING DIRECTION AS SHOWN IN FOLLOWING FIG.)
THIS REQUIREMENT SHOULD BE APPLIED AT SHIPMENT.
PEEL OFF SHOULD NOT BE ALLOWED, DURING TRANSPORTATION.



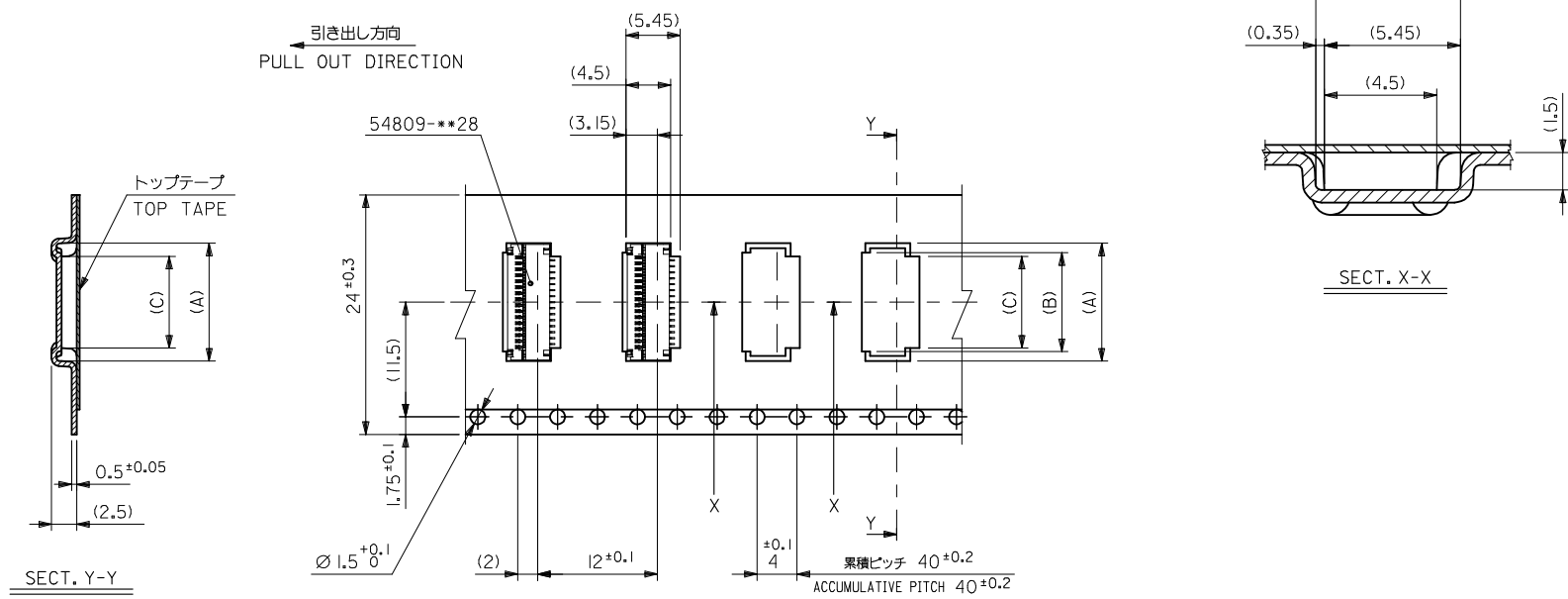
- 材料 (MATERIAL)
キャリアテープ (CARRIER TAPE) : ポリプロピレン (POLYPROPYLENE)
トップテープ (TOP TAPE) : PET, PE, PEF
リール (REEL) : ポリスチレン (PS) <リサイクル材を含む>
POLYSTYRENE(PS) <RECYCLE MATERIAL CONTAINED>
- 本製品は54809-***91の鉛フリー品である。
THIS PRODUCT IS LEAD FREE OF 54809-***91

REVISED EC NO: J2014-1477 DRWN:AYOSHI I 01 2014/03/31 CHKD:YKOBAYASHI 02 2014/03/31 APPR:YNOGAWA 2014/04/17	GENERAL TOLERANCES (UNLESS SPECIFIED)		DIMENSION STYLE MM ONLY		SCALE ---	54809-***98	MODEL NO.
	10 UNDER	± ---	DRAWN BY M. NABE I	DATE '03/12/22	TITLE	THIRD ANGLE PROJECTION	
	10 OVER 30 UNDER	± ---	CHECKED BY K. TOJO	DATE '03/12/22	EMBSTP PKG FOR 0.3 FPC CONN E/O -LEAD FREE-		
	30 OVER	± ---	APPROVED BY M. SASAO	DATE '03/12/22	molex		
	ANGULAR ± --- °	MATERIAL NO. SEE TABLE		DOCUMENT NO. SD-54809-037	SHEET NO. 1 OF 4		
	DRAFT WHERE APPLICABLE MUST REMAIN WITHIN DIMENSIONS	THIS DRAWING CONTAINS INFORMATION THAT IS PROPRIETARY TO MOLEX INCORPORATED AND SHOULD NOT BE USED WITHOUT WRITTEN PERMISSION					



16mm幅キャリアテープ
16mm WIDTH CARRIER TAPE

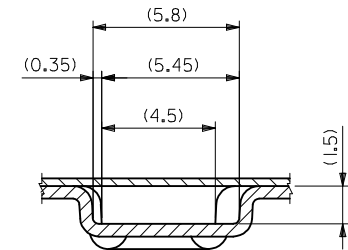
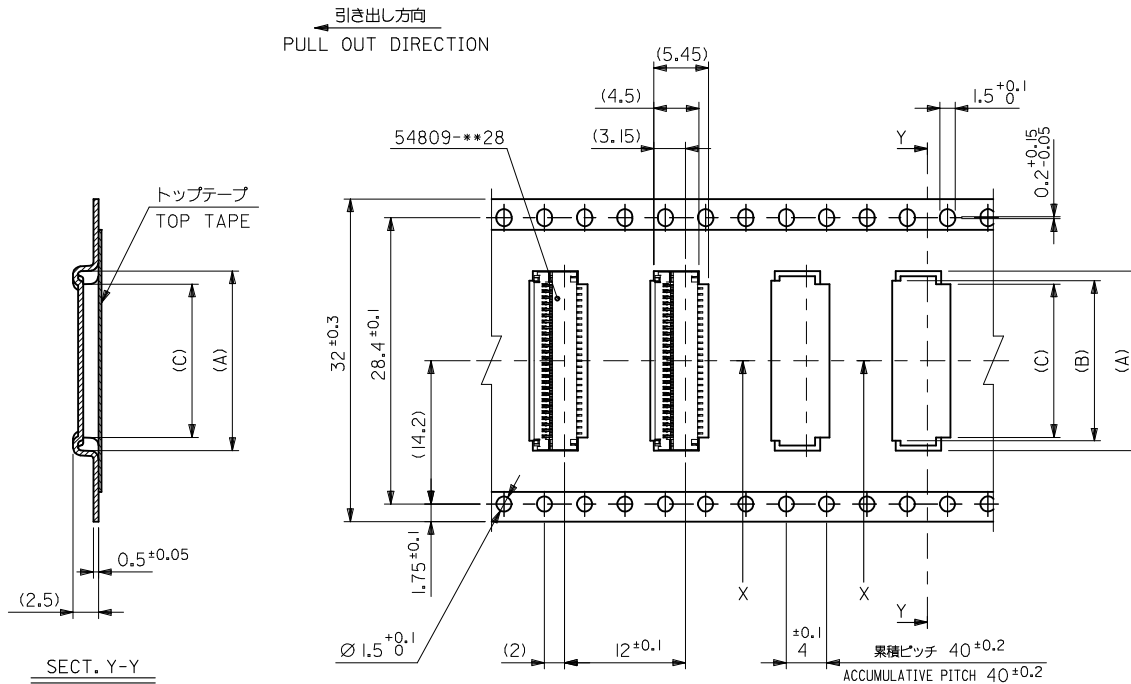
REVISED EC NO: J2014-1477 DRWN:AYOSHI 2014/03/31 CHKD:YKOBAYASHI 2014/03/31 APPR:YNOGAWA 2014/04/17	DESCRIPTION	GENERAL TOLERANCES (UNLESS SPECIFIED)		DIMENSION STYLE MM ONLY		SCALE ---	54809-***98	MODEL NO.
		10 UNDER	±---	DRAWN BY M. NABEI	DATE '03/12/22	TITLE	DESIGN UNITS METRIC	THIRD ANGLE PROJECTION
		10 OVER 30 UNDER	±---	CHECKED BY K. TOJO	DATE '03/12/22	EMBSTP PKG FOR 0.3 FPC CONN E/O -LEAD FREE- molex	DOCUMENT NO. SD-54809-037	SHEET NO. 2 OF 4
		30 OVER	±---	APPROVED BY M. SASAO	DATE '03/12/22			
C	REV	ANGULAR ±---° DRAFT WHERE APPLICABLE MUST REMAIN WITHIN DIMENSIONS	MATERIAL NO. SEE TABLE	THIS DRAWING CONTAINS INFORMATION THAT IS PROPRIETARY TO MOLEX INCORPORATED AND SHOULD NOT BE USED WITHOUT WRITTEN PERMISSION				



24mm幅キャリアテープ
24mm WIDTH CARRIER TAPE

24	29.4	25.4	11.6	12.3	14.2	54809-3998	39
キャリアテープ幅 CARRIER TAPE WIDTH	E	D	C	B	A	54809-3198	31
						MATERIAL NO.	極数 CKT.

REVISED EC NO: J2014-1477 DRWN: AYOSHI I 01 2014/03/31 CHKD: YKOBAYASHI 02 2014/03/31 APPR: YNOGAWA 2014/04/17	GENERAL TOLERANCES (UNLESS SPECIFIED)	DIMENSION STYLE MM ONLY	SCALE ---	DESIGN UNITS METRIC	54809-**98 MODEL NO.	THIRD ANGLE PROJECTION	
	10 UNDER ± --- 10 OVER 30 UNDER ± --- 30 OVER ± ---	DRAWN BY M. NABEI	DATE '03/12/22	TITLE EMBSTP PKG FOR 0.3 FPC CONN E/O -LEAD FREE-			
	ANGULAR ± --- ° DRAFT WHERE APPLICABLE MUST REMAIN WITHIN DIMENSIONS	CHECKED BY K. TOJO	DATE '03/12/22	molex			
		APPROVED BY M. SASAO	DATE '03/12/22	MATERIAL NO. SEE TABLE	DOCUMENT NO. SD-54809-037	SHEET NO. 3 OF 4	



SECT. X-X

32mm幅キャリアテープ
32mm WIDTH CARRIER TAPE

REVISED	EC NO: J2014-1477	DESCRIPTION
	DRWN: AYOSHI 2014/03/31	
	CHKD: YKOBAYASHI 2014/03/31	
	APPR: YNOGAWA 2014/04/17	

GENERAL TOLERANCES (UNLESS SPECIFIED)	
10 UNDER	± ---
10 OVER 30 UNDER	± ---
30 OVER	± ---
ANGULAR ± --- °	
DRAFT WHERE APPLICABLE MUST REMAIN WITHIN DIMENSIONS	

DIMENSION STYLE	
MM ONLY	
DRAWN BY	DATE
M. NABEI	'03/12/22
CHECKED BY	DATE
K. TOJO	'03/12/22
APPROVED BY	DATE
M. SASAO	'03/12/22
MATERIAL NO.	
SEE TABLE	
SIZE	A3

54809-**-98	MODEL NO.
DESIGN UNITS	THIRD ANGLE PROJECTION
METRIC	
TITLE	
EMBSTP PKG FOR 0.3 FPC CONN E/O -LEAD FREE-	
molex	
MATERIAL NO.	DOCUMENT NO.
SEE TABLE	SD-54809-037
SHEET NO.	4 OF 4