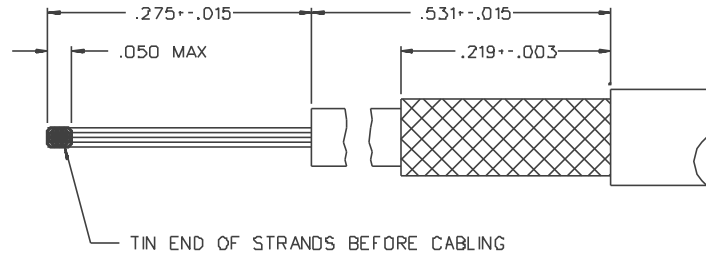
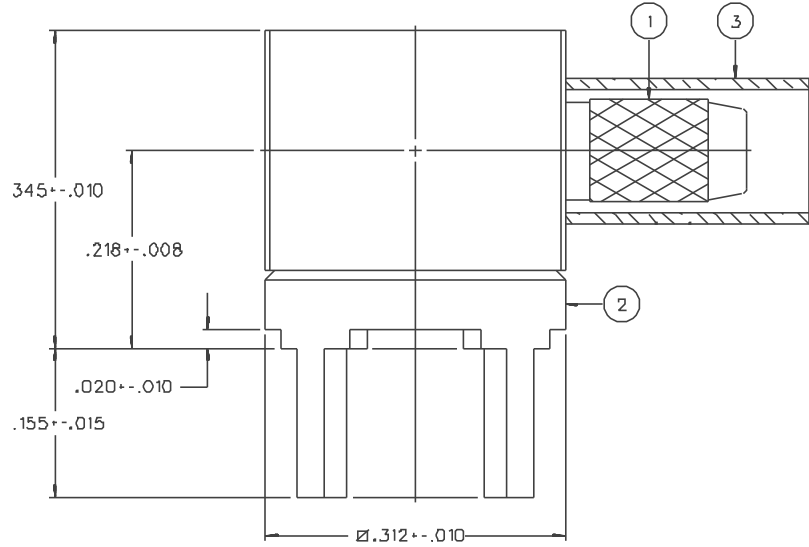
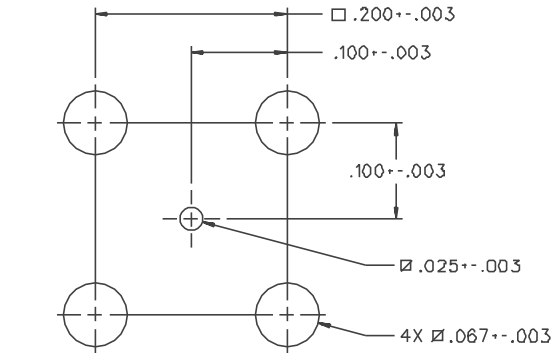
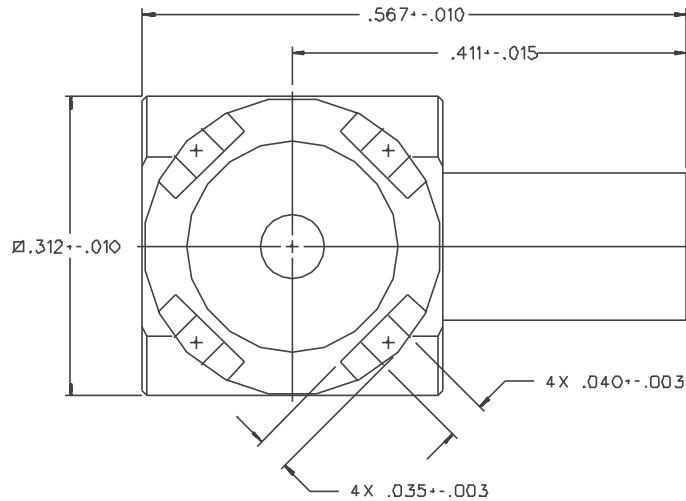


PART NUMBER	ITEM ① BODY	ITEM ② BASE	ITEM ③ CRIMP SLEEVE
142-0003-301	BRASS GOLD PL .00001 MIN OVER NICKEL PL .00005 MIN OVER COPPER PL .00005 MIN	BRASS GOLD PL .00001 MIN OVER NICKEL PL .00005 MIN OVER COPPER PL .00005 MIN	COPPER GOLD PL .00001 MIN OVER NICKEL PL .00005 MIN OVER COPPER PL .00005 MIN
142-0003-306	BRASS NICKEL PL .0001 MIN OVER COPPER PL .00005 MIN	BRASS NICKEL PL .0001 MIN OVER COPPER PL .00005 MIN	COPPER NICKEL PL .0001 MIN OVER COPPER PL .00005 MIN
142-0003-307	BRASS NICKEL PL .0001 MIN OVER COPPER PL .00005 MIN	BRASS NICKEL PL .0001 MIN OVER COPPER PL .00005 MIN Δ	COPPER NICKEL PL .0001 MIN OVER COPPER PL .00005 MIN



CABLE STRIP DIMENSIONS



MOUNTING HOLE LAYOUT

NOTES:

1. SPECIFICATIONS:

CABLE ACCEPTABILITY: RG 188/U, RG 316/U, RG 161/U
 RG 174/U, RG 179/U, RG 187/U
 CABLE HEX CRIMP SIZE: .125
 CABLE RETENTION: 20 LBS MIN OR CABLE BREAKING STRENGTH



CONNECTOR MOUNTING LEADS 60/40 TIN/LEAD DIPPED (SOLDER PLATE).

DRAWING NO.	
C - 142-0003-301/310	
0	REVISIONS
CHANGED: REVISED AND REDRAWN. WAS "D" SIZE, DATED 10-3-86.	
03	04-12-88 EJ RRF RJB 5-19-88 ECG 23408
ADDED: P/N 142-0003-307, NOTE 2	
4	7-16-92 R H ECD 41140

CUSTOMER DRAWING

THIS DRAWING TO BE INTERPRETED
 PER ANSI Y 14.5M - 1982

" μ STATION"

COMPANY CONFIDENTIAL

TOLERANCE UNLESS OTHERWISE SPECIFIED	DRAWN BY EJ	DATE 4-12-88	JOHNSON [®] <small>Cinch Connectivity Solutions 299 Johnson Ave. Ste. 100 Waukegan, IL 60093 1-800-247-8256</small>	
DECIMALS .XX	CHECKED BY	DATE	TITLE CABLE TERMINATION, RA PC MOUNT RG 316	
.XXX	APPROVED BY RRF	DATE 5-16-88	CODE NO.	DRAWING NO. C - 142-0003-301/310
MATL	APPROVED BY RJB	DATE 5-16-88	SCALE 10:1	U/M INCH
FINISH	RELEASE DATE (12-1-86) 5-19-88			SHEET 2 OF 2