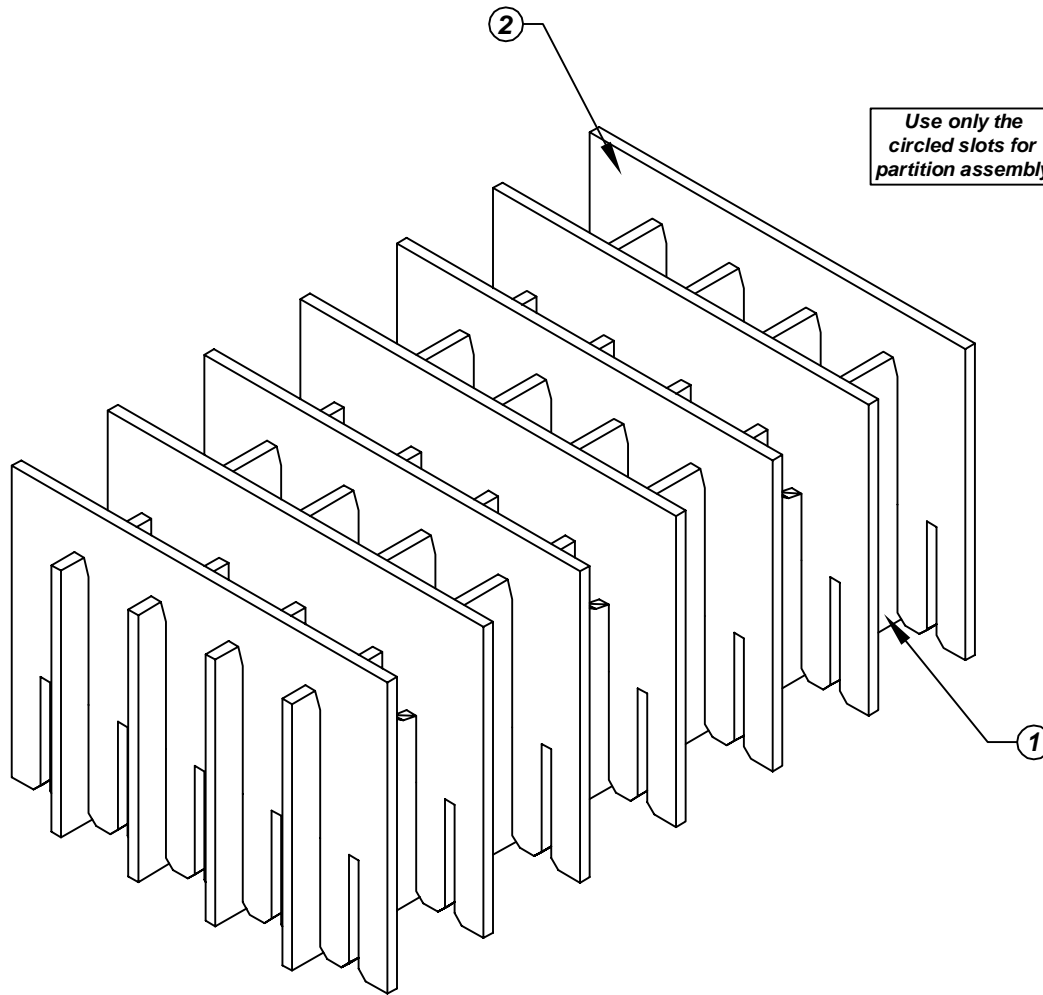
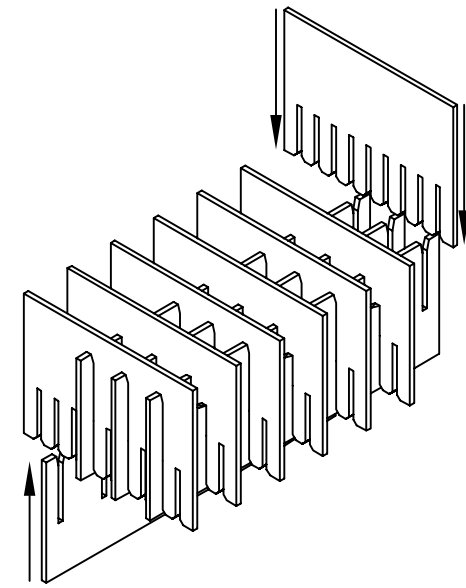
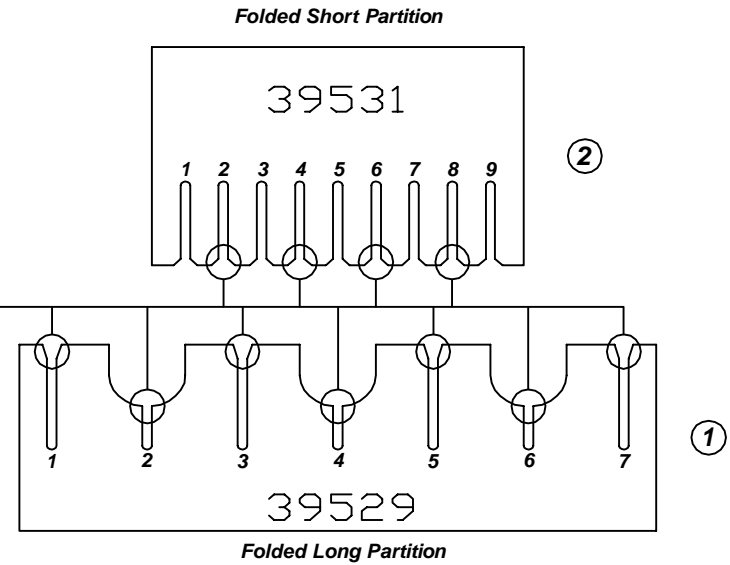


# Assembly Instructions for - 37153



Use only the circled slots for partition assembly



Made in America

F/N ①	Part # 39529	Dimensions: 12-3/16" x 16-11/16"	Description: 400 - LP Long Partition	Qty: 4
F/N ②	Part # 39531	Dimensions: 14-3/16" x 9-3/4"	Description: 400 - SP Short Partition	Qty: 7

## 37153 - 30 Cell Inplant Handler Cell Size - 7-1/4" x 2-1/8" x 1-3/4"

Notes:  
For use with the following storage container & lid:  
37500 - Storage Container  
37550 - Lid

PROTEKTIVE PAK  
13520 MONTE VISTA AVENUE, CHINO, CA 91710  
PHONE (909) 627-2578, FAX (909) 363-7331  
ProtectivePak.com



DRAWING NUMBER  
**IPH-37153**

DATE  
Dec. 2007