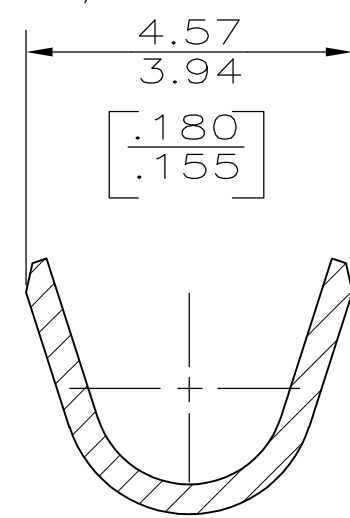
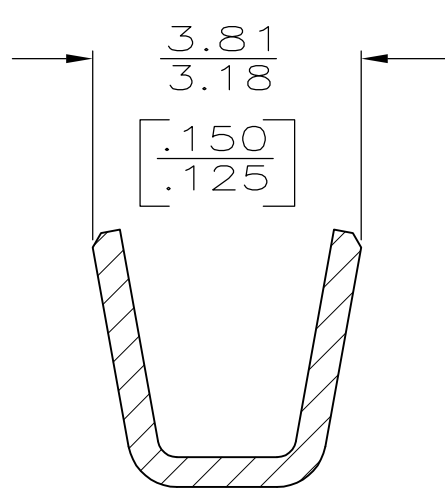
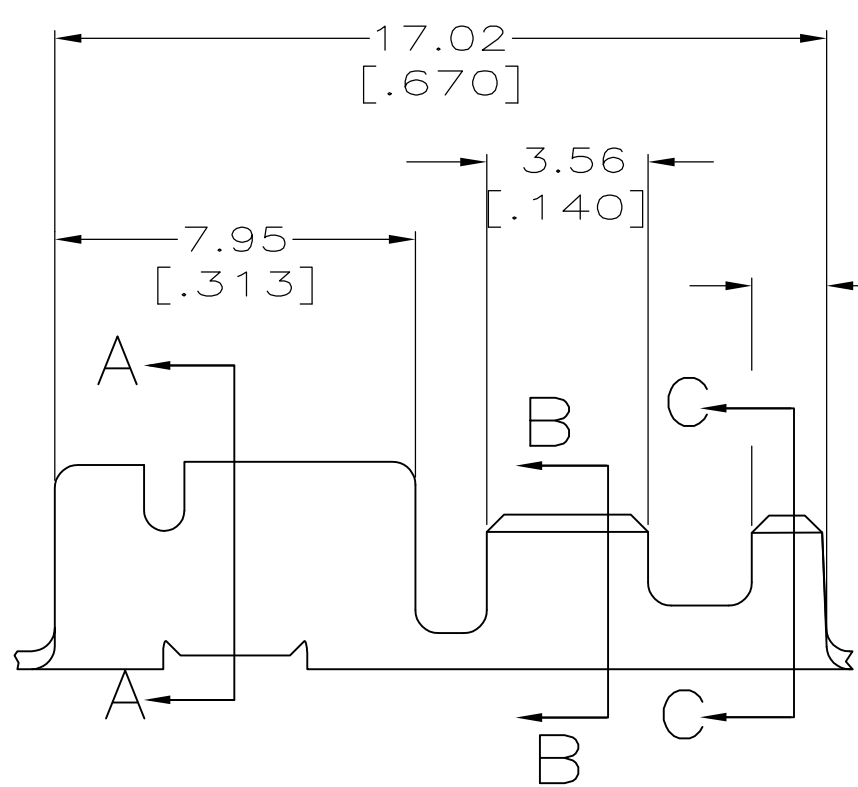
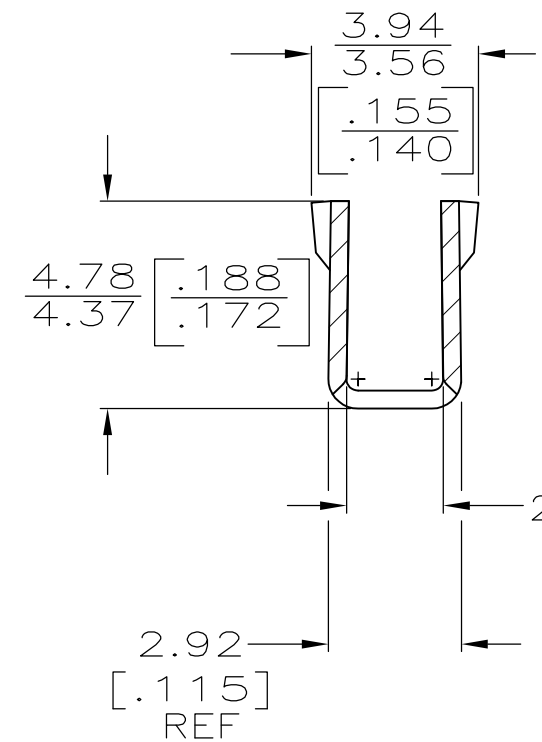
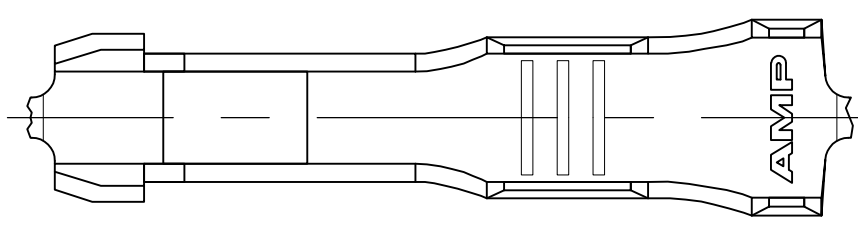


THIS DRAWING IS UNPUBLISHED. RELEASED FOR PUBLICATION
 © COPYRIGHT - By - ALL RIGHTS RESERVED.

LOC	DIST	REVISIONS			
P	LTR	DESCRIPTION	DATE	DWN	APVD
AF	50	AB	REVISED PER ECR-12-016352	16NOV2012	KH GJ



- 1 CONTINUOUS STRIP ON REEL.
- 2 WIRE SIZE IS 0.82-1.31MM² [#18-#16 AWG].
- 3 INSULATION RANGE IS 1.50-2.62 [.059-.103] DIA.
- 4 ADDITIONAL PERFORMANCE REQUIREMENTS APPLY. CONSULT TE PRODUCT ENGINEERING FOR SPECIFICS.
- 5 OBSOLETE PARTS: OBSOLETE CIS STREAMLINING PER D.RENAUD/D.SINISI

5	OBSOLETE	MATERIAL	FINISH	PART NO
		COPPER ALLOY	POST TIN PLATED	62131-7
		H03 TIN-BRASS.	POST TIN PLATED	62131-6
		H03 TIN-BRASS.	-	62131-5
		H03 TIN-BRASS.	POST TIN PLATED	62131-3

THIS DRAWING IS A CONTROLLED DOCUMENT.		DWN PHILLIP M FORTNEY 20/JAN/95	STE TE Connectivity	
		CHK JEFF R RUTH 20/JAN/95		
DIMENSIONS: mm [INCHES]		APVD R KUZO 20JAN95	NAME RECEPTACLE, CLUSTER PIN, 2.29 [.090] DIA	
TOLERANCES UNLESS OTHERWISE SPECIFIED:		PRODUCT SPEC 108-2008	RESTRICTED TO	
0 PLC ± -		APPLICATION SPEC 114-2019	SIZE A3	CAGE CODE 00779
1 PLC ± -		WEIGHT -	DRAWING NO C-62131	SCALE 4:1
2 PLC ± 0.25 [.010]		SHEET 1 OF 1		
3 PLC ± -		REV AB		
4 PLC ± -				
ANGLES ± -				
FINISH SEE TABLE				