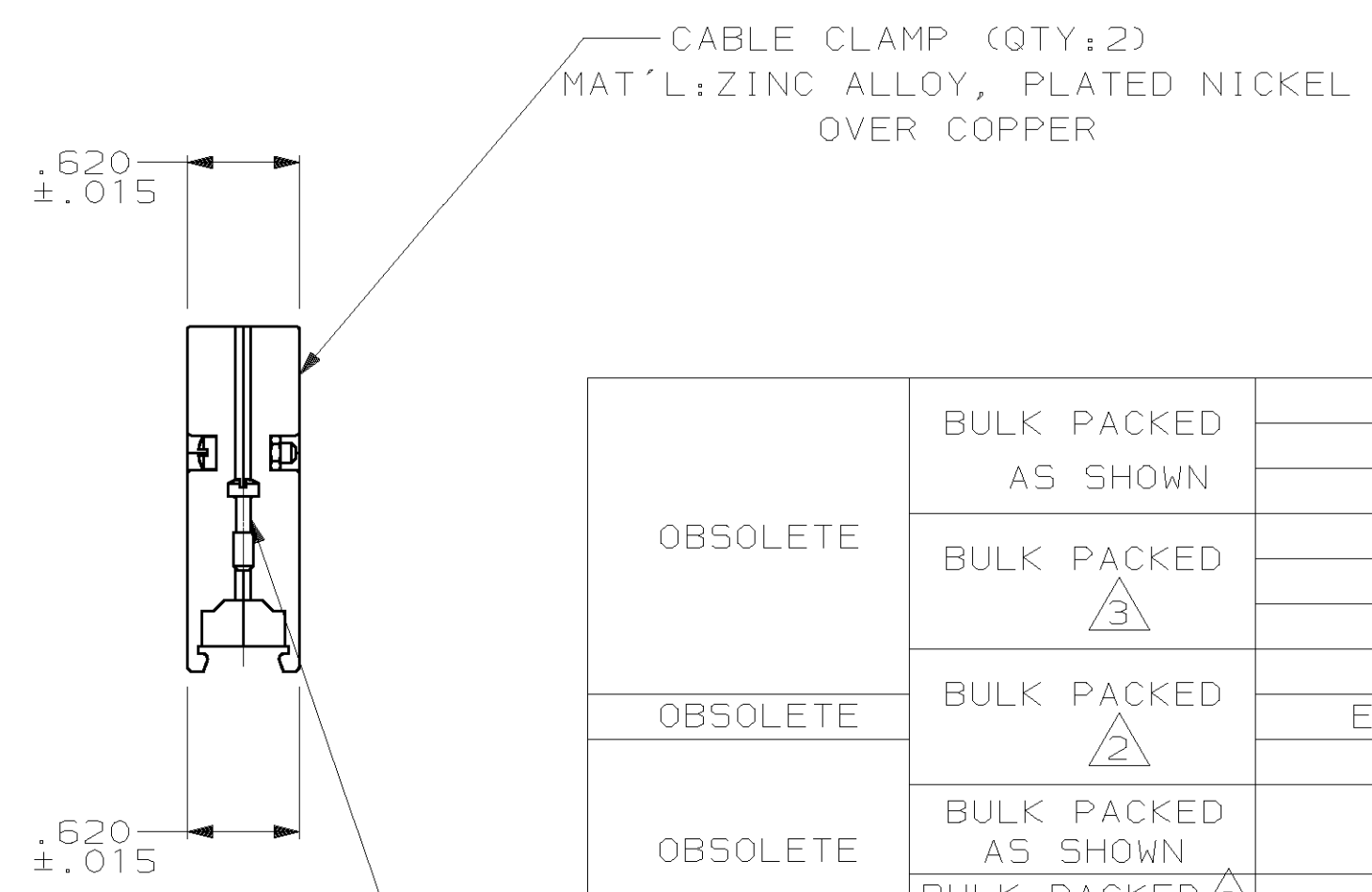
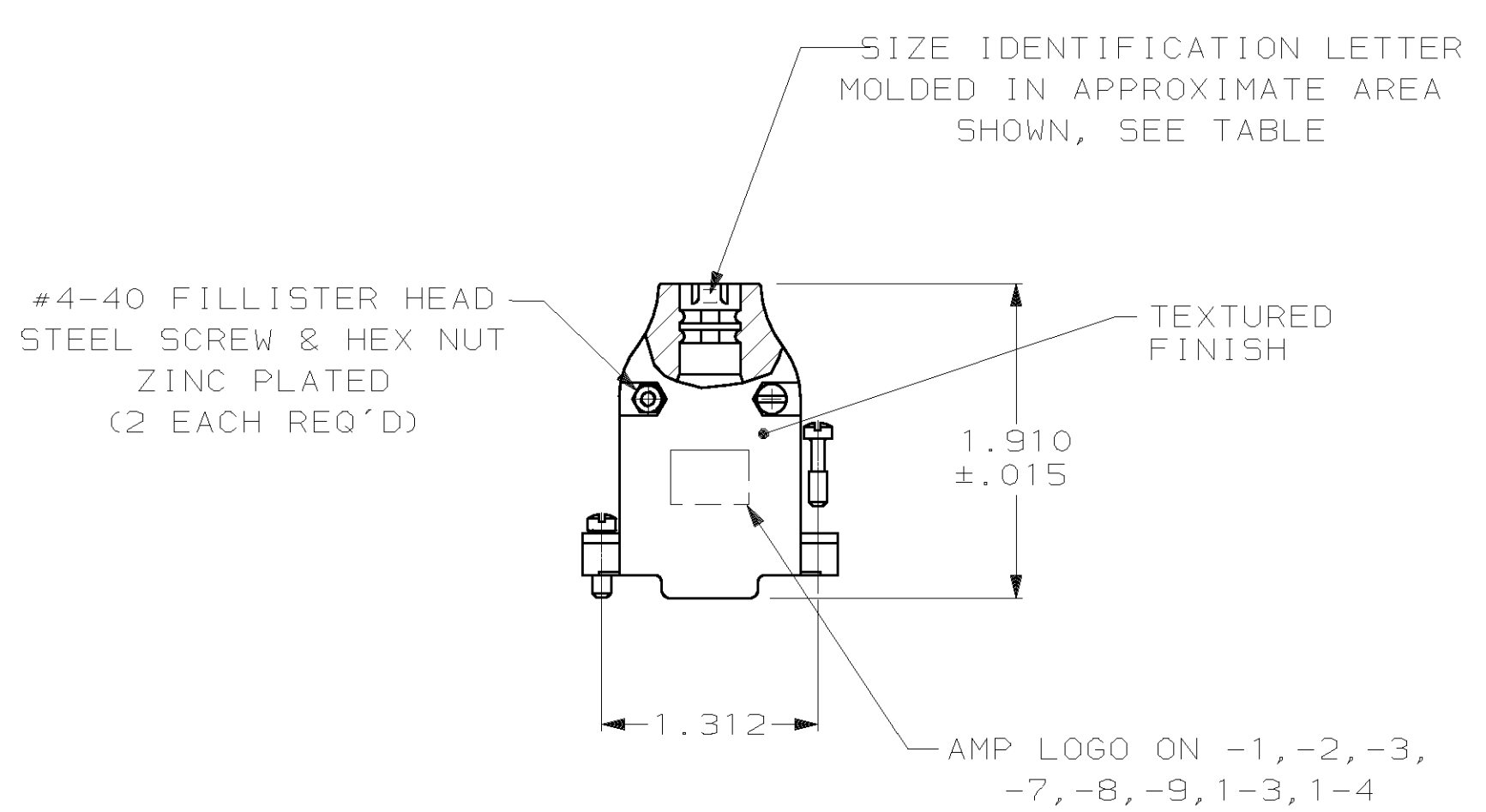
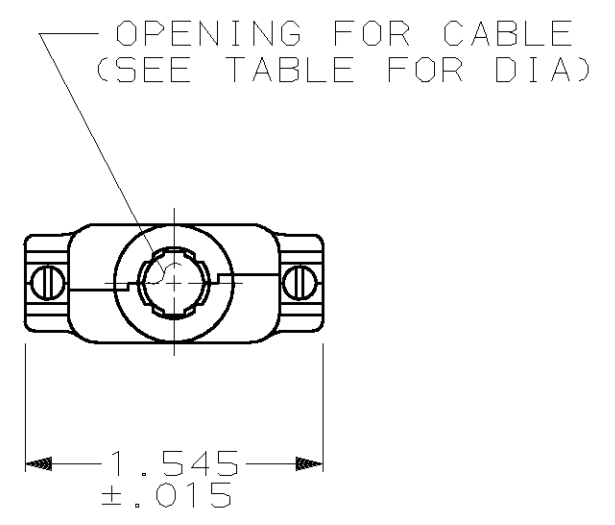


THIS DRAWING IS UNPUBLISHED. RELEASED FOR PUBLICATION
 © COPYRIGHT 19 BY AMP INCORPORATED. ALL INTERNATIONAL RIGHTS RESERVED.

LOC	DIST	P	F	REVISIONS				
				ZONE	LTR	DESCRIPTION	DATE	APPD
BD	48				F	REDRAWN	6/22/90	-
					G	OBS 1-8 PER ECN BD6177	06/19/92	TS
					H	OBS -14 PER EC 0020-1534-93	04/14/94	PR
					J	REV PER EC 0020-309-95	05/04/95	JS
					K	REV PER EC 0020-881-95	25 AUG 95	JS
					L	REV PER EC 001D-83-00	28 MAR 00	DK



OBSOLETE	BULK PACKED AS SHOWN		.375	2-745172-5
			.300	2-745172-4
			.225	2-745172-3
OBSOLETE	BULK PACKED $\triangle 3$.375	2-745172-2
			.300	2-745172-1
			.225	2-745172-0
OBSOLETE	BULK PACKED $\triangle 2$.375	1-745172-9
		E	.300	1-745172-8
OBSOLETE	BULK PACKED AS SHOWN		.225	1-745172-7
			.430	1-745172-6
			.430	1-745172-5
OBSOLETE	BULK PACKED $\triangle 3$.430	1-745172-4
		K	.430	1-745172-3
			.430	1-745172-3
OBSOLETE	$\triangle 3$.225	745172-9
			.300	745172-8
			.375	745172-7
OBSOLETE	AS SHOWN		.225	745172-3
		B	.300	745172-2
		E	.375	745172-1
	REMARKS	NECK IDENT	CABLE DIA	PART NO.

1. PARTS PACKAGED UNASSEMBLED.
- $\triangle 2$ SUPPLIED WITHOUT MTG SCREWS $\textcircled{1}$ & LOGO.
- $\triangle 3$ SUPPLIED WITHOUT MTG SCREWS $\textcircled{1}$.

#4-40 FILLISTER HD SCREW
MAT'L: STEEL, ZINC PLATED $\textcircled{1}$
QTY:2

DO NOT SCALE PRINT. UNLESS SPECIFIED DIMENSIONS IN INCHES TOLERANCES ON :	DR 6/22/90 A. STAUB BG	AMP INCORPORATED Harrisburg, Pa. 17105	
2 PLC DEC ± -	CHK 9/10/90 J. MCCLINTON		
3 PLC DEC ± .005	APPD 9/11/90 BOB TAYLOR	NAME	
ANGLES ± -	APPD 9/11/90 J. ASSINI	CABLE CLAMP KIT, UNASSEMBLED, SIZE 2, 15 POSITION, 180°, AMPLIMITE™	
MATERIAL	PRODUCT SPEC	SIZE	FSCM NO
SEE CALLOUTS	-	C	00779
FINISH	APPLICATION SPEC	DRAWING NO	745172
SEE CALLOUTS	-	SCALE	1:1
WEIGHT	-	SHEET	1 OF 1