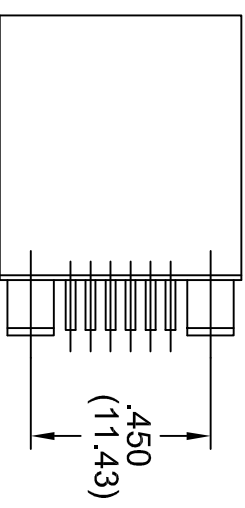
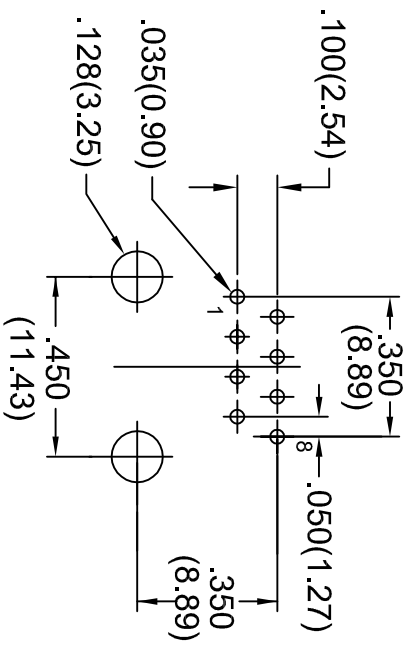
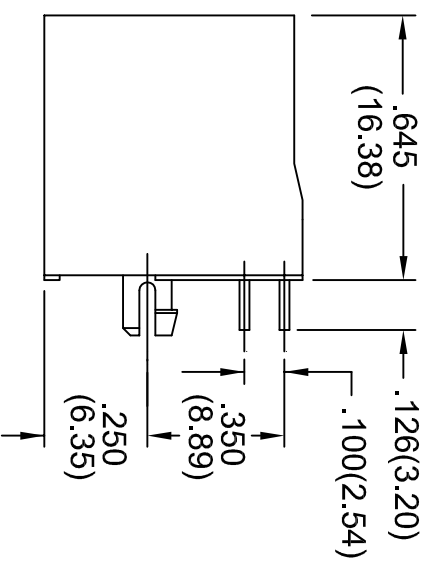
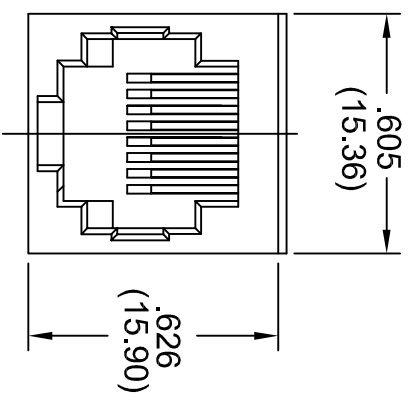


THIS IS A C.A.D. GENERATED DRAWING
DO NOT MAKE MANUAL REVISIONS TO MASTER.

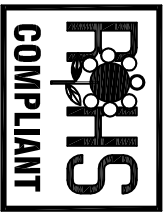


NOTES

MATERIAL:

HOUSING: PBT POLYESTER, UL94V-0 RATED
COLOR BLACK

CONTACTS: PHOSPHOR BRONZE
30 MICRONS OF GOLD OVER NICKEL ON CONTACT AREA
TIN PLATING ON TAILS



THIS SERIES FULLY CONFORMS TO THE
EUROPEAN UNION DIRECTIVES 2002/95/EC
AND 2002/96/EC FOR ROHS COMPLIANCY.

**MODULAR JACK TOP ENTRY PCB
8 POSITIONS**

	EDAC, INC.	THESE DRAWINGS AND SPECIFICATIONS ARE THE PROPERTY OF EDAC, INC. AND SHALL NOT BE REPRODUCED OR COPIED OR USED AS THE BASIS FOR THE MANUFACTURE OR SALE OF APPARATUS WITHOUT WRITTEN PERMISSION.
	TORONTO, ONTARIO CANADA	

YOUR CONNECTION TO QUALITY & SERVICE

ACAD REFERENCE NO.	A00-108-680-450	
DRAWN: F.BRIONES	DATE:	JAN. 20/04
CHECKED:	DATE:	
PART NUMBER	A00-108-620-450	
DRAWING NUMBER	A00-108-620-450	
ISSUE	4	