

4

3

2

1

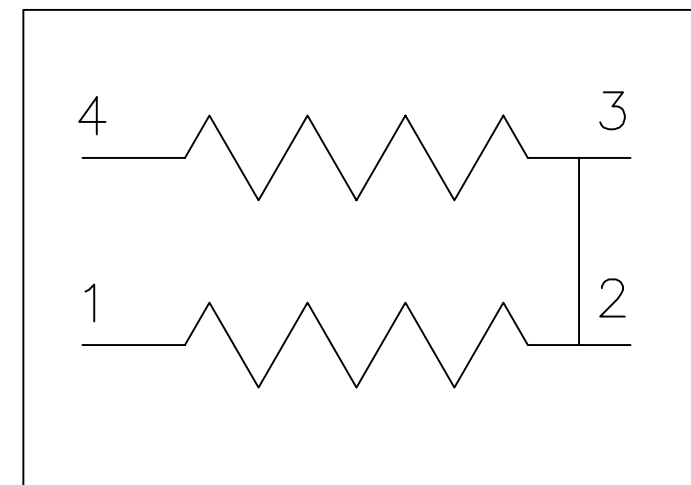
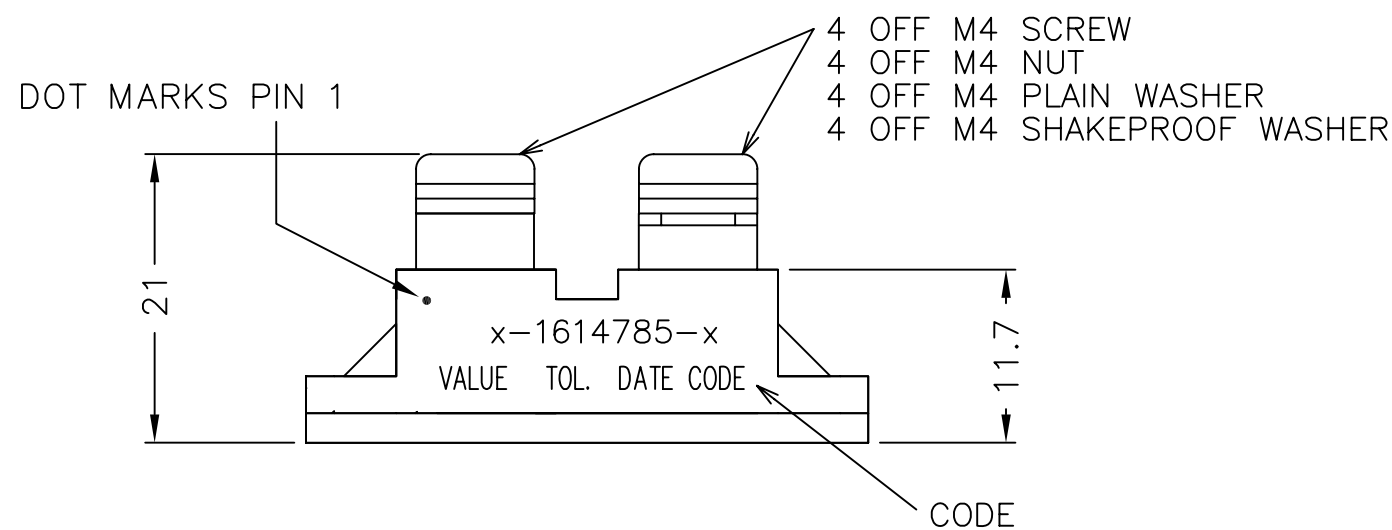
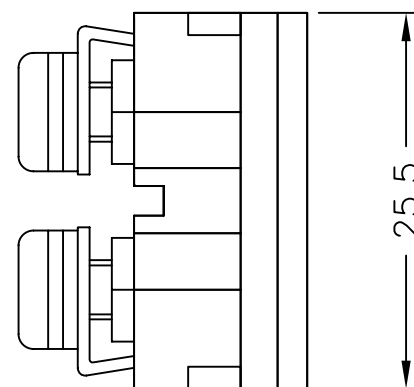
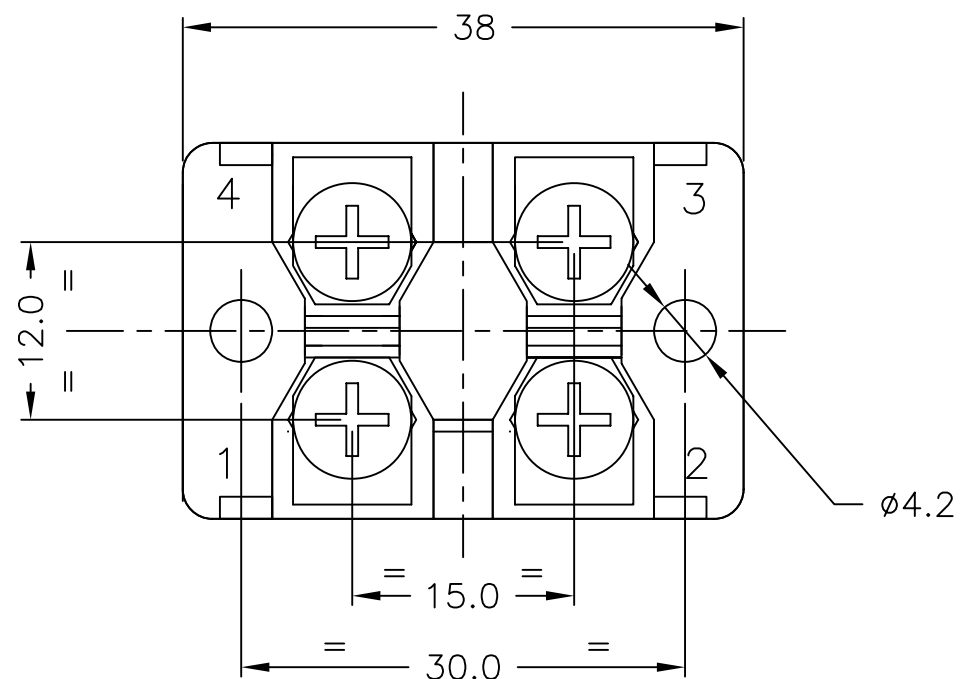
THIS DRAWING IS UNPUBLISHED.

RELEASED FOR PUBLICATION

NOV ,2005.

© COPYRIGHT 2005 BY TYCO ELECTRONICS CORPORATION. ALL RIGHTS RESERVED.

LOC	DIST	REVISIONS			
P	LTR	DESCRIPTION	DATE	DWN	APVD
E	B	C	ECR-07-009611	20APR07	RB JC



RoHS Compliant

FOR A SPECIFIC PN FOR A RESISTANCE VALUE AND TOLERANCE, PLEASE REFER TO DMF.

THIS DRAWING IS A CONTROLLED DOCUMENT.		DWN DAVE KENNEDY 04NOV05	<b>tyco</b> <b>Electronics</b>	Tyco Electronics Corporation Dorcan, Swindon, SN3 5HH	
DIMENSIONS: MM		CHK J CATCHPOLE 04NOV05		NAME 100W POWER RESISTOR BDS-4-E-100	
TOLERANCES UNLESS OTHERWISE SPECIFIED:		APVD J CATCHPOLE 04NOV05	PRODUCT SPEC -		
MATERIAL -		FINISH -	APPLICATION SPEC -		RESTRICTED TO -
0 PLC ± -		1 PLC ± -	2 PLC ± -	3 PLC ± -	4 PLC ± -
ANGLES ± -		FINISH ± -			
-		WEIGHT -	SIZE A3	CAGE CODE 00779	DRAWING NO C-1614785
CUSTOMER DRAWING			SCALE NTS	SHEET 1 OF 1	REV C