

4

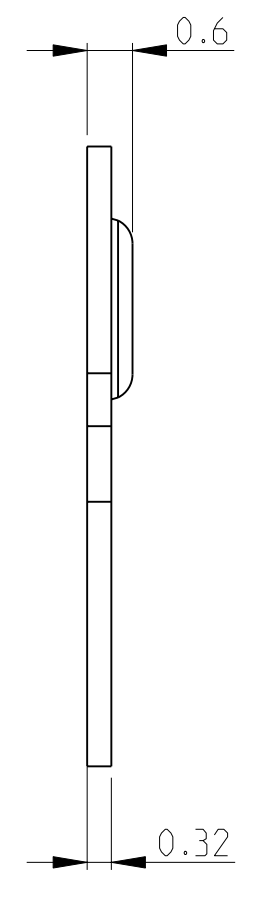
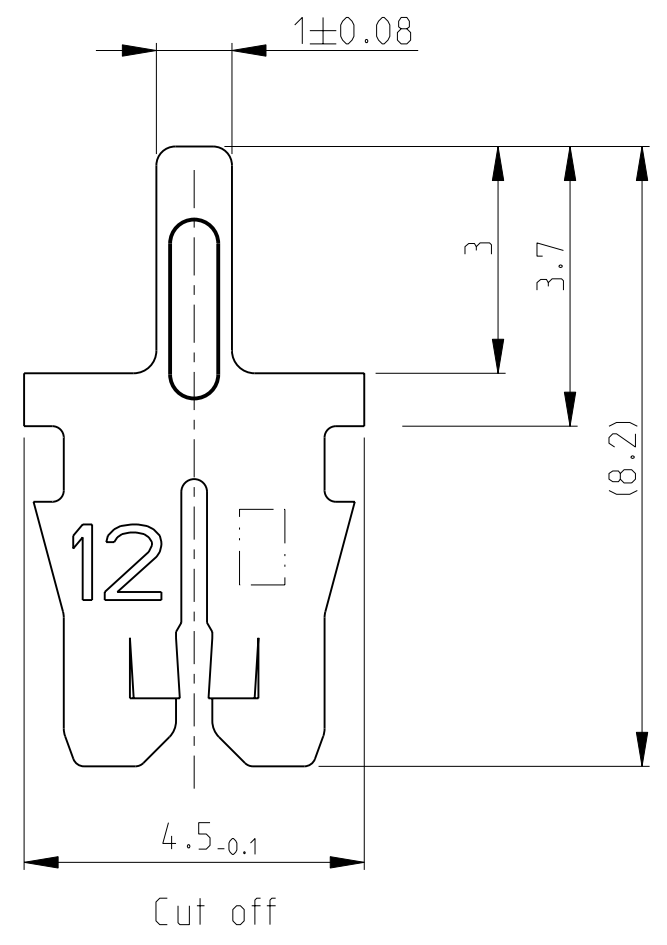
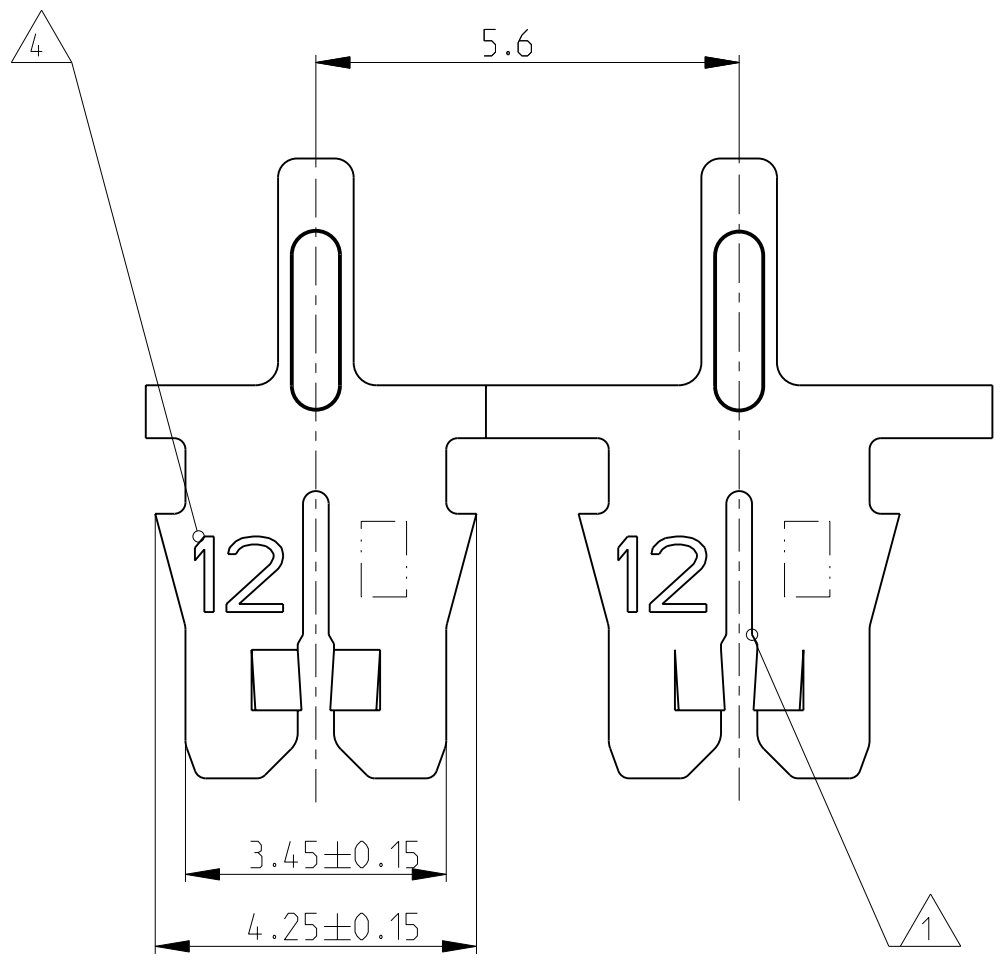
3


2

1

THIS DRAWING IS UNPUBLISHED. RELEASED FOR PUBLICATION
 © COPYRIGHT 2002 ALL RIGHTS RESERVED.

LOC	DIST	REVISIONS			
P	LTR	DESCRIPTION	DATE	DWN	APVD
IR	-	A1	Text hinzu	29JUL2003	Ba. PL.
		A2	RELEASED TO GENERAL SALES	18JUL2011	PKS RRP



THIS DRAWING IS A CONTROLLED DOCUMENT.		DWN	08JAN2002		 TE Connectivity	
DIMENSIONS: mm		CHK	M. Neitzel			NAME MAG-MATE Kontakt mit Loetpin Baugroesse .300 mod.
TOLERANCES UNLESS OTHERWISE SPECIFIED:		APVD	H. Ploesser			
0 PLC ±0.2 1 PLC ±0.2 2 PLC ±0.2 3 PLC ±0.2 4 PLC ±0.2 ANGLES ±1°		PRODUCT SPEC	-			
MATERIAL SEE TABLE		APPLICATION SPEC	-		SIZE	
FINISH SEE TABLE		WEIGHT	-		CAGE CODE	
		CUSTOMER DRAWING	A3		DRAWING NO	
			00779		RESTRICTED TO	
			C=1534686		SCALE	
			10:1		SHEET	
			1 OF 2		REV	
			A2			

THIS DRAWING IS UNPUBLISHED.

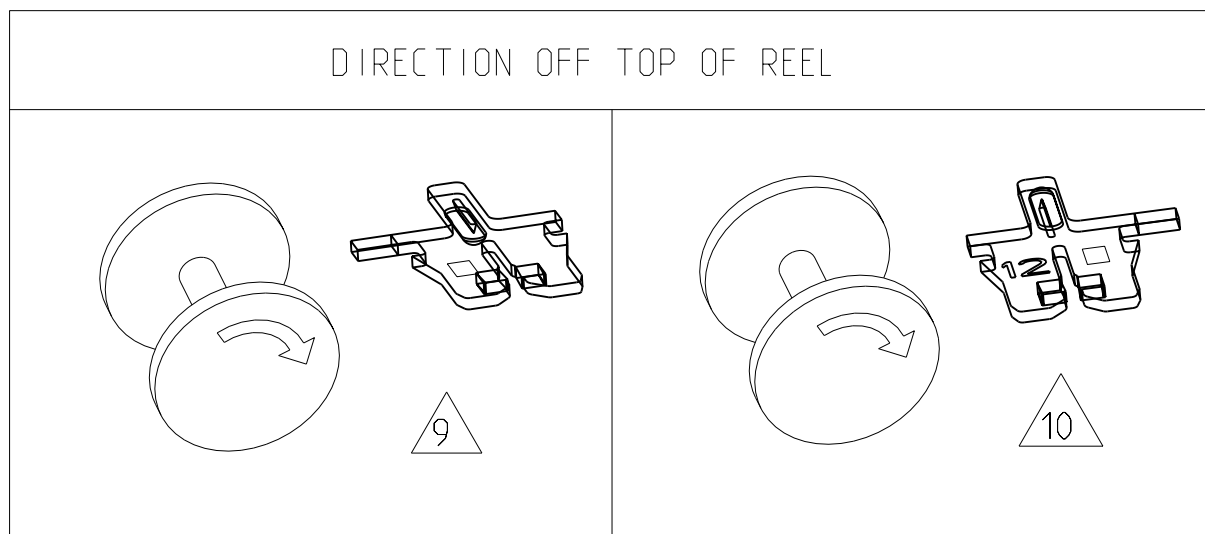
RELEASED FOR PUBLICATION

© COPYRIGHT 2002

ALL RIGHTS RESERVED.

LOC	DIST	REVISIONS					
		P	LTR	DESCRIPTION	DATE	DWN	APVD
A1	-		-	SEE SHEET 1	-	-	-

DIRECTION OFF TOP OF REEL



Bemerkungen:
NOTES:

1 Geeignet fuer Kupferlackdraht
 Einzel- $\varnothing 0.40 \dots 0.63\text{mm}$ oder Doppeldraht $\varnothing 0.45 \dots 0.56\text{mm}$
 SLOT ACCEPTS:
 SINGLE MAGNET WIRE $\varnothing 0.40 \dots 0.63\text{mm}$ DIA
 OR DOUBLE MAGNET WIRE $\varnothing 0.40 \dots 0.56\text{mm}$ DIA


2 Anlieferungszustand: Kontakte fortlaufend mit
 Papierzwischenlage auf Kunststoffspule aufgewickelt
 Max. 5 Splice Stellen pro Spule
 Splice Stellen nicht miteinander verbunden
 DELIVERSTATE: CONTACTS CONTINUOUS REELED WITH
 PAPER INTERLAYER ON PLASTIC-REEL.
 MAX. 5 SPLICES PER REEL
 SPLICES BE NOT BONDED TOGETHER.

3 Kontaktkammer nach Zeichnung } 411-18516
 CAVITY ACCORDING DWG.

4 Kennziffer fuer Drahtgroessenbereich (12)
 IDENTIFICATION NO. FOR MAGNET WIRE RANGE (12)

5 Materialdicke } 0.32 ± 0.02
 STOCK THICKNESS

	10	A	CuNiSi	Ag OVER Ni	1-1534686-8
	10	A	CuNiSi	Au OVER Ni	1-1534686-7
	10	A	CuNiSi	BLANK	1-1534686-2
	10	A	CuSn	PRETINNED	1-1534686-1
OBSOLETE	9	B	CuNiSi	Ag OVER Ni	1534686-8
	9	B	CuNiSi	Au OVER Ni	1534686-7
	9	B	CuNiSi	BLANK	1534686-2
	9	B	CuSn	PRETINNED	1534686-1
REELING	REV.	5	MATERIAL	SURFACE COLOR	TE PART NO

THIS DRAWING IS A CONTROLLED DOCUMENT.		DWN M. Neitzel	08JAN2002	 TE Connectivity	
DIMENSIONS: mm		CHK H. Ploesser	-		
TOLERANCES UNLESS OTHERWISE SPECIFIED:		APVD -	-	NAME MAG-MATE Kontakt mit Loetpin Baugroesse .300 mod.	
0 PLC ± 0.2 1 PLC ± 0.2 2 PLC ± 0.2 3 PLC ± 0.2 4 PLC ± 0.2 ANGLES $\pm 1^\circ$		PRODUCT SPEC -	-		
MATERIAL SEE TABLE		APPLICATION SPEC -	-	SIZE A3	CAGE CODE 00779
FINISH SEE TABLE		WEIGHT -	-	DRAWING NO C-1534686	RESTRICTED TO -
CUSTOMER DRAWING				SCALE 10:1	SHEET 2 OF 2
				REV A2	