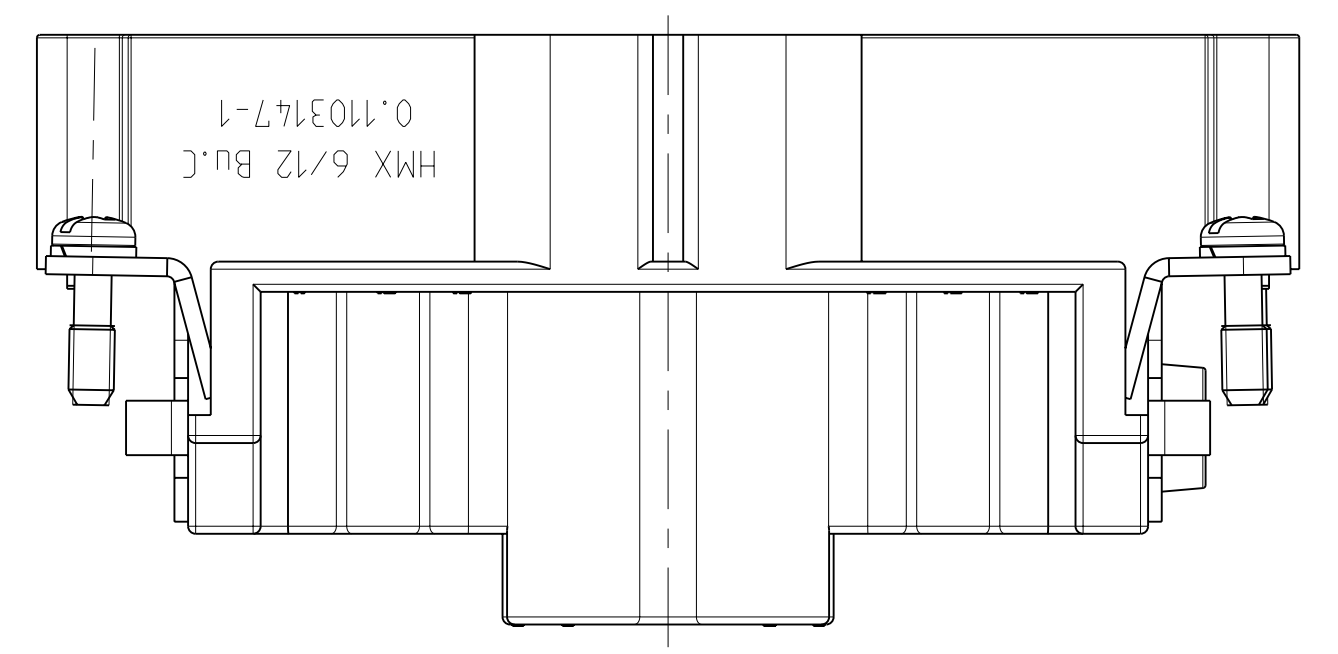
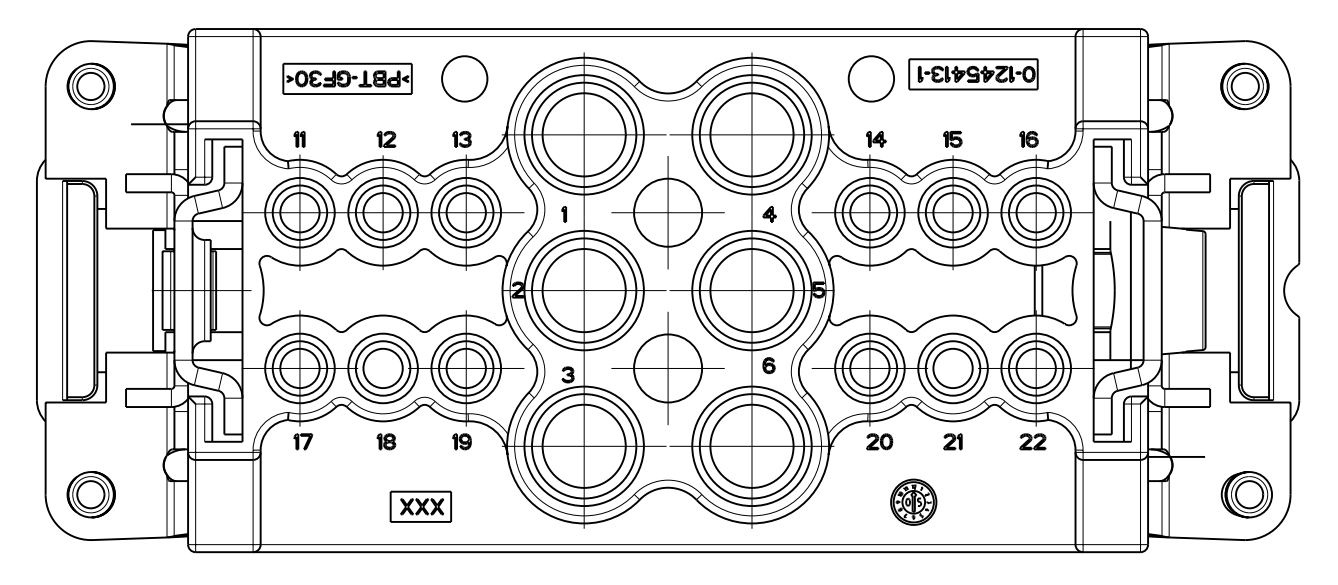
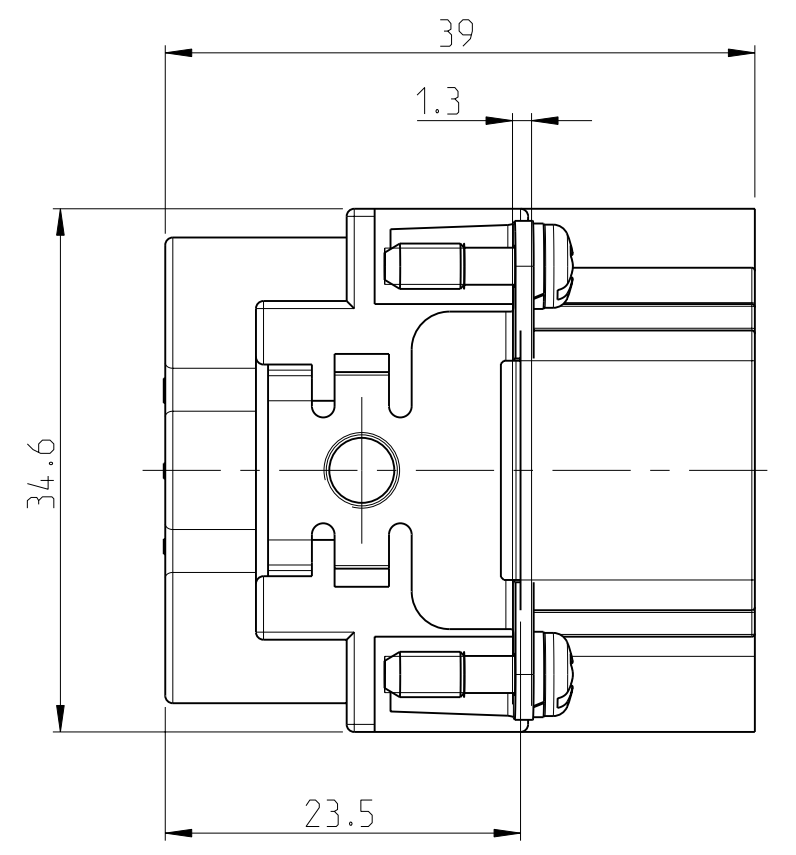
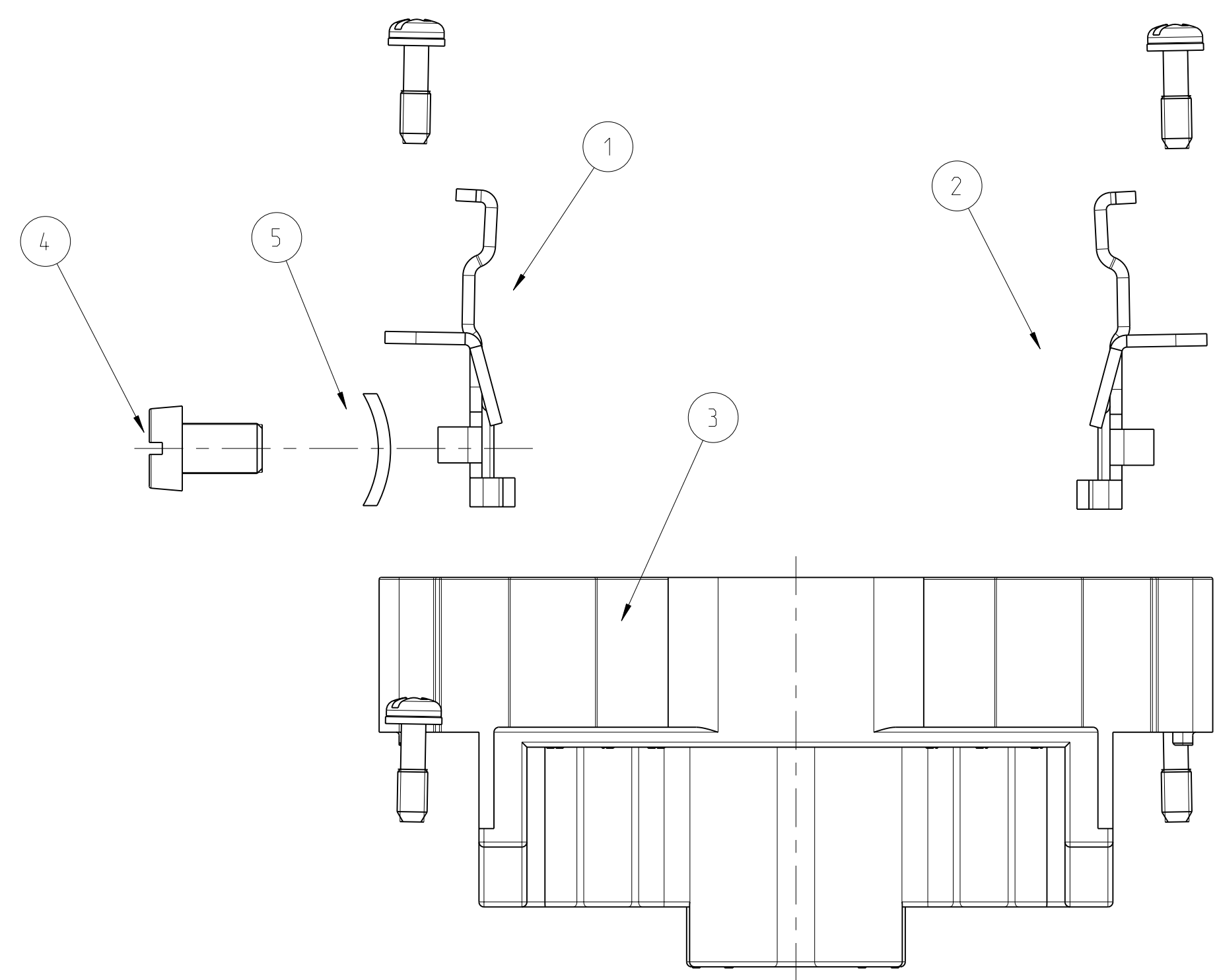
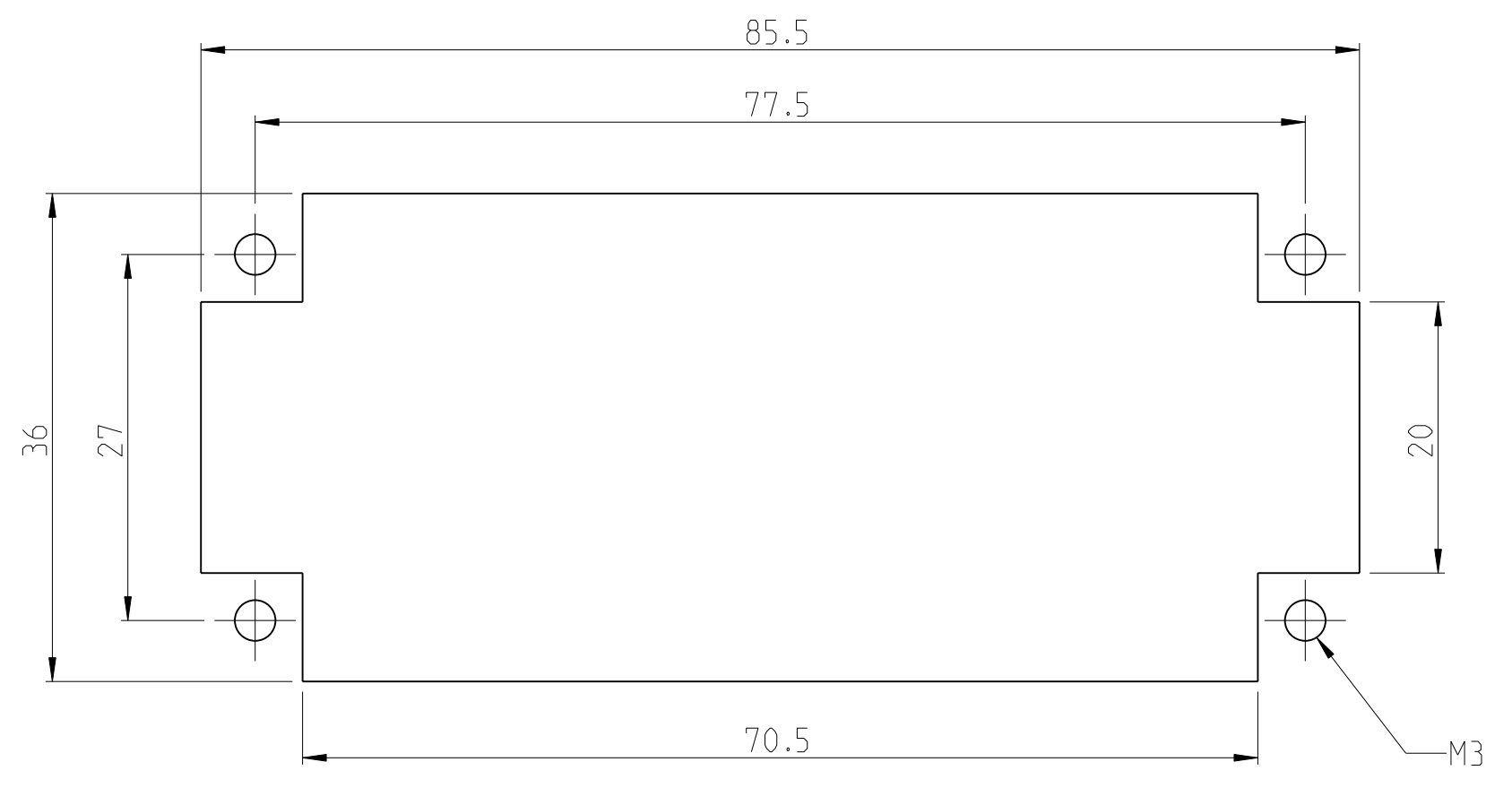
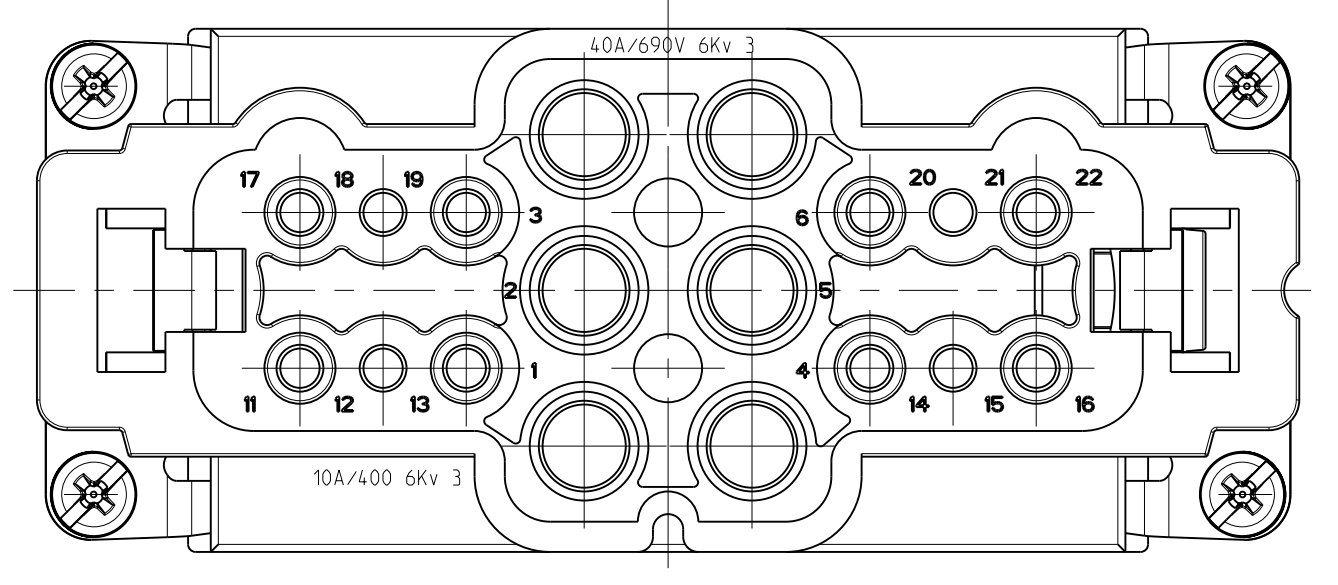


LOC	DIST	REV	DATE	BY	APPV
A1	-	C1	03FEB2010	SR	EM

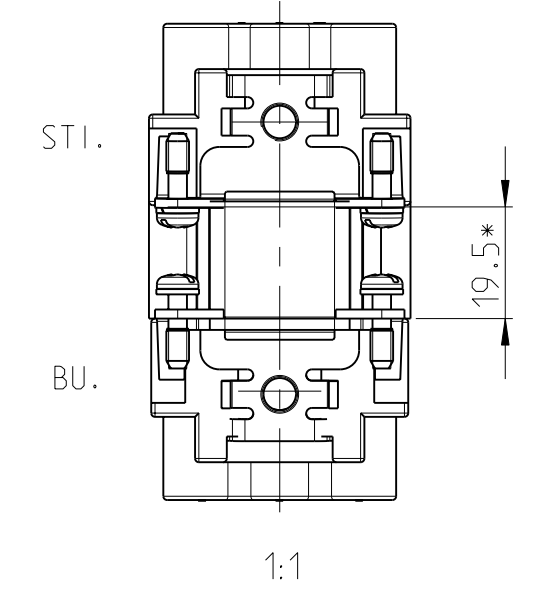
CONTACT ARRANGEMENT VIEW FROM TERMINATION SIDE



CONTACT ARRANGEMENT VIEW FROM CONNECTING SIDE

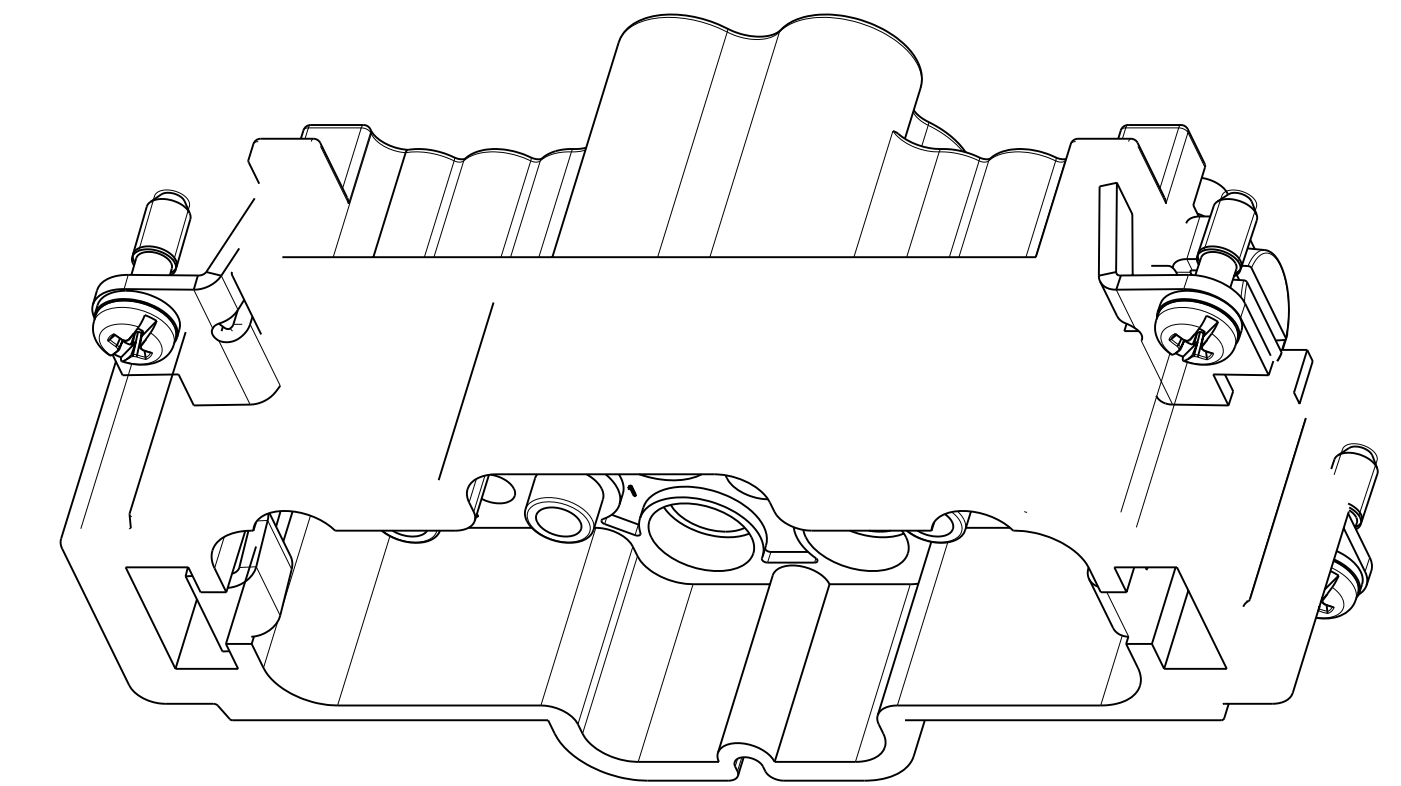


*DISTANCE FOR QUARANTEED CONTACT
21mm MAX.



NOTES

- POWER CONTACT: 1 TO 6
 OUTER DIMENSIONS OF INSUATION: MAX. 6,5MM
 SIGNAL CONTACT: 11 TO 22
 OUTER DIMENSIONS OF INSUATION: MAX. 3,2MM
- SUITABLE HOOD SIZE 6
 SERIES HB, HD, EMV,
- STANDARDS:
 DIN EN 61984; DIN EN 60664-1
- PACKAGING:
 5 PIECES IN A CARTON BOX



QTY	DESCRIPTION	MATERIAL	SURFACE	ITEM
5	CLIP TAB	STEEL	NICKEL PLATED	5
4	CYLINDER SCREW, M5	STEEL	NICKEL PLATED	4
3	PIN HOUSING	VALOX 420SE0	VDI 3400-24	3
2	GRINDING CONTACT-SOCKET	Cu Zn37 F38	Cu/Ni 5b	2
1	FIXING SCREW ASSY	St.8.8	Ni	1
0-1	DESCRIPTION	MATERIAL	SURFACE	ITEM

THIS DRAWING IS A CONTROLLED DOCUMENT. DWN R.SCHNEIDER 03FEB2010
 CHV T.SCHNURPELL 03FEB2010

STE TE Connectivity

NAME: PIN INSERT HMX 6/12 Sti.C
 HMX 6/12 Sti.C

SIZE: A1 CAGE CODE: 00779 DRAWING NO: C=1103146 RESTRICTED TO: -

MATERIAL: - FINISH: - WEIGHT: - CUSTOMER DRAW ING: - SCALE: 5:1 SHEET: 1 OF 1 REV: C1