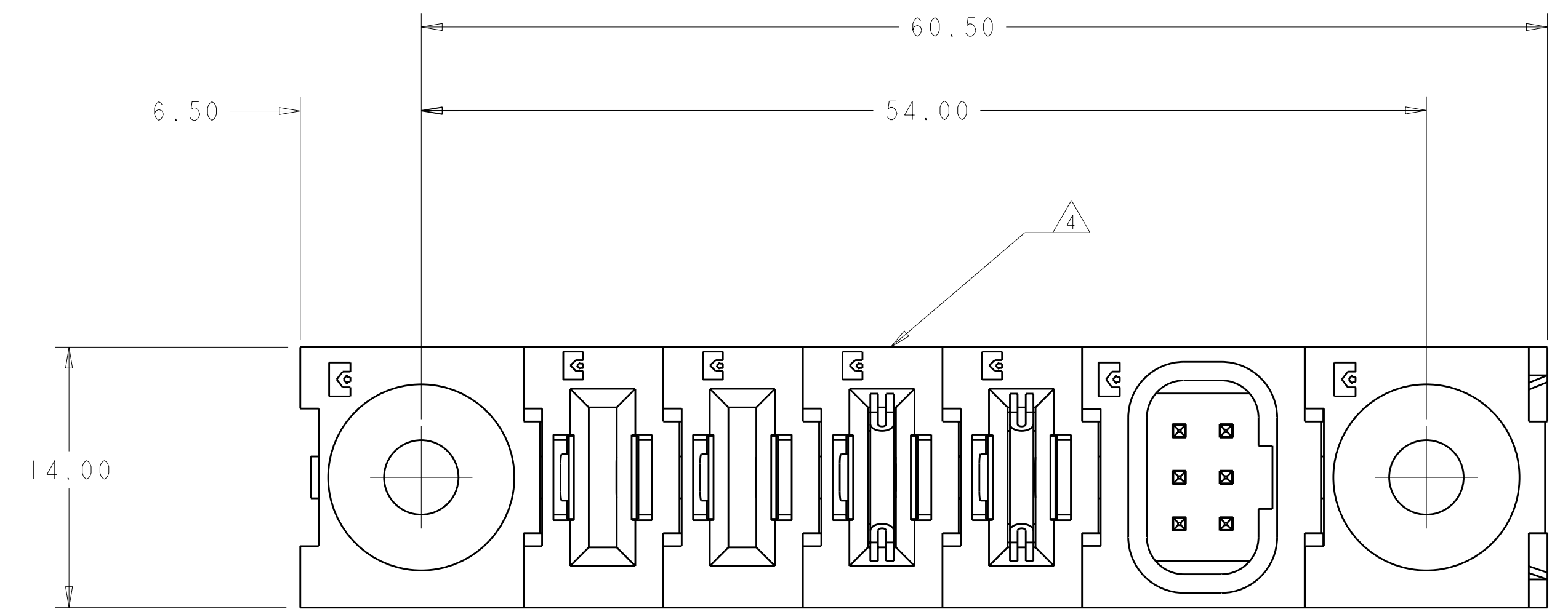


LOC	DIST	REV	DATE	BY	CHK	APPV
-	-	A	14OCT2008	C. ROHLER		
-	-	A1	22JAN2010	P. DAMATO		
-	-	B	12SEP2011	M. PERCHERKE		

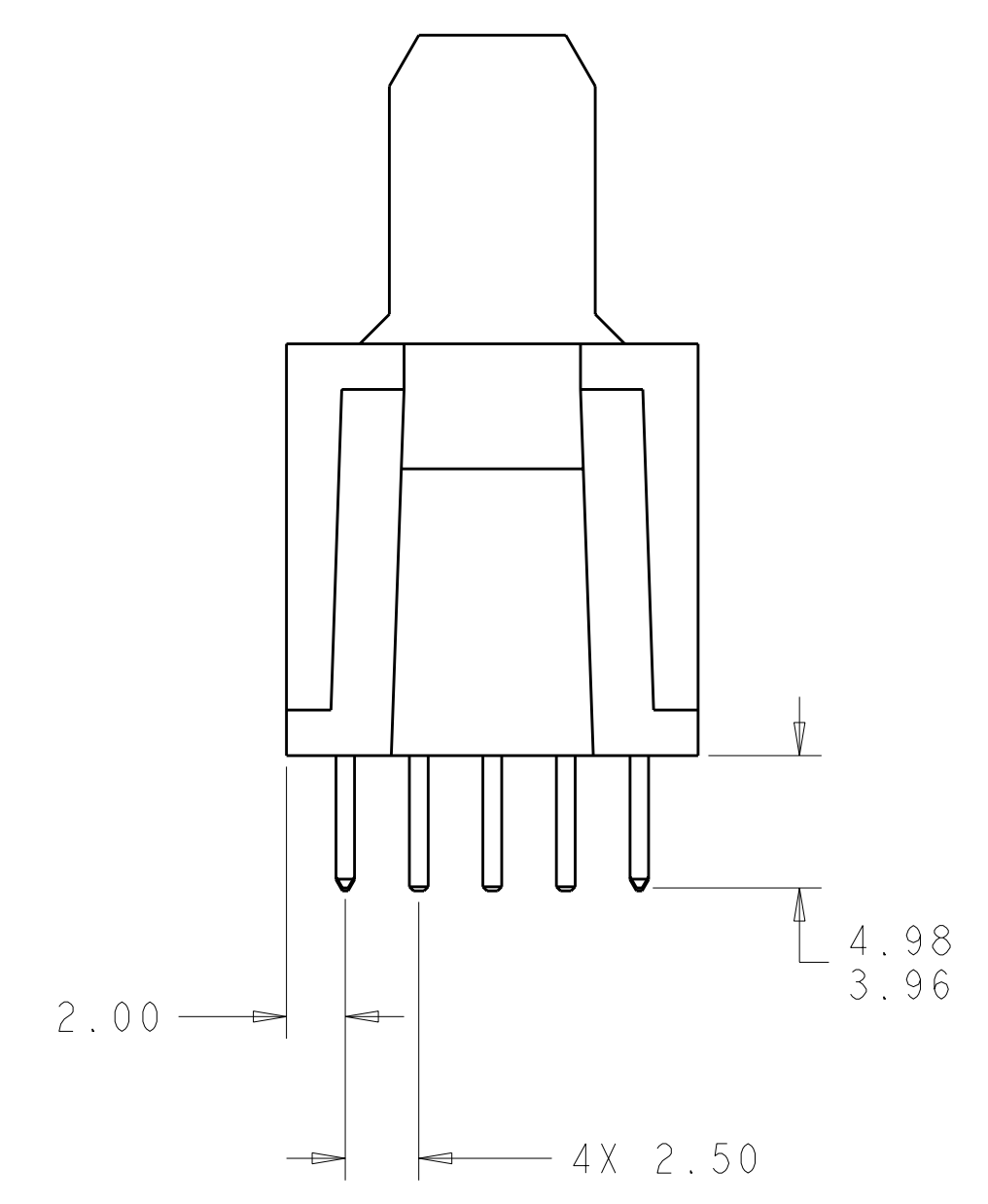
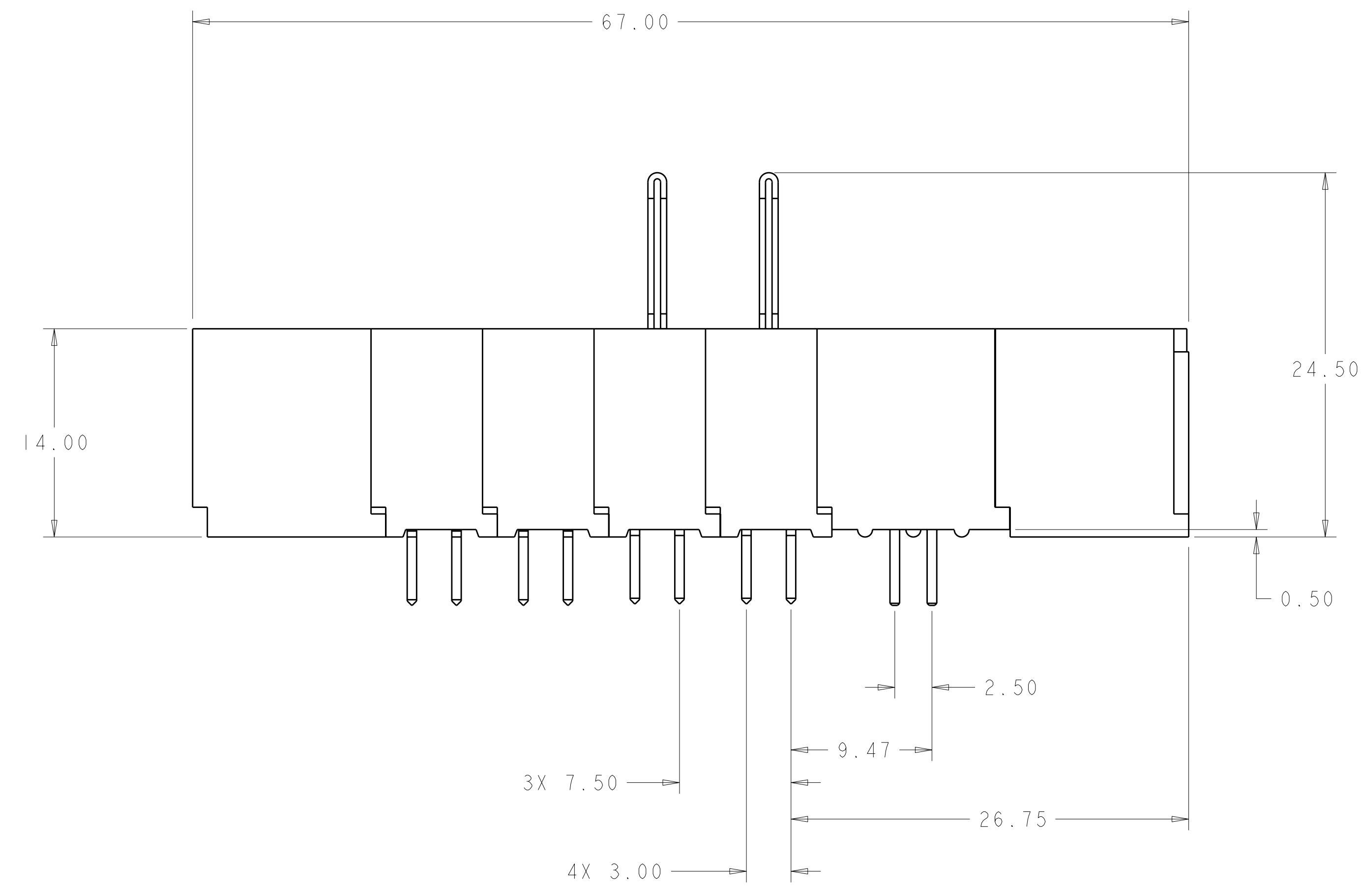


- PART NUMBER CHANGES AND OR DESIGN CHANGES AFFECTING ITEM INTERCHANGEABILITY REQUIRE PRIOR TYCO ELECTRONICS APPROVAL AND AUTHORIZATION BY REVISION TO THIS DRAWING.
- MATERIAL:
 - INSULATORS: THERMOPLASTIC, GLASS REINFORCED, COLOR: BLACK, UL94V-0 FLAMMABILITY RATED.
 - POWER CONTACTS: PHOSPHOR BRONZE ALLOY, COPPER ALLOY
 - CROWN BAND: BERYLLIUM COPPER ALLOY
- FINISH:
 - CONTACTS: GOLD PLATE 0.76µm MIN. THK., OVER NICKEL 1.27µm MIN. THK.
 - SOLDER TAILS: TIN 3.05µm MIN. THK. OVER NICKEL 1.27µm MIN THK.

△ ITEMS PROVIDED TO THIS SPECIFICATION TO BE PERMANENTLY IDENTIFIED PER THE FOLLOWING IDENTIFIER LABEL

YEAR 1 WEEK 1

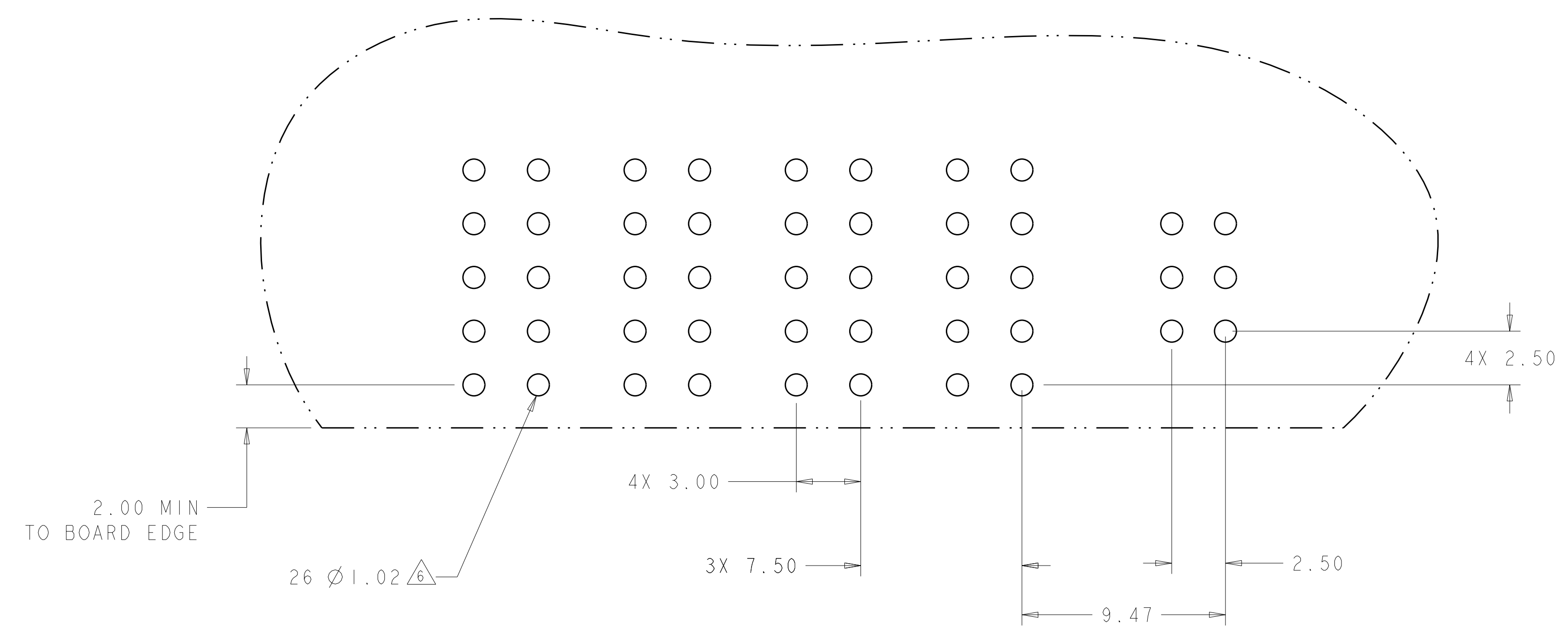
TYCO ELECTRONICS P/N: XXXXXXXX-X DATE CODE (e.g. 0106): XXXX



ELCON **FLATPAQ**

AS SHOWN		2085011-1	
DESCRIPTION		PART NO.	
DIMENSIONS: mm TOLERANCES UNLESS OTHERWISE SPECIFIED: 0 PLC ±.50 1 PLC ±.50 2 PLC ±.25 3 PLC ±.25 4 PLC ±.25 ANGLES ±.5 FINISH - MATERIAL -		DWN: C. ROHLER 14OCT2008 CHK: P. DAMATO 14OCT2008 APPV: M. PERCHERKE 14OCT2008 PRODUCT SPEC: APPLICATION SPEC: WEIGHT: CUSTOMER DRAWING	
Tyco Electronics Harrisburg, PA 17105-3608		NAME: SOCKET CONNECTOR ASSEMBLY FLATPAQ SIZE: A 00779 C=2085011 SCALE: 1:1 SHEET 1 OF 3 REV B	

LOC	DIST	REV	DATE	BY	APPD
-	-	1	-	-	-
DESCRIPTION			DATE	DWN	APPD
SEE SHEET 1			-	-	-

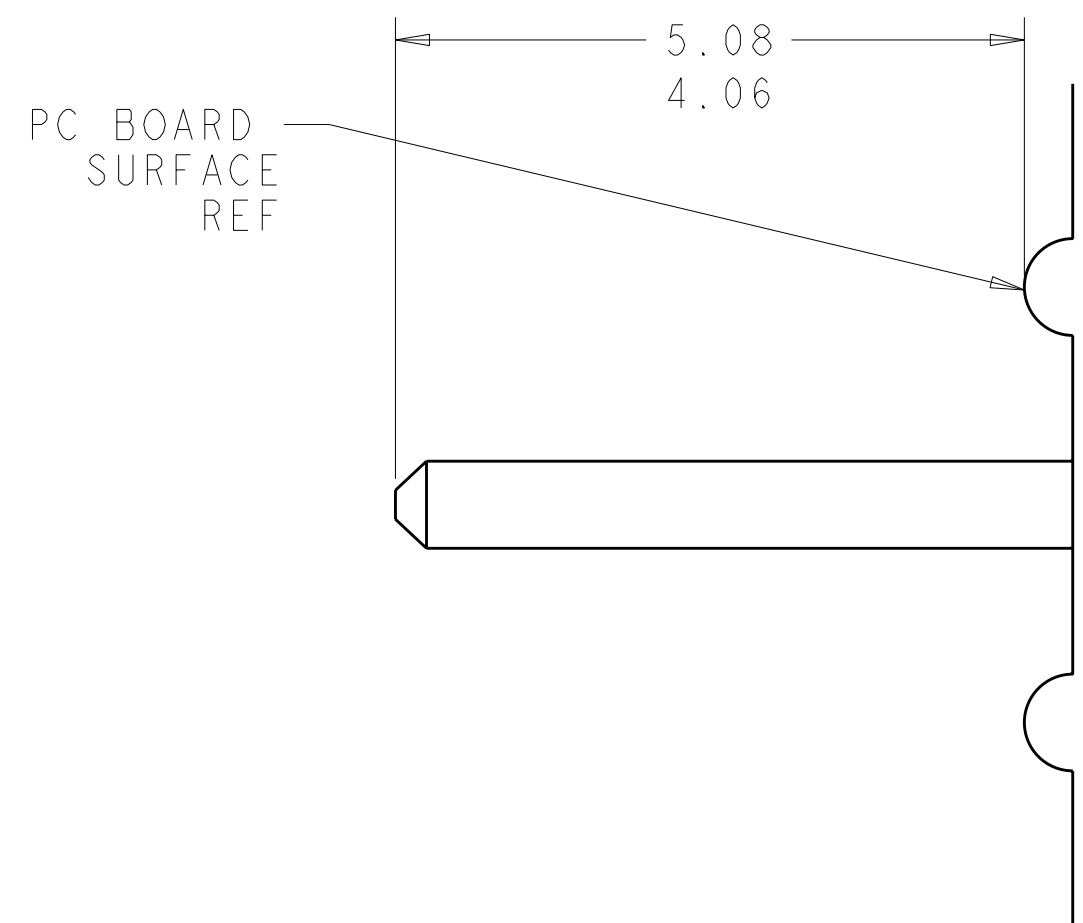


PRINTED CIRCUIT LAYOUT
 SCALE 6:1

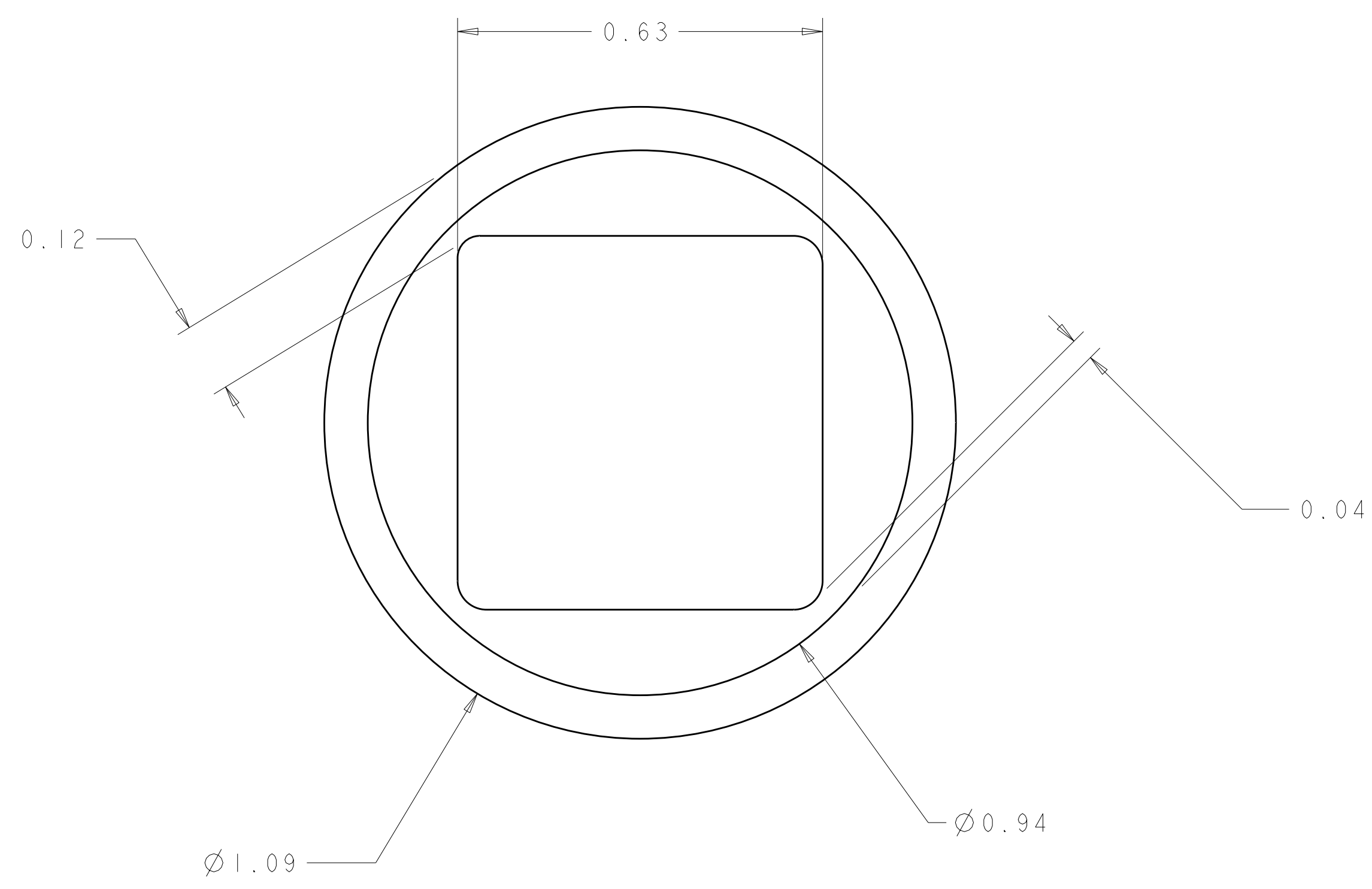
CONNECTOR	CATALOG MODULE #	QTY	SIZE NO.	CONTACT QTY	MATING PIN	MAX. CURRENT (PER CONTACT)	CONTACT SPACING	VOLTAGE RATING
SOCKET	FP100	2	8	2	1.25 X 7.00 [.049 X .276]	35 amps	7.50 [.2953]	250 VOLTS
	FP101	2	8	2	1.25 X 7.00 [.049 X .276]	35 amps	7.50 [.2953]	250 VOLTS
	FP312	1	22	6	.64 SQ.	3 amps	2.5	125 VOLTS
	FP502	2	STRAIGHT GUIDE SOCKET					

<small>THIS DRAWING IS UNPUBLISHED. RELEASED FOR PUBLICATION 2008. ALL RIGHTS RESERVED. © 2008 TYCO ELECTRONICS CORPORATION. THIS DRAWING IS THE PROPERTY OF TYCO ELECTRONICS CORPORATION. IT IS TO BE USED ONLY FOR THE PURPOSES AND IN THE QUANTITIES SPECIFIED IN THE ORDER. IT IS NOT TO BE REPRODUCED OR TRANSMITTED IN ANY FORM OR BY ANY MEANS, ELECTRONIC OR MECHANICAL, INCLUDING PHOTOCOPYING, RECORDING, OR BY ANY INFORMATION STORAGE AND RETRIEVAL SYSTEM, WITHOUT THE WRITTEN PERMISSION OF TYCO ELECTRONICS CORPORATION.</small>		DWN C. ROHLER 14OCT2008 CHK P. DAMATO 14OCT2008 APVD M. PERCHERKE 14OCT2008	Tyco Electronics Harrisburg, PA 17105-3608
DIMENSIONS: mm 	TOLERANCES UNLESS OTHERWISE SPECIFIED: 9 PLC ±.50 8 PLC ±.25 5 PLC ±.25 4 PLC ±.25 ANGLES ±.5 FINISH	NAME SOCKET CONNECTOR ASSEMBLY FLATPAQ SIZE CAGE CODE DRAWING NO A 100779 C-2085011 RESTRICTED TO	SCALE 1:1 SHEET 2 OF 3 REV B
MATERIAL	FINISH	WEIGHT	CUSTOMER DRAWING

LOC	DIST	REV	DATE	BY	APPD
-	-	1	-	-	-
DESCRIPTION			DATE	DWN	APPD
SEE SHEET 1			-	-	-



5. SOLDER TAIL DETAIL
SCALE: 10:1



6. SOLDER TERMINATION AREA

SCALE 40:1
 RECOMMENDED PRINTED CIRCUIT SOLDER HOLE
 FINISHED HOLE: Ø1.02 [.040] ± .08 [.003]
 DRILLED HOLE: Ø1.15 [.0453] ± .013 [.0005]
 COPPER PLATE: .025 [.0010] MIN
 TIN PLATE: .008 [.0003] MIN. (PER SURFACE)

<small>THIS DRAWING IS UNPUBLISHED. RELEASED FOR PUBLICATION 20. COPYRIGHT 20 BY TYCO ELECTRONICS CORPORATION. ALL RIGHTS RESERVED.</small>		DWN C. ROHLER 14OCT2008 CHK P. DAMATO 14OCT2008 APPD M. PERCHERKE 14OCT2008	Tyco Electronics Harrisburg, PA 17105-3608
DIMENSIONS: mm 	TOLERANCES UNLESS OTHERWISE SPECIFIED: 9 PLC ±.50 8 PLC ±.25 5 PLC ±.125 4 PLC ±.0625 ANGLES ±.5 FINISH	NAME SOCKET CONNECTOR ASSEMBLY PRODUCT SPEC APPLICATION SPEC WEIGHT CUSTOMER DRAWING	SIZE CAGE CODE DRAWING NO A 100779 C-2085011 RESTRICTED TO SCALE 4:1 SHEET 3 OF 3 REV B