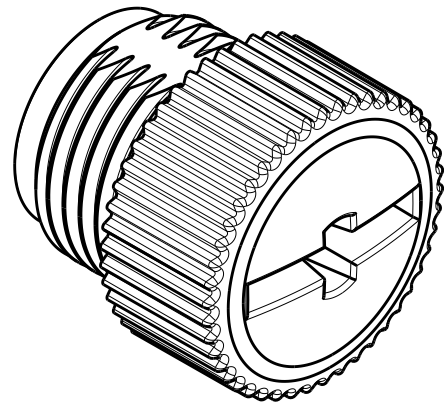
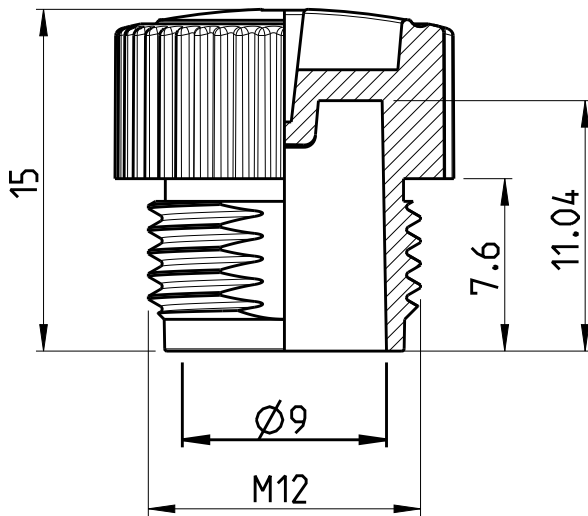


REVISIONS					
P	LTR	DESCRIPTION	DATE	DWN	APVD
	A	NEW RELEASE	19NOV2014	TJ	PS



AS SHOWN 2823064-1

NOTES:

1. PROTECTION: IP 67
2. ALL DIMENSIONS FOR REFERENCE ONLY UNLESS OTHERWISE TOLERANCES SPECIFIED.


20
RELEASED FOR PUBLICATION

ALL RIGHTS RESERVED.

BY -

© COPYRIGHT 20

THIS DRAWING IS UNPUBLISHED.

DIMENSIONS: mm	DWN CHIRASHREE	15OCT2014	MATERIAL	PA66	FINISH	-
	CHK M THAJUDEEN	05NOV2014	 TE Connectivity			
TOLERANCES UNLESS OTHERWISE SPECIFIED:	APVD PRASHANTH	05NOV2014				
0 PLC ±	PRODUCT SPEC	-	NAME PROTECTIVE CAP FOR M12X1 FEMALE SOCKET			
1 PLC ±	APPLICATION SPEC	-	SIZE	CAGE CODE	DRAWING NO	RESTRICTED TO
2 PLC ±			A 4	-	C-2823064	-
3 PLC ±			Customer Drawing			
4 PLC ±	WEIGHT	-	SCALE	3:1	SHEET	1 OF 1
ANGLES ±					REV	A

