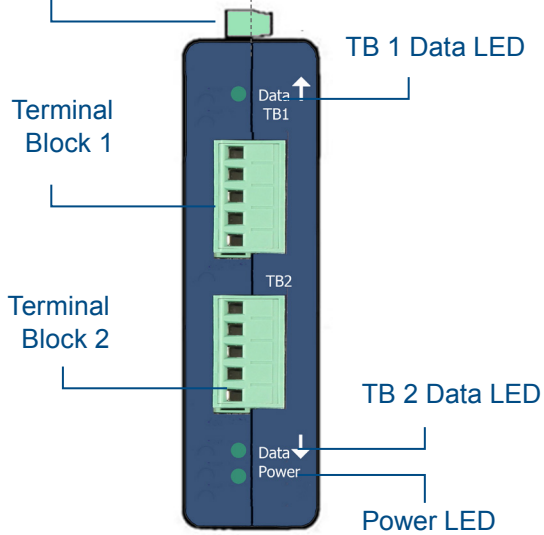


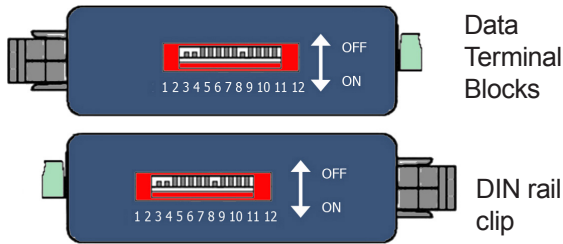
# Product Overview

Power Terminal Block  
10 to 48 VDC



## 1 | Set DIP Switches

Top view: Terminal Block 1



Bottom view: Terminal Block 2

### Communications Mode

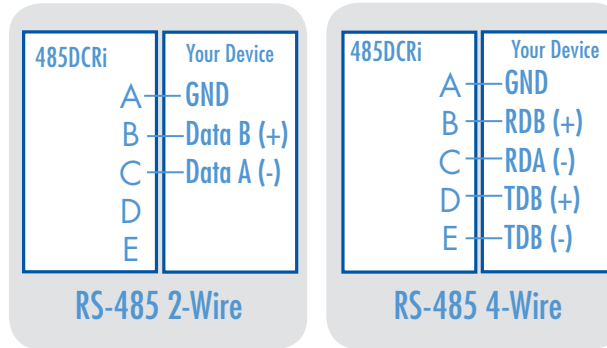
Communications Mode	Switch			
	1	2	3	4
RS-485 2-Wire Half Duplex	ON	ON	ON	ON
RS-485 4-Wire Full Duplex	ON	OFF	OFF	OFF
RS-422 Full Duplex	OFF	OFF	OFF	OFF

Built-In Termination Resistor	
Switch	5
Use the 120 Ω Built-in Termination	ON
Use External or No Termination	OFF

Built-In Transmit Bias Resistor	
Switch	6
Use the 1.2K Ω Built-in Bias Resistor	OFF
Use External or No Bias Resistor	ON

Built-In Receive Bias Resistor	
Switch	7
Use the 1.2K Ω Built-in Bias Resistor	OFF
Use External or No Bias Resistor	ON

## 2 | Wire the Repeater



DIP Switch		RS-485 2-Wire				
1	2	3	4	5	6	7
ON	ON	ON	ON	**	**	**
Positions 5-7 are used for termination and biasing Positions 8-12 are used to set the baud rate						

DIP Switch		RS-422/485 4-Wire				
1	2	3	4	5	6	7
**	OFF	OFF	OFF	**	**	**
Position 1 = ON for RS-485 Position 1 = OFF for RS-422 Positions 5-7 are used for termination and biasing Positions 8-12 are used to set the baud rate						

## 3 | RS-422/485 Timeout

Switch Selectable

Baud (kbps)	8	8	10	11	12	Timeout (ms)
2.4	ON	OFF	OFF	OFF	OFF	4.37
4.8	OFF	ON	OFF	OFF	OFF	2.03
9.6	OFF	OFF	ON	OFF	OFF	1.02
19.2	OFF	OFF	OFF	ON	OFF	0.57
38.4	OFF	OFF	OFF	OFF	ON	0.27

Resistor Selectable

Baud (kbps)	8-12	R-11 Value	Timeout (ms)
1.2	OFF	820 KΩ	8.32
57.6	OFF	16 KΩ	0.16
115.2	OFF	8.2 KΩ	0.08
230.4	OFF	4.3 KΩ	0.04
460.8	OFF	2.2 KΩ	0.02

Pre-defined timeouts are set using switches 8 through 12. Resistor selectable baud rates are set by inserting a through hole resistor (R-11) on the circuit board.

Timeout selections are equal to one character time at the indicated baud rate. Setting the converter to 9600 will generally work at 9600 and higher baud rates. In RS-422 mode, timeouts are not required.

## 4 | Check LEDs

### LEDs

TB1 LED	Flashes RED when RS-422/485 data is received on TB1
TB2 LED	Flashes RED when RS-422/485 data is received on TB2
Power LED	RED when power is applied

### Information – UL Class 1 Div 2

1. Power, input /output (I/O) wiring must be in accordance with Class 1 Division 2 wiring methods [Article 501.10(B) of the National Electric code, NFPA70] and in accordance with the local authority having jurisdiction.

2. Maximum ambient air temperature 80°C

3. WARNING – EXPLOSION HAZARD: SUBSTITUTION OF ANY COMPONENTS MAY IMPAIR SUITABILITY FOR CLASS 1, DIVISION 2.

4. WARNING – EXPLOSION HAZARD: WHEN IN HAZARDOUS LOCATIONS, TURNING OFF POWER BEFORE REPLACING OR WIRING MODULES

5. WARNING – EXPLOSION HAZARD: DO NOT DISCONNECT EQUIPMENT UNLESS POWER HAS BEEN SWITCHED OFF OR THE AREA IS KNOWN TO BE NON-HAZARDOUS.

6. WARNING – THIS APPARATUS IS SUITABLE FOR USE IN CLASS 1 DIVISION 2, GROUPS A, B, C, AND D, OR UNCLASSIFIED AREAS.

### Informations - UL Class 1 Div 2

1. Puissance, entrée / sortie (I / O) de câblage doivent être conformément à la classe 1 Division 2 câblage méthodes [Article 501.10 (B) de la National Code électrique, NFPA70] et conformément avec l'autorité locale compétente. température de l'air

2. ambiante maximale de 80 ° C

3. AVERTISSEMENT - RISQUE D'EXPLOSION: SUBSTITUTION DE TOUT COMPOSANT PEUT NUIRE suitability POUR LA CLASSE 1, SECTION 2.

4. MISE EN GARDE - RISQUE D'EXPLOSION: QUAND DANS DES ENDROITS DANGEREUX, COUPER L'ALIMENTATION AVANT REMPLACER OU MODULES DE RACCORDEMENT

5. MISE EN GARDE - RISQUE D'EXPLOSION: DO PAS déconnecter l'équipement sans ALIMENTATION A ÉTÉ ÉTEINT OU La région est connue pour être NONHAZARDOUS.

6. MISE EN GARDE - CET APPAREIL EST ADAPTÉ POUR UNE UTILISATION DANS LA CLASSE 1 DIVISION 2, GROUPES A, B, C, AN

### Recommended Accessories

#### MDR-20-24

DIN Rail Mount Power supply



#### HESP4DR

Dataline Surge Suppressor



**B+B SMARTWORX**

Powered by

**ADVANTECH**

1-888-948-2248 | Europe: +353 91 792444

[advantech-bb.com](http://advantech-bb.com)

707 Dayton Road | PO Box 1040 | Ottawa, IL 61350

Phone: 815-433-5100 | Fax: 815-433-5109

[www.advantech-bb.com](http://www.advantech-bb.com) | E-mail: [support@advantech-bb.com](mailto:support@advantech-bb.com)

## + QUICK START GUIDE



### 4850PDRI

Triple Isolated  
RS-422/485 Repeater

Before you begin, be sure you have the following:

+ 4850PRI

+ Required but not included:

- Power Supply (10 to 48 VDC)

- RS-422/485 Cable

**B+B SMARTWORX**

Powered by

**ADVANTECH**

Fast and easy on the web: [www.advantech-bb.com](http://www.advantech-bb.com)