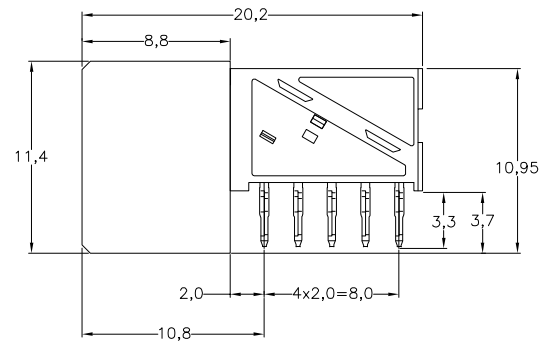
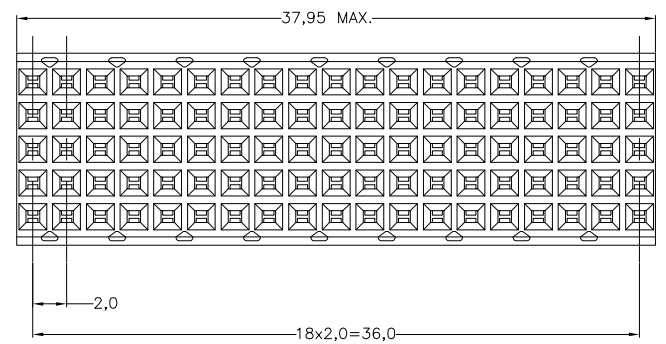
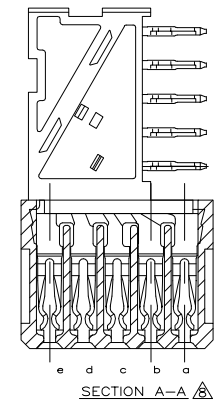
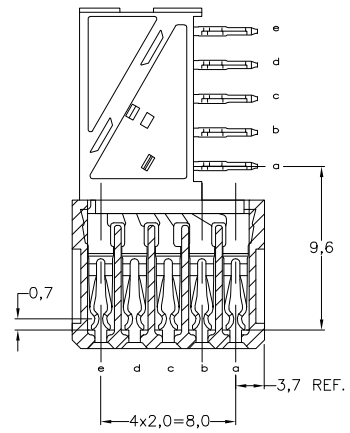
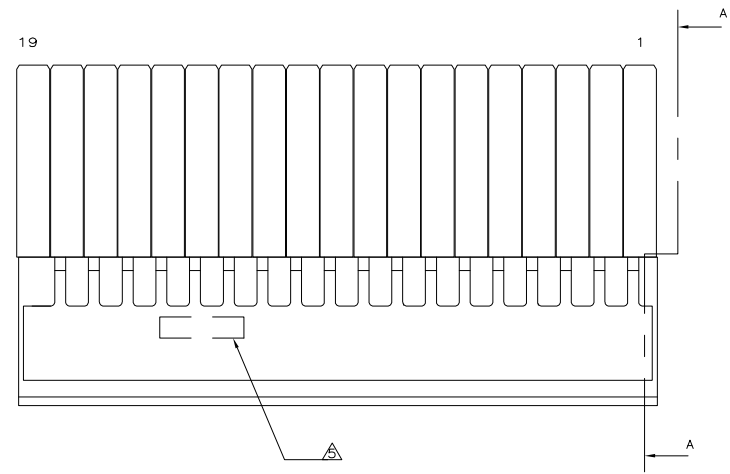
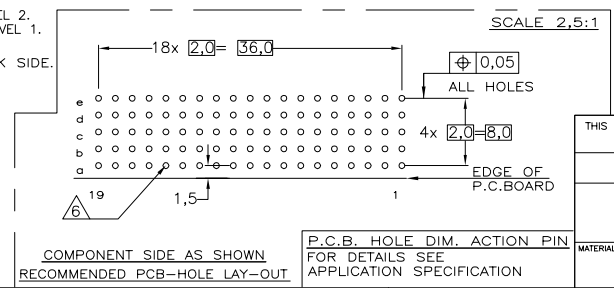


THIS DRAWING IS UNPUBLISHED. RELEASED FOR PUBLICATION
 © COPYRIGHT - By - ALL RIGHTS RESERVED.

LOC		DIST		REVISIONS			
P	LTR	DESCRIPTION	DATE	OWN	APP'D		
ES	00						
A		INITIAL RELEASE	14AUG2012	SY	AC		



- NOTES:**
- ⚠ MATERIAL CONTACT; PHOSPHORBRONZE
MATERIAL HOUSING;
GLASSFILLED POLYESTER UL-RATING 94VO (GRAY)
 - ⚠ GENERAL PLATING SPECIFICATION; UNDERPLATING (ENTIRE CONTACT): 1,27µm NICKEL MIN. AND ACTION PIN: 0,5µm TIN-LEAD MIN.
FOR PLATING OF MATING SURFACES SEE APPLICABLE SPECIFICATION REFERENCE FOR EACH DASH NUMBER.
 - ⚠ CONFORMS TO ALL TESTING ACCORDING IEC 61076-4-101 PERFORMANCE LEVEL 2.
 - ⚠ CONFORMS TO ALL TESTING ACCORDING IEC 61076-4-101 PERFORMANCE LEVEL 1.
 - ⚠ CONNECTOR PRINTED WITH PARTNUMBER AND DATECODE
THE MARKING CAN APPEAR ON THE FRONT SIDE OR ON THE BACK SIDE.
 - ⚠ PLATED-THROUGH HOLES AT 2x2mm SQUARE GRID. 95 HOLES
FITS WITH INTEGRATED GROUND RETURN UPSHIELD,
BASIC P.N. 352028
AND INTEGRATED GROUND RETURN LOWERSHIELD,
BASIC P.N. 352029
 - ⚠ CONNECTOR ASSEMBLED WITH ALTERNATE FEMALE CONTACTS.
1.27µm MIN GOLD PLATING AT MATING SURFACES, NO LUBRICANT.



THIS DRAWING IS A CONTROLLED DOCUMENT.

DIMENSIONS:	TOLERANCES UNLESS OTHERWISE SPECIFIED:
mm	
0-PLC	±
1-PLC	±
2-PLC	±
3-PLC	±
4-PLC	±
ANGLES:	
FINISH:	

FINISH	MATERIAL	2170349-5
PARTNUMBER		
TE TE Connectivity		
OWN: SANDERS, YAN DATE: 10MAY2012	NAME: ALEX CAI DATE: 10MAY2012	RESTRICTED TO
PRODUCT SPEC: 108-19082	APPLICATION SPEC: 114-19029	
SIZE: A2	CAGE CODE: 00779	DRAWING NO: 2170349
CUSTOMER DRAWING		SCALE: NTS SHEET 1 of 1 REV: A