

Technical specification:

Rated voltage: IEC 61076-2-101	5pos 60 V
Current rating: IEC 61076-2-101	4 A at 40°C
Insulation resistance: IEC 60512	>=100 MΩ
Pollution degree: IEC 60664-1	3/2
Degree of protection: IEC 60529	IP 67, in mated condition
Temperature range: IEC 60664-1	-30°C ... +80°C
Mating cycles: IEC 60512-9a	>=100

Materials:

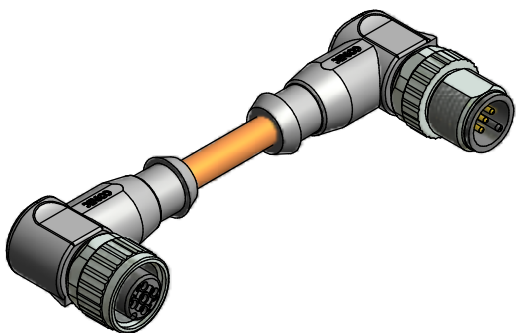
Contact:	CuZn
Contact plating:	Nickel, gold plated
Contact carrier:	TPU GF, UL 94
Sealing:	FPM
Coupling nut/ screw:	GD-Zn, nickel plated
Moulding body:	TPU, UL 94, grey

Installation specification:

Recommended torque:	0,6 Nm
Conec installation tool:	Torque wrench: 36-000200 Insert across flats 13: 36-000220

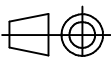

Contact assignment:

- 1) brown
- 2) white
- 3) blue
- 4) black
- 5) green-yellow



Part no:	Description:	Length L:	Cable:
43-14685	SAL - 12 - RKW5 - RSW5 - 0,3 / J1 / A1090	0,3m	TPU, UL 20549, orange, 5x0,34mm ² Cable: 781-J13500
43-14686	SAL - 12 - RKW5 - RSW5 - 0,6 / J1 / A1090	0,6m	
43-14687	SAL - 12 - RKW5 - RSW5 - 1,5 / J1 / A1090	1,5m	
43-14688	SAL - 12 - RKW5 - RSW5 - 3,0 / J1 / A1090	3m	
43-xxxxx	SAL - 12 - RKW5 - RSW5 - ... / J1 / A1090	x	

D see data sheet cable

DO NOT ALTER CAD DRAWING BY HAND	Directive 2002/95/EC RoHS compliant	 dim. in mm		title: Connecting cable M12x1, female connector angled - male connector angled		
		tolerance of cable: L ≤ 4m: L + 40mm L > 4m: L + 1%				
		THIS DRAWING MAY NOT BE COPIED OR REPRODUCED IN ANY WAY, AND MAY NOT BE PASSED ON TO A THIRD PARTY WITHOUT WRITTEN PERMISSION. OWNERSHIP AND COPYRIGHT OF CONEC GmbH				dwg no: 43K1A1298
		date name drawn 19.01.11 Franz appd. 19.01.11 Mankopf		part no: see table		