

注記
NOTES:
~~~~~

1.材質  
MATERIAL  
ハウジング:LCP(液晶ポリマー)、ガラス充填、ナチュラル色、UL94V-0  
HOUSING:LIQUID CRYSTAL POLYMER, GLASS FILLED, COLOR:NATURAL, UL94V-0  
アクチュエータ:ポリアミド9T、ガラス充填、茶色、UL94V-0  
ACTUATOR:POLYAMIDE 9T, GLASS FILLED, COLOR:BROWN, UL94V-0  
ターミナル:燐青銅 (t=0.15)  
TERMINAL:PHOSPHOR BRONZE (t=0.15)  
グラウンドターミナル:燐青銅 (t=0.15)  
GROUND TERMINAL:PHOSPHOR BRONZE (t=0.15)

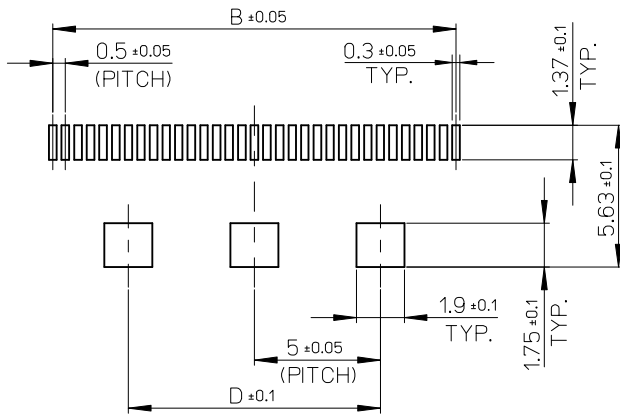
2.めっき仕様  
PLATING  
ターミナル  
TERMINAL  
金めっき  
GOLD PLATING  
下地ニッケルめっき  
UNDER PLATING:NICKEL PLATING  
グラウンドターミナル  
GROUND TERMINAL  
錫めっき  
TIN PLATING  
下地ニッケルめっき  
UNDER PLATING:NICKEL PLATING

3.平坦度は、0.1ミリ以下とする。  
TAILS COPLANARITY TO BE 0.1 MAXIMUM.

△ 使用するFFCはターミナル用パターン導体部とグラウンドターミナル用パターン導体部が重ならないこと。  
FFC IS NOT OVER LAP PATTERN OF TERMINAL AND GROUND TERMINAL.

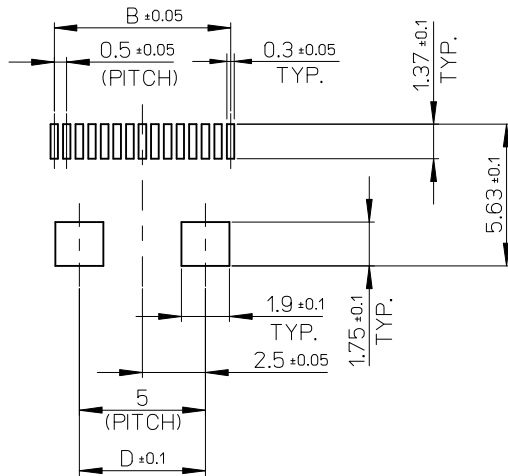
|                                  |                 |     |      |      |               |                      |                |
|----------------------------------|-----------------|-----|------|------|---------------|----------------------|----------------|
| 3                                | 10              | 10  | 16   | 19.8 | 502231-3300   | 502231-3309          | 33             |
| 2                                | 5               | 10  | 11.5 | 15.3 | 502231-2400   | 502231-2409          | 24             |
| 2                                | 5               | 6.2 | 7    | 10.8 | 502231-1500   | 502231-1509          | 15             |
| グラウンドターミナルピン数<br>GROUND TERM QT. | D               | C   | B    | A    | EMBOSSED TAPE | 製品番号<br>MATERIAL NO. | 極数<br>CIRCUITS |
|                                  | ORDER No. オート番号 |     |      |      |               |                      |                |

|                                                                                                                  |                                          |                                                            |                            |                                                                                                                                  |                                                                               |                               |                           |
|------------------------------------------------------------------------------------------------------------------|------------------------------------------|------------------------------------------------------------|----------------------------|----------------------------------------------------------------------------------------------------------------------------------|-------------------------------------------------------------------------------|-------------------------------|---------------------------|
| REVISED<br>EC NO.: J2009-2073<br>DRWN:MTAKASAKI 2009/03/13<br>CHKD:MHAYASHI 2009/03/13<br>APPR:NUKITA 2009/03/13 | GENERAL TOLERANCES<br>(UNLESS SPECIFIED) |                                                            | DIMENSION STYLE<br>MM ONLY |                                                                                                                                  | SCALE<br>10:1                                                                 | DESIGN UNITS<br>METRIC        | THIRD ANGLE<br>PROJECTION |
|                                                                                                                  | 10 UNDER                                 | ±0.2                                                       | DRAWN BY<br>TRSUZUKI       | DATE<br>2006/08/24                                                                                                               | TITLE<br>0.5 FFC CONN HSG ASSY<br>FOR LVDS E/O STRAIGHT<br>(GOLD) -LEAD FREE- |                               |                           |
|                                                                                                                  | 10 OVER 30 UNDER                         | ±0.25                                                      | CHECKED BY<br>HHIRATA      | DATE<br>2006/08/24                                                                                                               | MOLEX INCORPORATED                                                            |                               |                           |
|                                                                                                                  | 30 OVER                                  | ±0.3                                                       | APPROVED BY<br>MSASAO      | DATE<br>2006/08/24                                                                                                               | MATERIAL NO.<br>SEE CHART                                                     | DOCUMENT NO.<br>SD-502231-001 | SHEET NO.<br>1 OF 2       |
|                                                                                                                  | ANGULAR ±1 °                             | DRAFT WHERE APPLICABLE<br>MUST REMAIN<br>WITHIN DIMENSIONS |                            | THIS DRAWING CONTAINS INFORMATION THAT IS PROPRIETARY TO MOLEX<br>INCORPORATED AND SHOULD NOT BE USED WITHOUT WRITTEN PERMISSION |                                                                               |                               |                           |



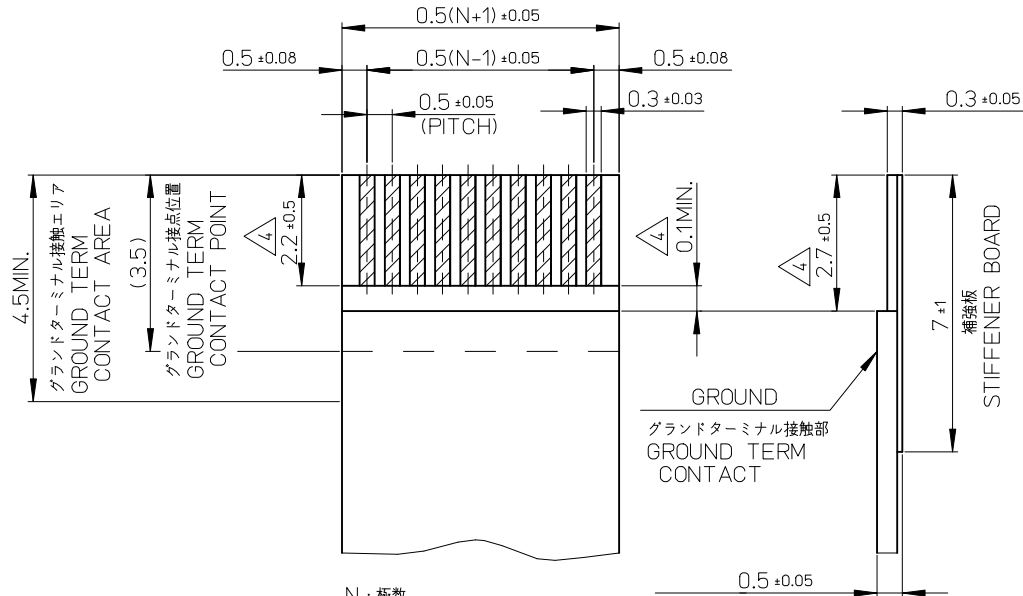
参考基板レイアウト  
(グラウンドターミナルピン数: 奇数品に適用)

P.C. BOARD PATTERN LAYOUT  
(GROUND TERMINAL QUANTITY : ODD NUMBER)



参考基板レイアウト  
(グラウンドターミナルピン数: 偶数品に適用)

P.C. BOARD PATTERN LAYOUT  
(GROUND TERMINAL QUANTITY : EVEN NUMBER)



N : 極数  
N : CIRCUITS

適合FFC推奨寸法  
APPLICABLE FFC  
RECOMMENDED DIMENSION

先端から5mm迄維持すること  
(コネクタグラウンドターミナル接触部)  
MAINTAIN MEASURE FROM  
THE POINT TO 5mm  
(GROUND TERM CONTACT)

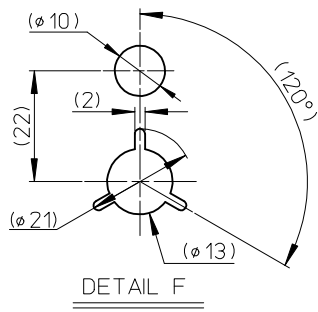
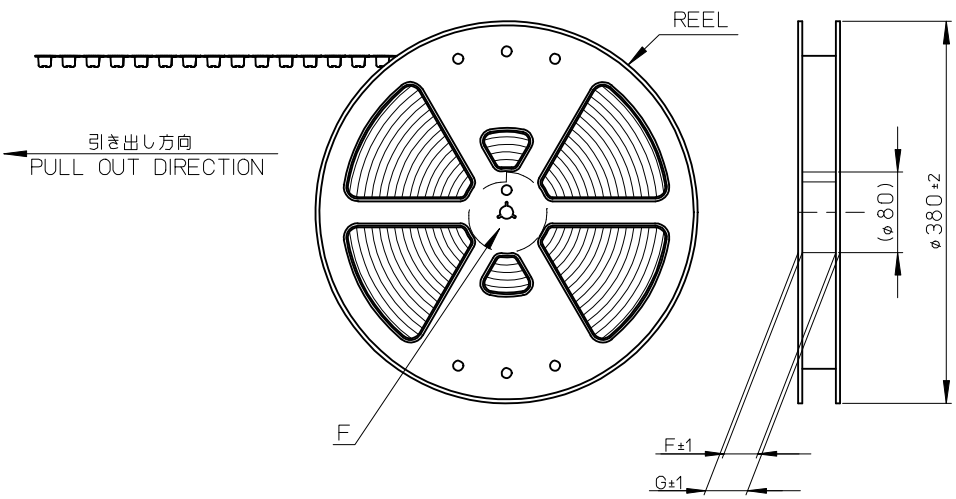
FFCについて:

抜き方向は導体側から補強板側を推奨致します。  
導体部については、軟銅箔: 35マイクロメーター又は50マイクロメーター  
金めっきを推奨致します。

ABOUT FFC:

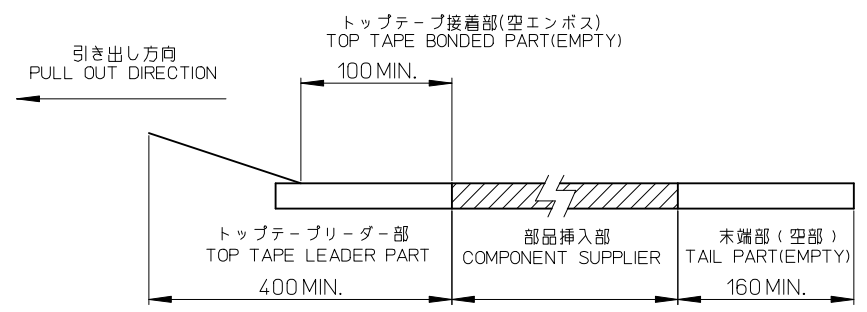
RECOMMENDED PUNCHER DIRECTION :  
FROM CONDUCTOR SIDE TO STIFFENER FILM SIDE.  
RECOMMENDED CONDUCTOR SPEC :  
THICKNESS OF SOFT COPPER :  
35 MICROMETER OR 50 MICROMETER  
GOLD PLATING

|                                                                                                                     |             |                                                      |            |                                                                                                                               |               |                                                                |                        |  |
|---------------------------------------------------------------------------------------------------------------------|-------------|------------------------------------------------------|------------|-------------------------------------------------------------------------------------------------------------------------------|---------------|----------------------------------------------------------------|------------------------|--|
| SEE SHEET 1<br>EC NO.: J2009-2073<br>DRWN:MTAKASAKI 2009/03/13<br>CHKD:HIYASHI 2009/03/13<br>APPR:NUKITA 2009/03/13 | DESCRIPTION | GENERAL TOLERANCES (UNLESS SPECIFIED)                |            | DIMENSION STYLE                                                                                                               | SCALE         | DESIGN UNITS                                                   | THIRD ANGLE PROJECTION |  |
|                                                                                                                     |             |                                                      |            | MM ONLY                                                                                                                       | 5:1           | METRIC                                                         |                        |  |
|                                                                                                                     |             | 10 UNDER                                             | $\pm 0.2$  | DRAWN BY                                                                                                                      | DATE          | TITLE                                                          |                        |  |
|                                                                                                                     |             | 10 OVER 30 UNDER                                     | $\pm 0.25$ | TRSUZUKI                                                                                                                      | 2006/08/24    | 0.5 FFC CONN HSG ASSY FOR LVDS E/O STRAIGHT (GOLD) -LEAD FREE- |                        |  |
|                                                                                                                     |             | 30 OVER                                              | $\pm 0.3$  | CHECKED BY                                                                                                                    | DATE          | MOLEX INCORPORATED                                             |                        |  |
|                                                                                                                     |             | APPROVED BY                                          | DATE       | MATERIAL NO.                                                                                                                  | DOCUMENT NO.  | SHEET NO.                                                      |                        |  |
|                                                                                                                     |             | MSASAO                                               | 2006/08/24 | SEE SHEET 1                                                                                                                   | SD-502231-001 | 2 OF 2                                                         |                        |  |
|                                                                                                                     |             | ANGULAR $\pm 1^\circ$                                |            | THIS DRAWING CONTAINS INFORMATION THAT IS PROPRIETARY TO MOLEX INCORPORATED AND SHOULD NOT BE USED WITHOUT WRITTEN PERMISSION |               |                                                                |                        |  |
|                                                                                                                     |             | DRAFT WHERE APPLICABLE MUST REMAIN WITHIN DIMENSIONS |            |                                                                                                                               |               |                                                                |                        |  |



NOTES

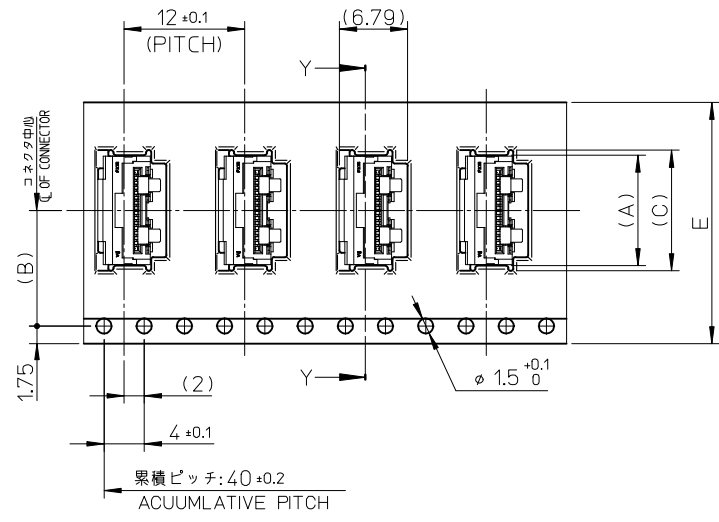
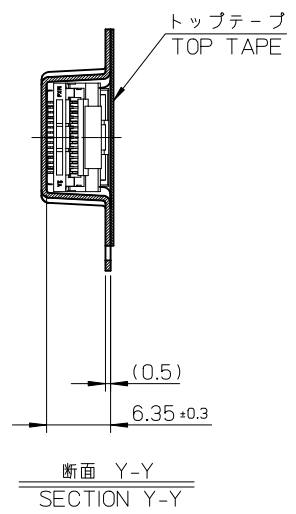
- 製品詳細寸法につきましては、製品単体図面を参照して下さい。  
FOR DETAIL OF CONNECTOR DIMENSIONS,  
PLEASE SEE THE DRAWING OF CONNECTOR ITSELF (NOT PACKAGED).
- 梱包数量：1000個/リール  
NUMBER OF CONNECTORS：1000PCS/REEL
- リードテープの長さ  
LEAD TAPE LENGTH



4. 材料  
MATERIAL
- キャリアテープ：ポリスチレン (PS)  
CARRIER TAPE：POLYSTYRENE (PS)
  - トップテープ：PET, OTHER  
TOP TAPE：PET, OTHER
  - リール：ポリスチレン (リサイクル材を含む)  
REEL：POLYSTYRENE (RECYCLE MATERIAL CONTAINED)

|                                                                                                                   |                    |                                                      |        |                             |                    |                                                                                                                               |                        |                        |  |
|-------------------------------------------------------------------------------------------------------------------|--------------------|------------------------------------------------------|--------|-----------------------------|--------------------|-------------------------------------------------------------------------------------------------------------------------------|------------------------|------------------------|--|
| REVISED<br>EC NO: J2009-2073<br>DRAWN: TAKASAKI 2009/03/13<br>CHKD: HAYASHI 2009/03/13<br>APPR: NUKITA 2009/03/13 | DESCRIPTION<br>REV | GENERAL TOLERANCES (UNLESS SPECIFIED)                |        | DIMENSION STYLE<br>MM ONLY  |                    | SCALE<br>---                                                                                                                  | DESIGN UNITS<br>METRIC | THIRD ANGLE PROJECTION |  |
|                                                                                                                   |                    | 10 UNDER                                             | ± 0.2  | DRAWN BY<br>TRSUZUKI        | DATE<br>2006/08/24 | TITLE<br>0.5 FFC CONN EMBSTP PKG<br>FOR LVDS E/O STRAIGHT<br>(GOLD) -LEAD FREE-                                               |                        |                        |  |
|                                                                                                                   |                    | 10 OVER 30 UNDER                                     | ± 0.25 | CHECKED BY<br>HHIRATA       | DATE<br>2006/08/24 | MOLEX INCORPORATED                                                                                                            |                        |                        |  |
|                                                                                                                   |                    | 30 OVER                                              | ± 0.3  | APPROVED BY<br>MSASAO       | DATE<br>2006/08/24 | DOCUMENT NO.<br>SD-502231-002                                                                                                 |                        |                        |  |
| ANGULAR ± 1 °                                                                                                     |                    | DRAFT WHERE APPLICABLE MUST REMAIN WITHIN DIMENSIONS |        | MATERIAL NO.<br>SEE SHEET 2 |                    | SHEET NO.<br>1 OF 3                                                                                                           |                        |                        |  |
|                                                                                                                   |                    |                                                      |        | SIZE<br>A3                  |                    | THIS DRAWING CONTAINS INFORMATION THAT IS PROPRIETARY TO MOLEX INCORPORATED AND SHOULD NOT BE USED WITHOUT WRITTEN PERMISSION |                        |                        |  |

引き出し方向  
PULL OUT DIRECTION



|      |      |                                     |     |     |      |     |                   |                      |                |
|------|------|-------------------------------------|-----|-----|------|-----|-------------------|----------------------|----------------|
| 29.4 | 25.4 | 24 ± 0.3                            | --- | 12  | 11.5 | 11  | 502231-1509       | 502231-1500          | 15             |
| G    | F    | E<br>キャリアテープ幅<br>CARRIER TAPE WIDTH | D   | (C) | (B)  | (A) | 製品単体<br>CONNECTOR | 製品番号<br>MATERIAL NO. | 極数<br>CIRCUITS |

|                                                                                                                          |             |                                       |                                                      |                           |                                                                                                                               |                               |
|--------------------------------------------------------------------------------------------------------------------------|-------------|---------------------------------------|------------------------------------------------------|---------------------------|-------------------------------------------------------------------------------------------------------------------------------|-------------------------------|
| SEE SHEET 1<br>EC NO: J2009-2073<br>DRW: N. AKASAKI 2009/03/13<br>CHK: D. HAYASHI 2009/03/13<br>APPR: N. KITA 2009/03/13 | DESCRIPTION | GENERAL TOLERANCES (UNLESS SPECIFIED) | DIMENSION STYLE<br>MM ONLY                           | SCALE<br>---              | DESIGN UNITS<br>METRIC                                                                                                        | THIRD ANGLE PROJECTION        |
|                                                                                                                          | REV         | 10 UNDER ± 0.2                        | DRAWN BY<br>TRSUZUKI                                 | DATE<br>2006/08/24        | TITLE<br>0.5 FFC CONN EMBSTP PKG FOR LVDS E/O STRAIGHT (GOLD) -LEAD FREE-                                                     |                               |
|                                                                                                                          |             | 10 OVER 30 UNDER ± 0.25               | CHECKED BY<br>HIRATA                                 | DATE<br>2006/08/24        | APPROVED BY<br>MSASAO                                                                                                         |                               |
|                                                                                                                          |             | 30 OVER ± 0.3                         | DATE<br>2006/08/24                                   | MATERIAL NO.<br>SEE CHART |                                                                                                                               | DOCUMENT NO.<br>SD-502231-002 |
|                                                                                                                          |             | ANGULAR ± 1 °                         | DRAFT WHERE APPLICABLE MUST REMAIN WITHIN DIMENSIONS | SIZE<br>A3                | THIS DRAWING CONTAINS INFORMATION THAT IS PROPRIETARY TO MOLEX INCORPORATED AND SHOULD NOT BE USED WITHOUT WRITTEN PERMISSION |                               |

10 9 8 7 6 5 4 3 2 1

F

E

D

C

B

A

F

E

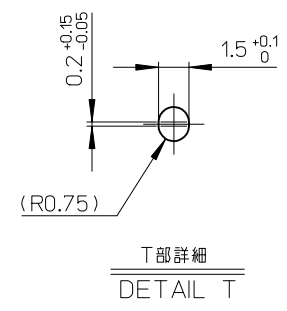
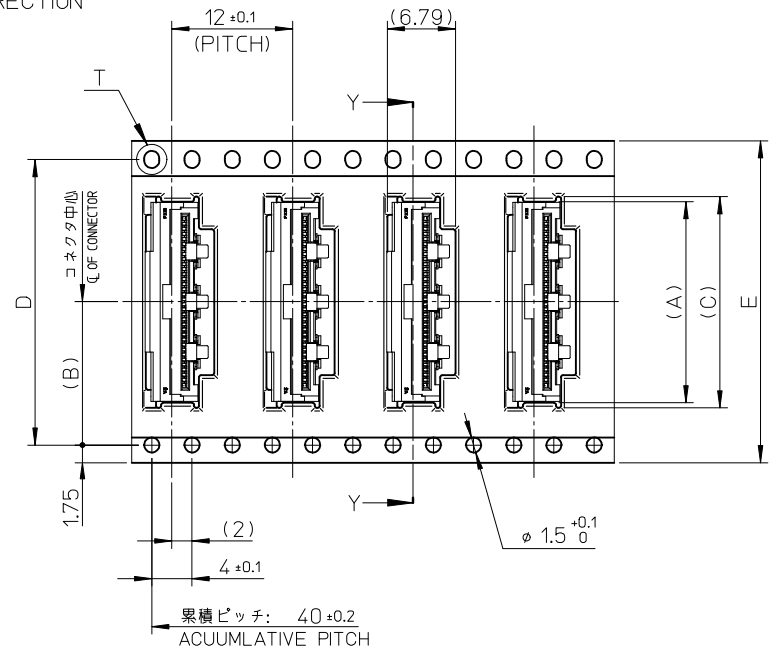
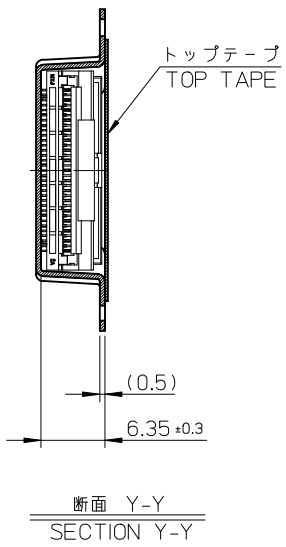
D

C

B

A

引き出し方向  
PULL OUT DIRECTION



|      |      |                                     |      |           |      |           |                   |                      |                |
|------|------|-------------------------------------|------|-----------|------|-----------|-------------------|----------------------|----------------|
| 37.4 | 33.4 | 32 ± 0.3                            | 28.4 | 21 / 16.5 | 14.2 | 20 / 15.5 | 502231-3309       | 502231-3300          | 33             |
|      |      |                                     |      |           |      |           | 502231-2409       | 502231-2400          | 24             |
| G    | F    | E<br>キャリアテープ幅<br>CARRIER TAPE WIDTH | D    | (C)       | (B)  | (A)       | 製品単体<br>CONNECTOR | 製品番号<br>MATERIAL NO. | 極数<br>CIRCUITS |

|                                                                                                                      |             |                                       |                                                      |                            |                    |                                                                           |                        |                        |  |
|----------------------------------------------------------------------------------------------------------------------|-------------|---------------------------------------|------------------------------------------------------|----------------------------|--------------------|---------------------------------------------------------------------------|------------------------|------------------------|--|
| SEE SHEET 1<br>EC NO: J2009-2073<br>DRAWN: AKASAKI 2009/03/13<br>CHKD: HAYASHI 2009/03/13<br>APPR: NUKITA 2009/03/13 | DESCRIPTION | GENERAL TOLERANCES (UNLESS SPECIFIED) |                                                      | DIMENSION STYLE<br>MM ONLY |                    | SCALE<br>---                                                              | DESIGN UNITS<br>METRIC | THIRD ANGLE PROJECTION |  |
|                                                                                                                      |             | 10 UNDER                              | ± 0.2                                                | DRAWN BY<br>TRSUZUKI       | DATE<br>2006/08/24 | TITLE<br>0.5 FFC CONN EMBSTP PKG FOR LVDS E/O STRAIGHT (GOLD) -LEAD FREE- |                        |                        |  |
|                                                                                                                      |             | 10 OVER 30 UNDER                      | ± 0.25                                               | CHECKED BY<br>HIRATA       | DATE<br>2006/08/24 | MOLEX MOLEX INCORPORATED                                                  |                        |                        |  |
|                                                                                                                      |             | 30 OVER                               | ± 0.3                                                | APPROVED BY<br>MSASAO      | DATE<br>2006/08/24 |                                                                           |                        |                        |  |
|                                                                                                                      |             | ANGULAR ± 1 °                         | DRAFT WHERE APPLICABLE MUST REMAIN WITHIN DIMENSIONS | MATERIAL NO.<br>SEE CHART  |                    | DOCUMENT NO.<br>SD-502231-002                                             | SHEET NO.<br>3 OF 3    |                        |  |