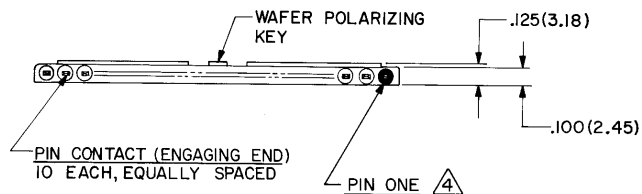
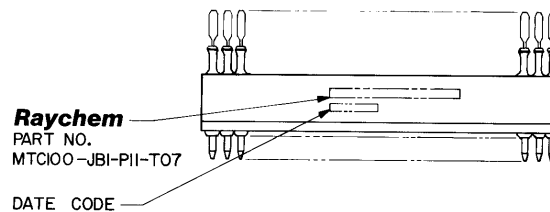
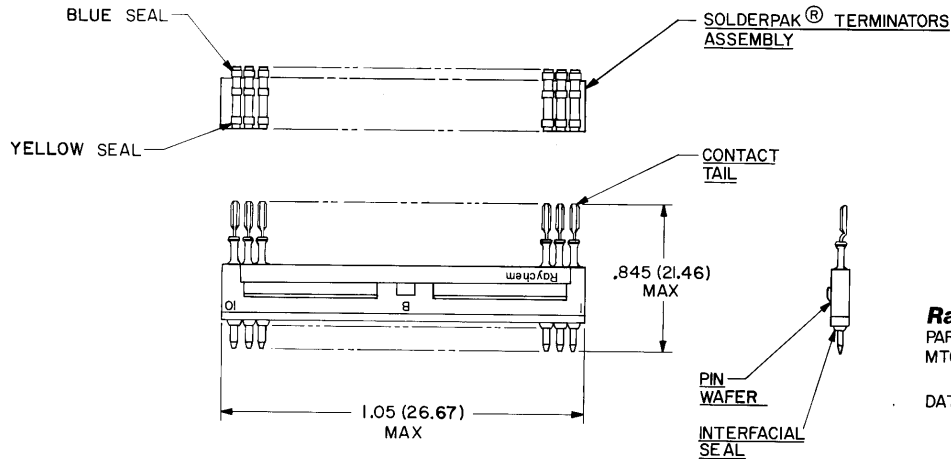


REVISIONS				
ZONE	LTR	DESCRIPTION	DATE	APPROVED
-	A	CHG'D PER DCO #T-02583	W.J.	



△ WEIGHT (MAX.)  $\approx$   $\frac{\text{LBS. | GRAMS}}{.0047 | 2.12}$

△ PIN ONE : PIN NUMBER ONE MARKED IN CONTRASTING COLOR ON INTERFACIAL SEAL.

3. WAFER : WAFER MEETS THE REQUIREMENTS OF RAYCHEM SPECIFICATION D-6012.

2. FINISH  $\approx$  2-A PIN WAFER; FINISH TO BE AS MOLDED.  
 2-B PIN CONTACT; GOLD PLATE PER MIL-G-45204, CLASS I.  
 (ENGAGING END)  
 2-C CONTACT TAIL; COATED WITH SOLDER PER QQ-S-571.

1. MATERIAL  $\approx$  1-A PIN WAFER; HIGH GRADE POLYARYLENE THERMO-PLASTIC.  
 1-B PIN CONTACT; COPPER ALLOY PER QQ-B-613 OR QQ-C-502.  
 1-C INTERFACIAL SEAL; SILICONE ELASTOMER PER MIL-R-25988.  
 1-D SOLDERPAK® TERMINATORS ASSY; REFER TO RAYCHEM DWG. CTA-0035 FOR DATA.

#### NOTES

DO NOT SCALE THIS DRAWING

If this document is printed it becomes uncontrolled.  
 Check with the web for latest revision.

© Raychem Corporation 1981

### SPECIFICATION CONTROL DRAWING

UNLESS OTHERWISE SPECIFIED DIMENSIONS ARE IN INCHES BRACKETED DIMENSIONS ( ) ARE METRIC AND TOLERANCES ARE:  .XXX: $\pm .005$ (0.13 M.M.) .XX: $\pm .02$ (0.51 M.M.) .X: $\pm .05$ (1.27 M.M.) .: $\pm .10$ (2.54 M.M.)	DRAWN	W.V.J.	1-15-81	<b>Raychem</b> <small>RAYCHEM CORPORATION            300 CONSTITUTION DRIVE            MENLO PARK, CALIFORNIA 94025</small> TITLE KIT, 1" PIN WAFER "B" WITH SOLDERPAK® TERMINATORS, FOR ROUND WIRE (20-26 AWG), 125°C TEMPERATURE RATING MTC 100 SERIES
	CHECKED	SB		
	APPROVED	W.J.	1-22-81	
	APPROVED	W.J.	2-6-81	
	APPROVED			
	SIZE	CODE IDENT	DWG. NO.	
	C	NO. 06090	MTC100-JBI-PII-T07	
	WEIGHT	△	SHEET	OF