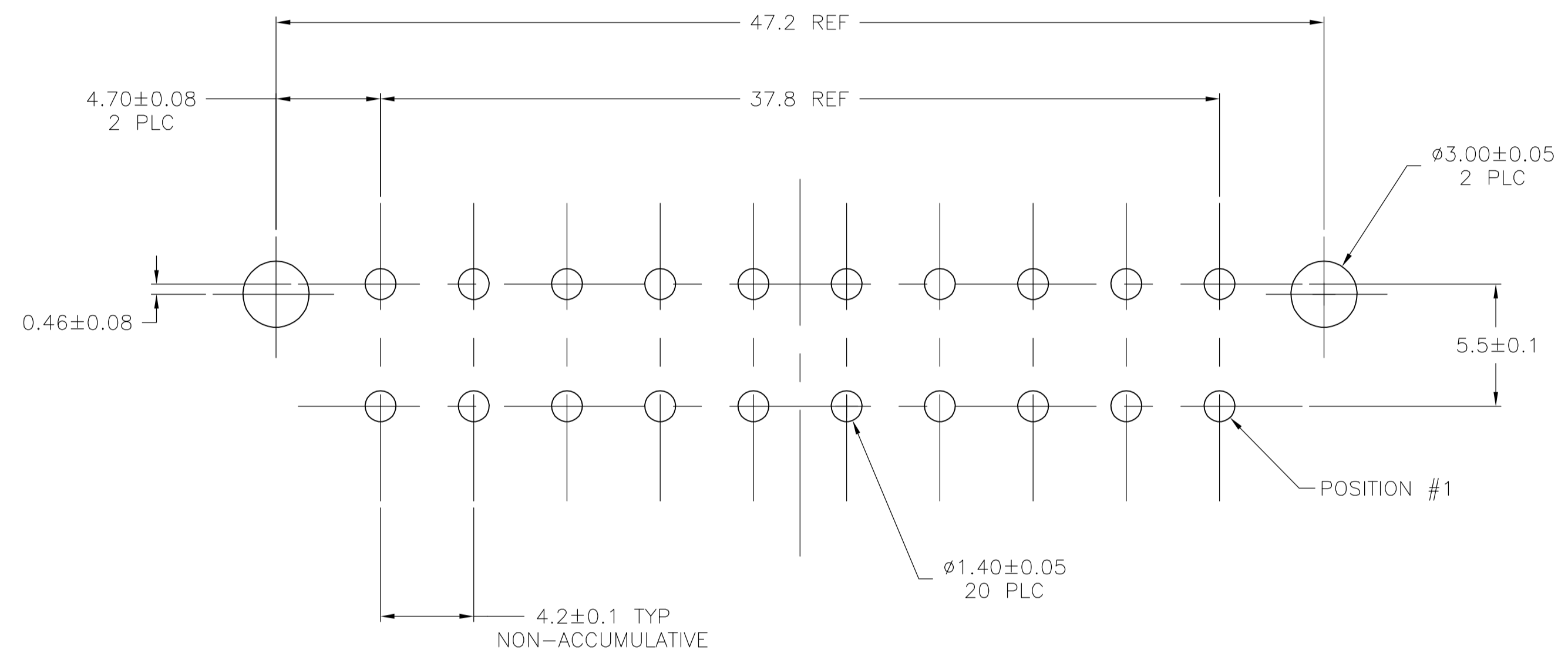
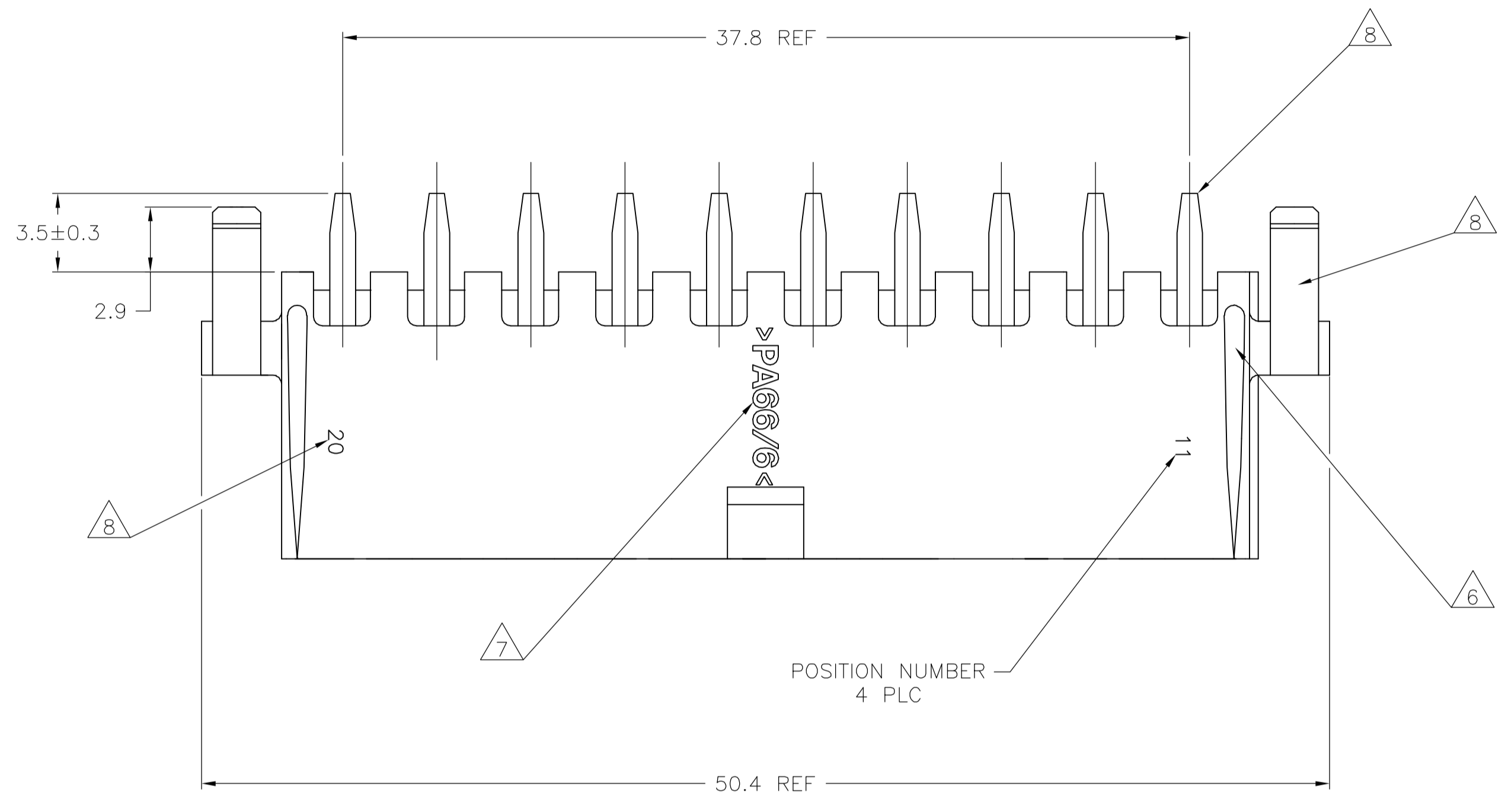
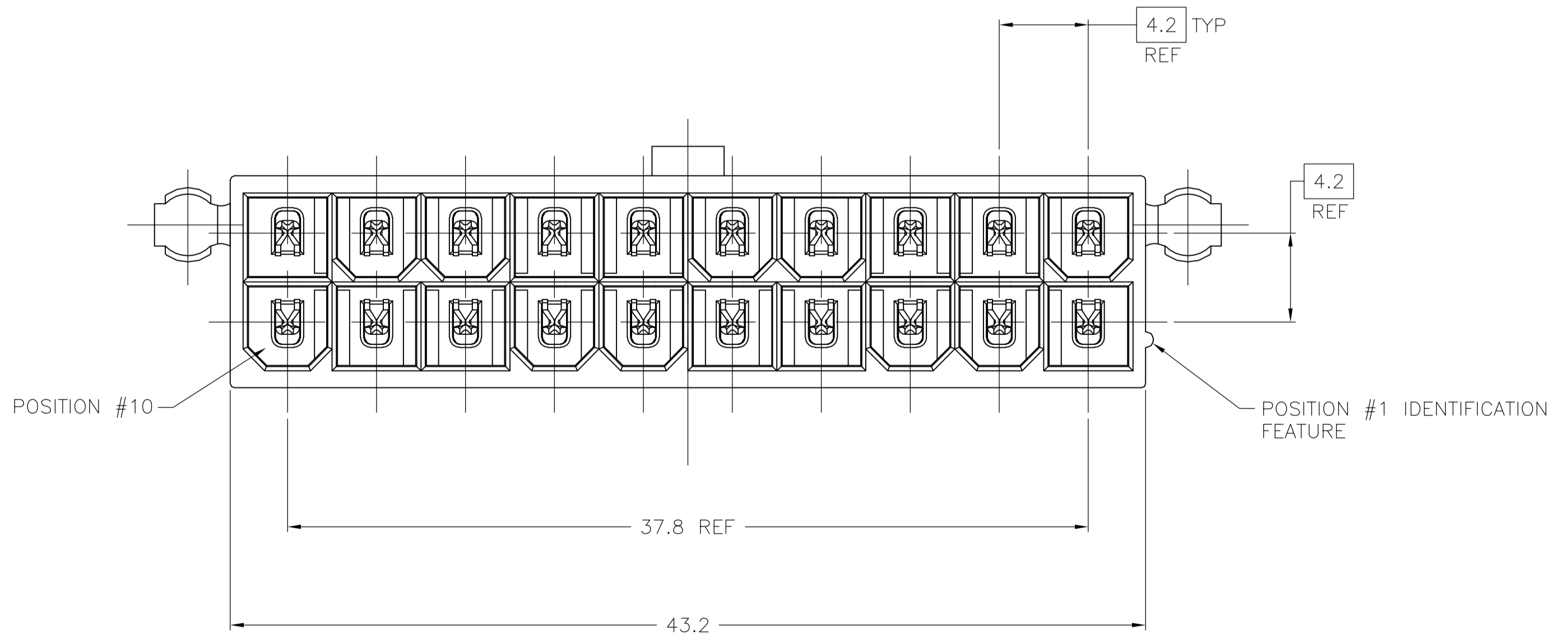
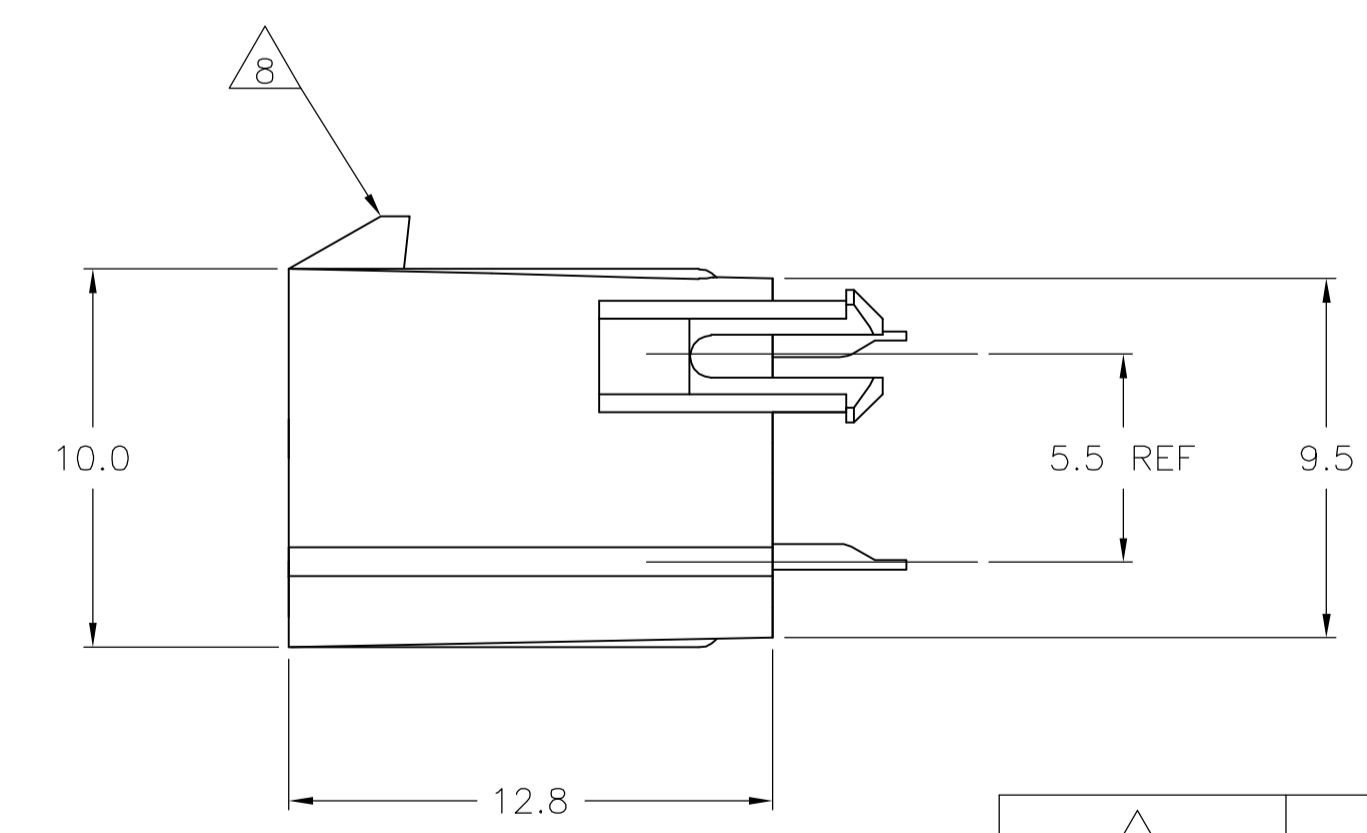


LOC		DIST		REVISIONS			
CM	O	REV	DATE	BY	APP'D	DATE	BY
E	ECO-06-013135		22JUN06	BSV	DC		

- 1 MATERIAL:
HOUSING: NYLON, UL94V-0 (COLOR - NATURAL, COLOR OF PARTS MAY VARY).
CONTACTS: 0.25 THK COPPER ALLOY.
- 2 CONTACT FINISH: 0.003 MIN THK TIN-LEAD OVER 0.00127 MIN THK NICKEL OVER ENTIRE CONTACT.
- 3 CONTACT FINISH: 0.00076 MIN THK GOLD PLATE ON PIN MATING SURFACE, 0.003 MIN THK TIN-LEAD PLATE ON SOLDER TAIL, ALL OVER 0.00127 MIN THK NICKEL BASE PLATE.
- 4 SOLDER TAIL MEETS AMP SOLDERABILITY SPECIFICATION 109-11-2.
- 5 MATES WITH SIMILARLY PLATED AMP-DUAC™ POWER CONNECTOR RECEPTACLE HOUSINGS/SOCKET CONTACTS.
- 6 RIBS ON FOUR CORNERS OPTIONAL.
- 7 AMP LOGO AND MATERIAL ID MAY BE LOCATED ON EITHER LONG SIDE OF PART.
- 8 SIZE, SHAPE OR STYLE OF THIS FEATURE MAY VARY.
- 9 CONTACT FINISH: 0.003 MIN THK TIN OVER 0.00127 MIN THK NICKEL OVER ENTIRE CONTACT.
- 10 CONTACT FINISH: 0.00076 MIN THK GOLD PLATE ON PIN MATING SURFACE, 0.003 MIN THK TIN PLATE ON SOLDER TAIL, ALL OVER 0.00127 MIN THK NICKEL BASE PLATE.



RECOMMENDED MOUNTING HOLE PATTERN
 FOR 1.78 MAX THICK P.C. BOARD
 COMPONENT SIDE SHOWN



SUPERCEDED BY 1-794455-2

SUPERCEDED BY 1-794455-1

1	10	1	1	1-794455-2
1	9	1	1	1-794455-1
1	3	1	1	794455-2
1	2	1	1	794455-1
MATERIAL	FINISH	MATERIAL	COLOR	PART NO.

CONTACT		HOUSING		PART NO.
THIS DRAWING IS A CONTROLLED DOCUMENT.	DIN R VESTAL 27MAY98	tyco	Tyco Electronics Corporation	
DIMENSIONS: mm	TOLERANCES UNLESS OTHERWISE SPECIFIED:	CHK R SWING 27MAY98	Harrisburg, Pa 17105-3608	
0 PLC ± -	1 PLC ± 0.2	APVD C CASH 27MAY98	NAME	ASSEMBLY, HEADER, VERTICAL, 20 POSITION, W/PEGS, W/DRAIN HOLES, 94V-0, AMP-DUAC
2 PLC ± 0.13	3 PLC ± -	PRODUCT SPEC	SIZE	108-1699
4 PLC ± -	ANGLES ± 0.30°	APPLICATION SPEC	SCALE	5:1
MATERIAL SEE TABLE	FINISH SEE TABLE	WEIGHT	RESTRICTED TO	
			SCALE	5:1
			SHEET	1 of 1
			REV	E