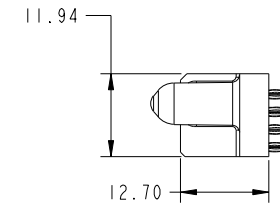
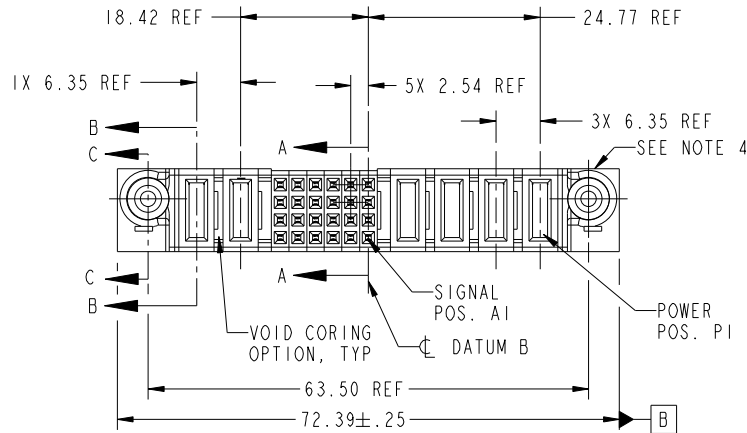


Tous droits strictement reserves. Reproduction ou communication a des tiers interdite sous quelque forme que ce soit sans autorisation écrite du propriétaire. Propriete de c FCI. Droits de reproduction FCI.



All rights strictly reserved. Reproduction or issue to third parties in any form whatever is not permitted without written authority from the proprietor. Property of FCI. Copyright FCI.

PRODUCT NO.	ROWS	POWER		SIGNAL						POWER				E1							
		E2	P6	P5	6	5	4	3	2	1	P4	P3	P2		P1						
51940-228- NOTE: 3	D C B A		PC	PF	F	F	F	F	F	F	F	F	F	F	F	F	F	F	F	F	



CODE	DIM "M" MATING LENGTH	CONTACT TYPE
PC	[1.07]	POWER
F	[N/A]	SIGNAL
PF	[2.34]	POWER

mat'l code				SEE NOTES		tolerances unless otherwise specified		CUSTOMER		FCI	
ltr	ecn no.	dr	date	linear	0.X ± 0.3	projection		COPY		www.fciconnect.com	
A	DG07-0212	JC	06/04/07	angles	0.XX ± 0.13	MIM		title		4P + 24S + 2P	
				dr	0.XXX ± 0.051	scale		product family		PwrBlade	
				enr	0° ± 2°	1:1		size		code	
				chr				dwg no		213	
				appd				51940-228		sheet	
sheet index	revision sheet	A	A	A	A			A		1 of 4	
		1	2	3	4						

cage code 22526

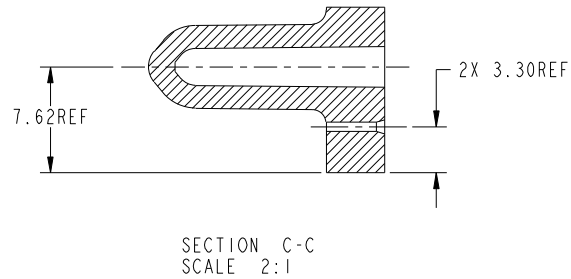
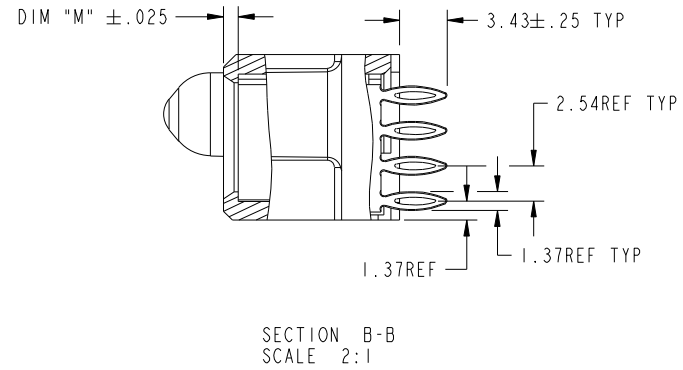
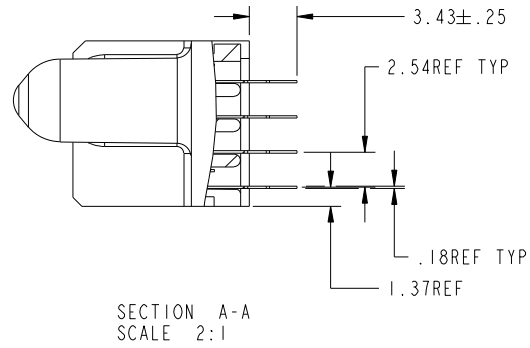
Pro/E

Tous droits strictement reserves. Reproduction ou communication a des tiers interdite sous quelque forme que ce soit sans autorisation écrite du propriétaire. Propriete de c FCI. Droits de reproduction FCI.



All rights strictly reserved. Reproduction or issue to third parties in any form whatever is not permitted without written authority from the proprietor. Property of FCI. Copyright FCI.

PRODUCT NUMBER
51940-228-
NOTE: 3



mat'l code				tolerances unless otherwise specified		CUSTOMER		FCI	
ltr	ecn no.	dr	date	linear	0.X ± 0.3	COPY		www.fciconnect.com	
A					0.XX ± 0.13	projection		title	
				angles	0.XXX ± 0.051			4P + 24S + 2P VERTICAL PRESSFIT RECEPTACLE	
				dr	Jerome Chen 06/04/07			product family PwrBlade code 213	
				enr	Jerome Chen 06/04/07			size dwg no 51940-228 sheet 2 of 4	
				chr	Gary Hsieh 06/04/07	scale 1:1			
				appd	Joseph Hsia 06/04/07				
sheet index		revision sheet							

cage code 22526

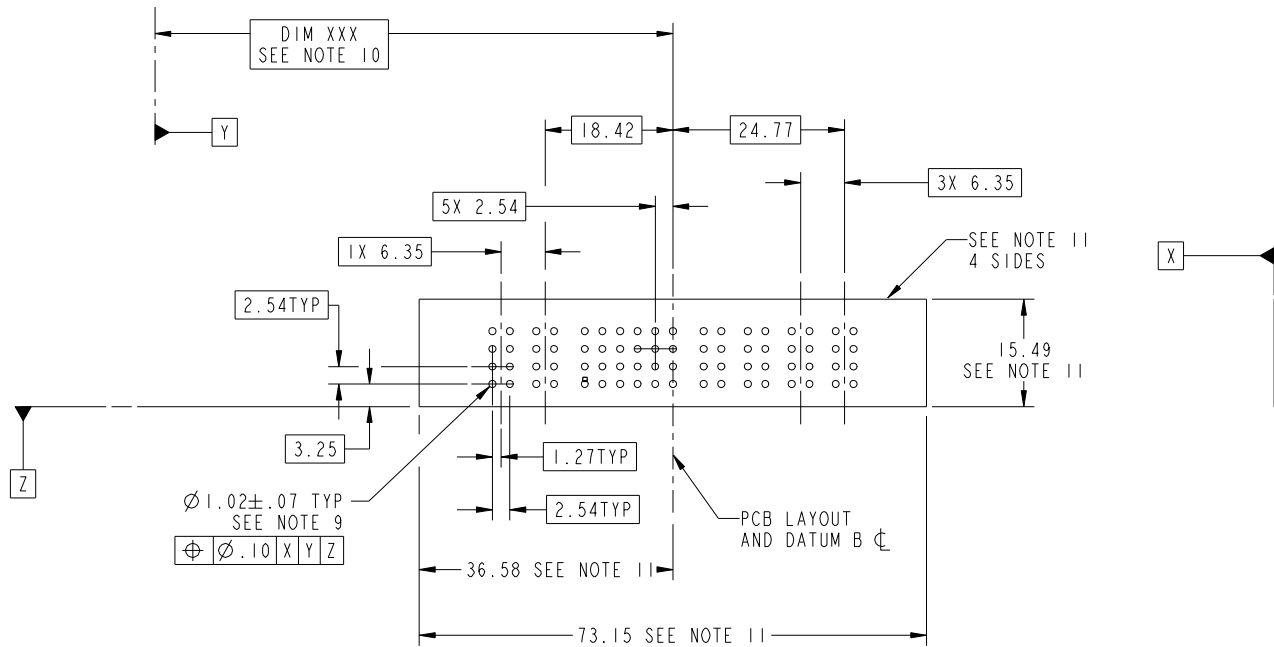
Pro/E

Tous droits strictement reserves. Reproduction ou communication a des tiers interdite sous quelque forme que ce soit sans autorisation écrite du propriétaire. Propriete de c FCI. Droits de reproduction FCI.



All rights strictly reserved. Reproduction or issue to third parties in any form whatever is not permitted without written authority from the proprietor. Property of FCI. Copyright FCI.

PRODUCT NUMBER
51940-228--
NOTE: 3



RECOMMENDED PCB LAYOUT

mat'l code				tolerances unless otherwise specified		CUSTOMER		FCI	
ltr	ecn no.	dr	date	linear	0.X ± 0.3	COPY		www.fciconnect.com	
A					0.XX ± 0.13	projection		title	
				angles	0.XXX ± 0.051			4P + 24S + 2P VERTICAL PRESSFIT RECEPTACLE	
				dr	Jerome Chen 06/04/07	MIM		product family PwrBlade code	
				enr	Jerome Chen 06/04/07			size 213	
				chr	Gary Hsieh 06/04/07	scale		dwg no 51940-228	
				appd	Joseph Hsia 06/04/07	1:1		sheet 3 of 4	
sheet index		revision sheet							

cage code 22526

Pro/E

Tous droits strictement reserves. Reproduction ou communication a des tiers interdite sous quelque forme que ce soit sans autorisation écrite du propriétaire. Propriete de c FCI. Droits de reproduction FCI.



All rights strictly reserved. Reproduction or issue to third parties in any form whatever is not permitted without written authority from the proprietor. Property of FCI. Copyright FCI.

PRODUCT NUMBER
51940-228--
NOTE: 3

NOTES:

1. DIMENSIONS AND TOLERANCES ARE IN ACCORDANCE WITH ASME Y14.5M, 1994 UNLESS OTHERWISE SPECIFIED.

CONNECTOR NOTES:

- 2 HOUSING MATERIAL: UL 94 V-0 GLASS FILLED HIGH-TEMP THERMOPLASTIC
POWER CONTACT MATERIAL: COPPER ALLOY
SIGNAL PIN MATERIAL: COPPER ALLOY
- 3. PLATING SPEC.
51940-228, 51940-228LF PLATING SPEC. WAS SHOWN IN THE PRINT OF 10064183.
- 4 MANUFACTURER'S NAME, P/N, AND DATE CODE TO APPEAR ON THIS SURFACE.
- 5. PRODUCT SPECIFICATION GS-12-149.
APPLICATION SPECIFICATION BUS-20-067.
- 6. PACKAGED IN TRAYS.

PCB NOTES:

- 7. ALL HOLE DIAMETERS ARE FINISHED HOLE SIZE.
- 8 MOUNTING HOLES, WHERE APPLICABLE, ARE UNPLATED.
- 9 $\varnothing 1.151 \pm 0.025$ DRILLED HOLES PLATED WITH
0.008 MIN SnPb OR Sn OVER 0.03
TO 0.08 Cu PLATING TO ACHIEVE
 $\varnothing 1.02 \pm .07$ HOLE.
- 10 "DIM XXX" TO BE DETERMINED BY THE CUSTOMER.
- 11 CONNECTOR KEEP-OUT ZONE.

mat'l code				tolerances unless otherwise specified		CUSTOMER		FCI	
ltr	ecn no.	dr	date	linear	0.X ± 0.3	COPY		www.fciconnect.com	
A				linear	0.XX ± 0.13	projection		title	
				angles	0.XXX ± 0.051			4P + 24S + 2P VERTICAL PRESSFIT RECEPTACLE	
				dr	0° ± 2°	MIM		product family PwrBlade code	
				enr	Jerome Chen 06/04/07			size 213	
				chr	Jerome Chen 06/04/07	scale		dwg no 51940-228 sheet	
				appd	Gary Hsieh 06/04/07	1:1		4 of 4	
					Joseph Hsia 06/04/07				
sheet index	revision sheet								

cage code 22526

Pro/E