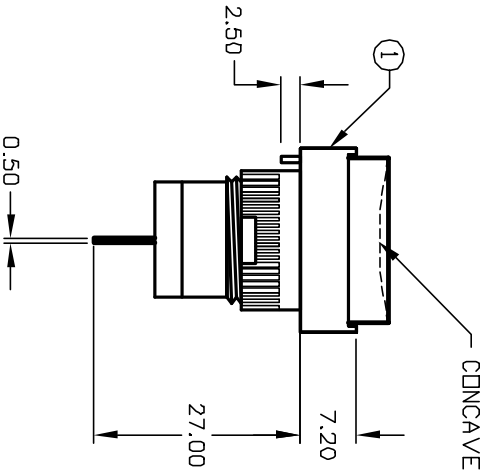
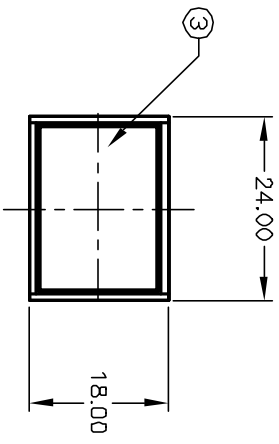


RECOMMENDED PANEL MOUNTING
SCALE 1:1

α-①-b (+)

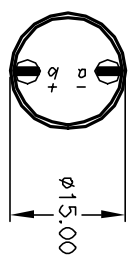
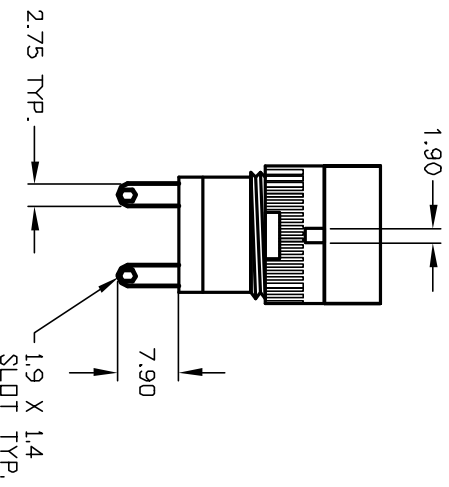
CIRCUIT: PILOT INDICATOR

- NOTES:
1. ALL DIMENSIONS IN MM
 2. GENERAL TOLERANCE: X.X=±0.4
X.XX=±0.25
 3. RATINGS: 1A, 2A, 4A, 5A @250V AC
6V AC/DC 200mA (INCANDESCENT BULB)
 4. CONTACT MATERIAL: COPPER ALLOY W/Silver Plating



PARTS LIST

ITEM	QTY.	PART NO.	PART DESCRIPTION
1	1	F040001	L16 PL T1 00
2	1	F050402	50-004-02 (Incandescent bulb)
3	1	F050205	50-002-05 (WHT lens)



A		13113	RELEASE FOR PRODUCTION	5/8/03	AR	TITLE	
REV.	ECN No.	DESCRIPTION	DATE	CHKD	SCALE	DATE	DR
					1:1	5/8/03	AR
<p>THE INFORMATION CONTAINED IN THIS DOCUMENT IS PROPRIETARY TO E-SWITCH AND IS NOT TO BE COPIED OR TRANSFERRED</p>							
		L16 PL T10 A WHT		DR	AR	DWG	XF0288P
				REV	A		

