

MODELS:

# PDU3VSR3G30, PDU3VSR10G30

## 3-Phase Switched Rackmount PDU



208V  
3-Phase Input



30A Blue IEC  
309 3P+E Plug



208V Single-  
Phase Output



24 Outlets

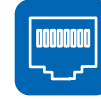


8.6kW

8.6kW Load  
Capacity



Multimode  
Load Meter



Network  
Interface

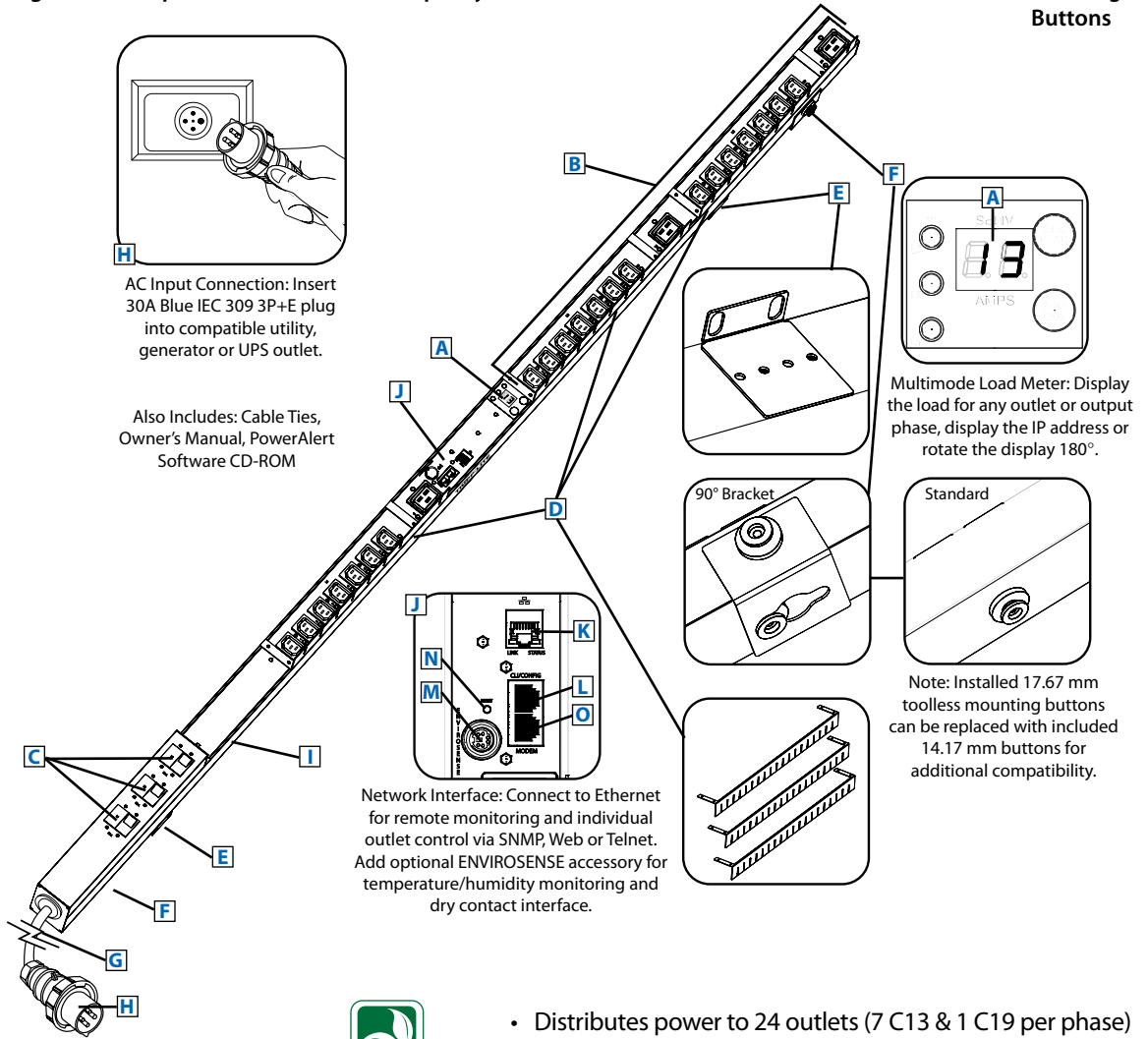


0U  
Rackmount



Toolless  
Mounting  
Buttons

- A** Digital Load Meter
- B** C13 and C19 Outlets with On/Off LEDs
- C** 20A 2-Pole Hydraulic Magnetic Circuit Breakers
- D** Removable Cord Retention Brackets
- E** Removable Mounting Brackets
- F** Toolless Mounting Buttons with Removable 90° Rotation Brackets
- G** PDU3VSR3G30: 3-ft. Input Power Cord  
PDU3VSR10G30: 10-ft. Input Power Cord
- H** 30A Blue IEC 309 3P+E Input Plug (IP44)
- I** Durable Metal Case
- J** Network Interface
- K** RJ45 Ethernet Jack
- L** Manual Configuration Port
- M** Environmental Monitoring Port
- N** Network Interface Reset Button
- O** Modem Port (For Future Use)



### Specifications

Models	PDU3VSR3G30, PDU3VSR10G30
Voltage	208V (3-Phase Input/Single-Phase Output)
Frequency	50/60Hz
Load Capacity	8.6kW
Input Plug	30A Blue IEC 309 3P+E (IP44 Protection Rating – Splash-Proof)
Input Cord Length	PDU3VSR3G30: 3 ft., PDU3VSR10G30: 10 ft.
Outlets	24 (21 C13 / 3 C19)
Primary Mounting Option	0U (Vertical) Rackmount
Unit Weight & Dimensions	PDU3VSR3G30: 12.4 lbs / 70 x 2.20 x 3.58 in., PDU3VSR10G30: 14.4 lbs / 70 x 2.20 x 3.58 in. <i>See next page for detailed unit measurements.</i>
Certifications	Tested to UL 60950-1 (US & Canada), NOM (Mexico), FCC Class A, IP44 Protection Rating (Plug)

Tripp Lite has a policy of continuous improvement. Specifications are subject to change without notice.

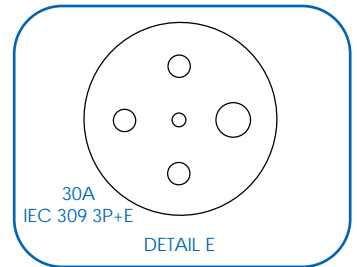
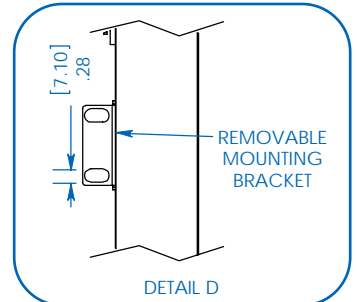
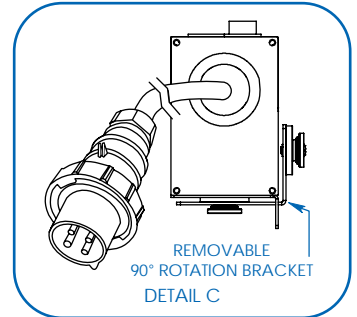
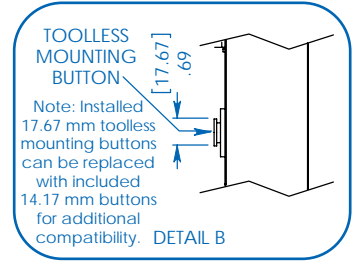
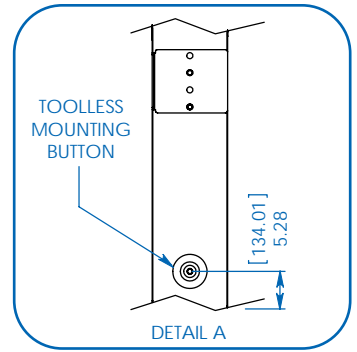
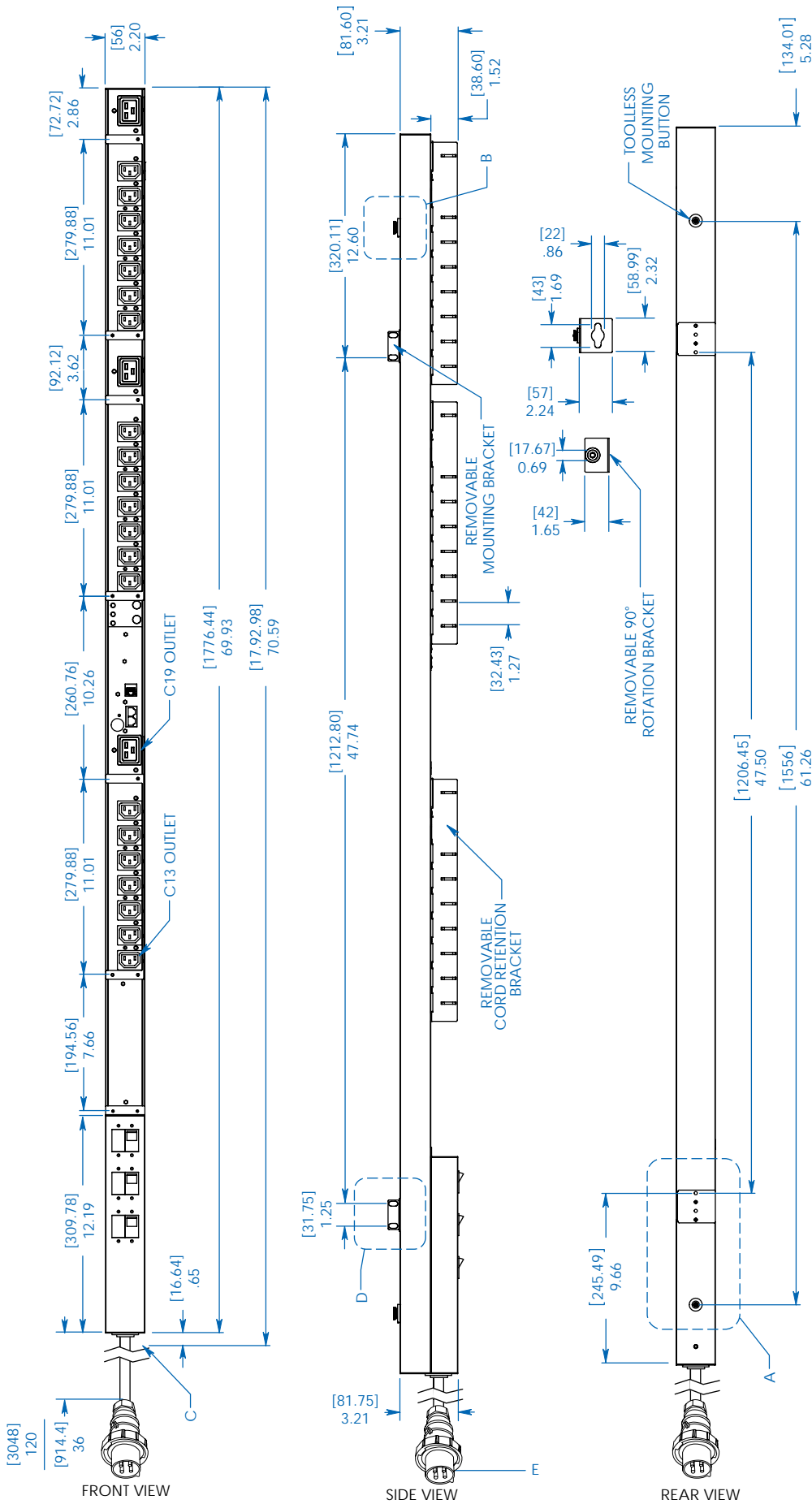


- Distributes power to 24 outlets (7 C13 & 1 C19 per phase)
- Remote monitoring and control via SNMP, Web or Telnet
- Displays load for **any outlet or output phase** in real time
- Perfect for rackmount server, network and telecom applications

**SEE NEXT PAGE FOR DETAILED UNIT MEASUREMENTS**



1111 W. 35th Street  
Chicago, IL 60609 USA  
773.869.1234  
www.tripplite.com



MODELS:  
**PDU3VSR3G30,**  
**PDU3VSR10G30**



1111 W. 35th Street  
 Chicago, IL 60609 USA  
 773.869.1234  
 www.tripplite.com

Dimensions: [mm] INCHES

Tripp Lite has a policy of continuous improvement. Specifications are subject to change without notice.