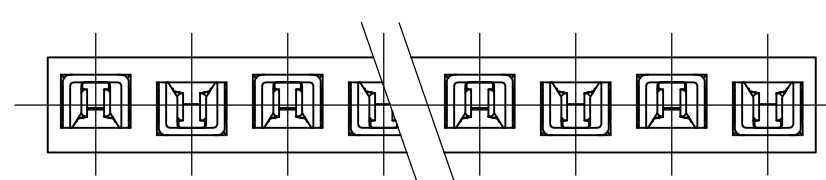
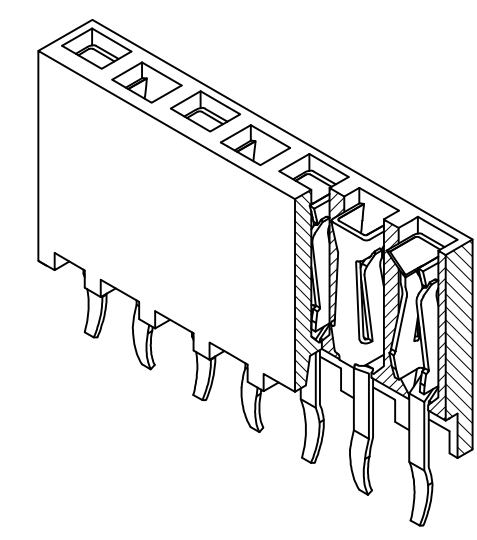
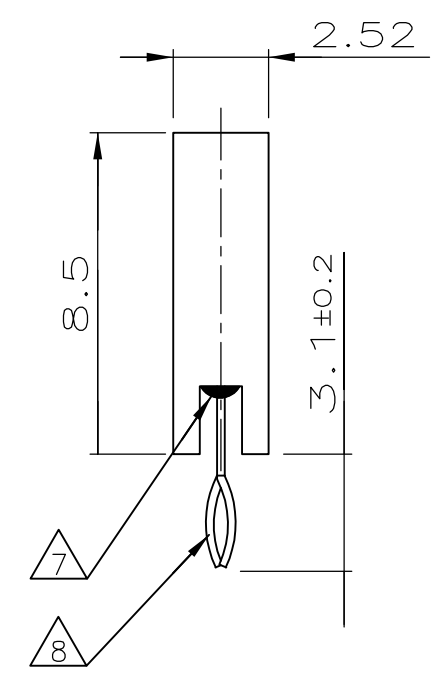
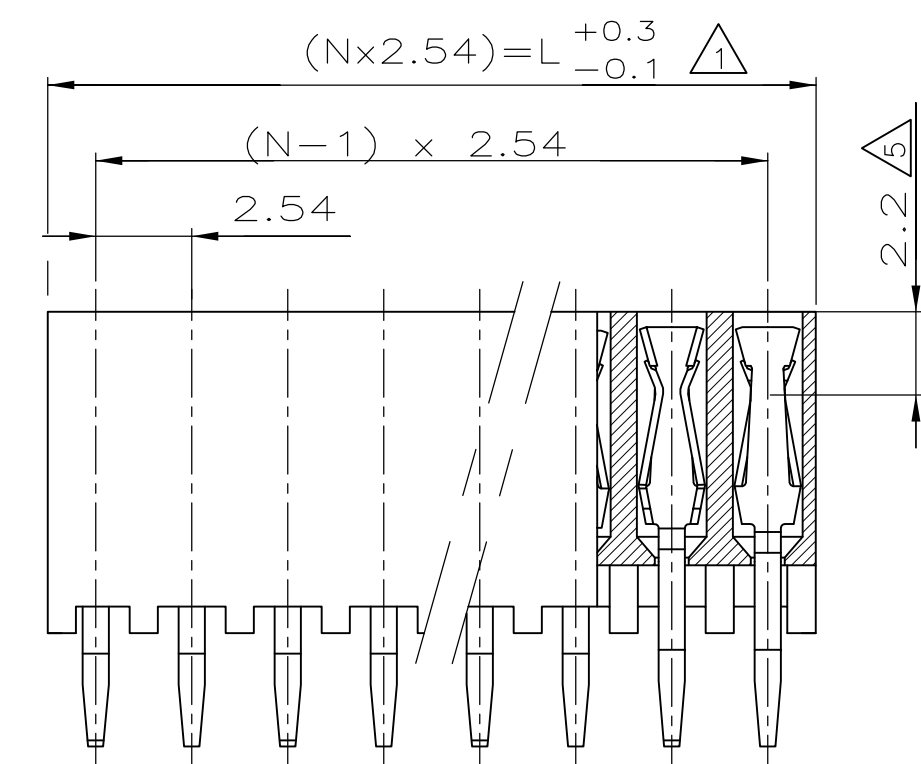


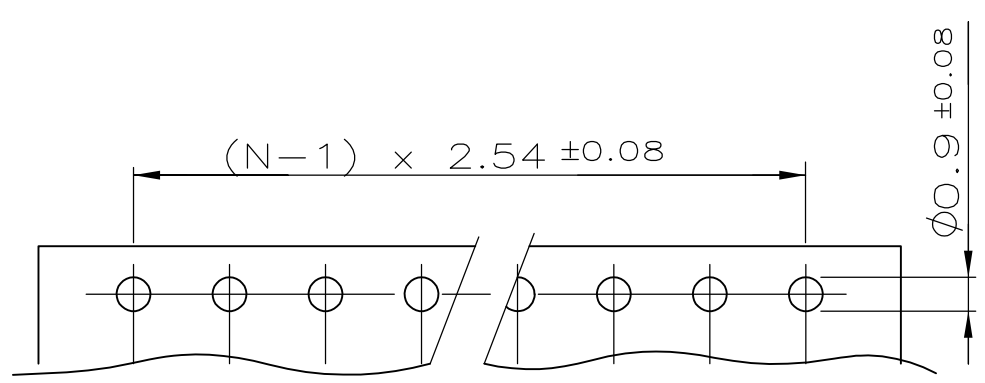
THIS DRAWING IS UNPUBLISHED. RELEASED FOR PUBLICATION
 © COPYRIGHT - By - ALL RIGHTS RESERVED.

LOC	DIST	REVISIONS			
P	LTR	DESCRIPTION	DATE	DWN	APVD
-	-	E	END STAND OFF WIDTH INCREASED	07JAN2016	KJK PS



- NOTES:**
- 1. TO DETERMINE DIMENSIONS TAKE N = NO. OF POS.
 FOR EXAMPLE: 10 POS.: N x 2,54 = 25,4 mm.
 FOR ORDER NO. USE BASIC NO. + NO. OF POS.
 FOR EXAMPLE: 2 POS. = 215 303-2 (SHORTEST VERSION)
 36 POS. = 3-215 303-6 (LONGEST VERSION)
 - 2. HOUSING MATERIAL: GREEN GLASSFILLED POLYESTER, UL 94V-0
 CONTACT MATERIAL: PHOSPHOR BRONZE.
 - 3. PLATING: UNDERCOATING: 1,3µm Ni.
 AT CONT.PLACE: 0,8µm Au.
 AT SOLDER-TYNES: 3,0-5,0µm Sn
 - 4. MATES WITH 0,63 SQUARE/ROUND MODU POSTS.
 - 5. CONTACT-POINT.
 - 6. RECOMMENDED P.C.BOARD-THICKNESS: 1,6mm.
 - 7. HIGH TEMPERATURE SEALANT.
 - 8. RETENTION FEATURE.
 - 9. HV100 CONNECTOR PACKED IN ANTISTATIC BLISTER TRAY

POS.	L	PART NUMBER	
-	-	-	
2	5.08	215 303-2	
3	7.62	-3	
4	10.16	-4	
5	12.70	-5	
6	15.24	-6	
7	17.78	-7	OBSOLETE
8	20.32	-8	OBSOLETE
9	22.86	-9	
10	25.40	1-	OBSOLETE
11	27.94	1-	-1
12	30.48	1-	-2
13	33.02	1-	-3
14	35.56	1-	-4
15	38.10	1-	-5
16	40.64	1-	-6
17	43.18	1-	-7
18	45.72	1-	-8
19	48.26	1-	-9
20	50.80	2-	-0
21	53.34	2-	-1
22	55.88	2-	-2
23	58.42	2-	-3
24	60.96	2-	-4
25	63.50	2-	-5
26	66.04	2-	-6
27	68.58	2-	-7
28	71.12	2-	-8
29	73.66	2-	-9
30	76.20	3-	-0
31	78.74	3-	-1
32	81.28	3-	-2
33	83.82	3-	-3
34	86.36	3-	-4
35	88.90	3-	-5
36	91.44	3- 215 303-6	



P.C.-BOARD HOLE-PATTERN

VERWENDET FÜR
E 92-9803

THIS DRAWING IS A CONTROLLED DOCUMENT.		DWN L.V.D.HEYDEN 20.05.86	TE Connectivity													
DIMENSIONS: mm		CHK W.SIMONS			NAME											
TOLERANCES UNLESS OTHERWISE SPECIFIED: ±0.15mm		APVD L.v.SOEST	HV 100 VERTICAL CONNECTOR SINGLE ROW, 8,5mm HEIGHT, TOP ENTRY, GOLD (SEALED VERSION).													
<table border="0"> <tr><td>0 PLC</td><td>± -</td></tr> <tr><td>1 PLC</td><td>± -</td></tr> <tr><td>2 PLC</td><td>± -</td></tr> <tr><td>3 PLC</td><td>± -</td></tr> <tr><td>4 PLC</td><td>± -</td></tr> <tr><td>ANGLES</td><td>± -</td></tr> </table>		0 PLC	± -	1 PLC	± -	2 PLC	± -	3 PLC	± -	4 PLC	± -	ANGLES	± -	PRODUCT SPEC 108-19056	SIZE	CAGE CODE
0 PLC	± -															
1 PLC	± -															
2 PLC	± -															
3 PLC	± -															
4 PLC	± -															
ANGLES	± -															
MATERIAL SEE NOTES		FINISH SEE NOTES	DRAWING NO A3 00779 C-215303													
		WEIGHT -	RESTRICTED TO -													
		CUSTOMER DRAWING		SCALE 5:1 SHEET 1 OF 1 REV E												