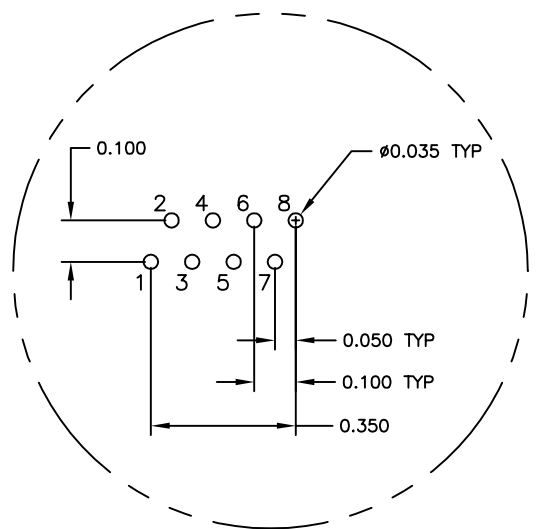
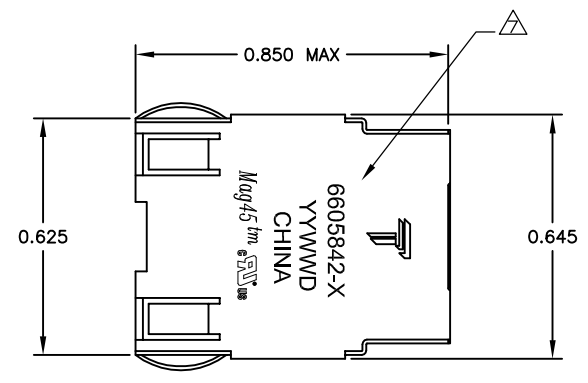
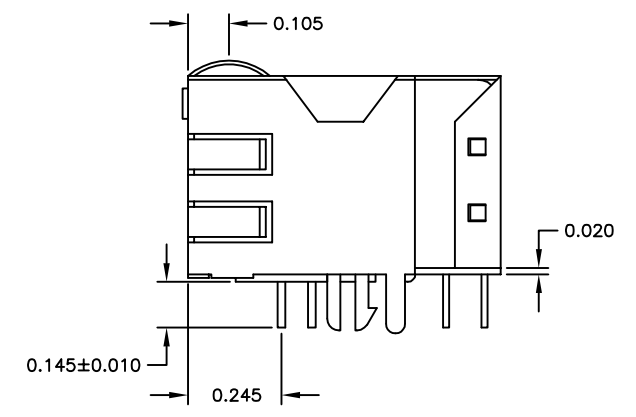
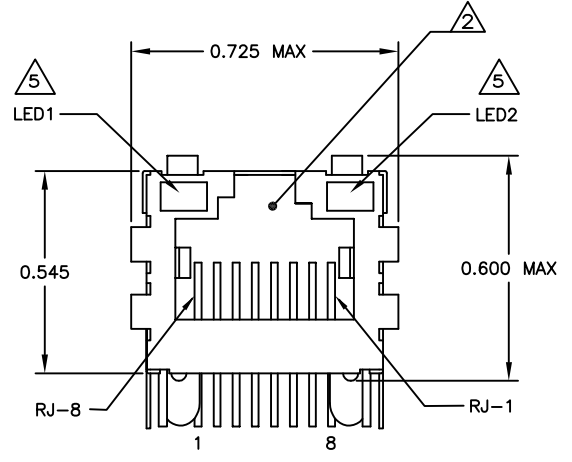


REVISIONS				
#	LNK	DESCRIPTION	DATE	BY / APPD
D		LOGO CHANGE	07APR2013	QL / KZ

MECHANICAL:

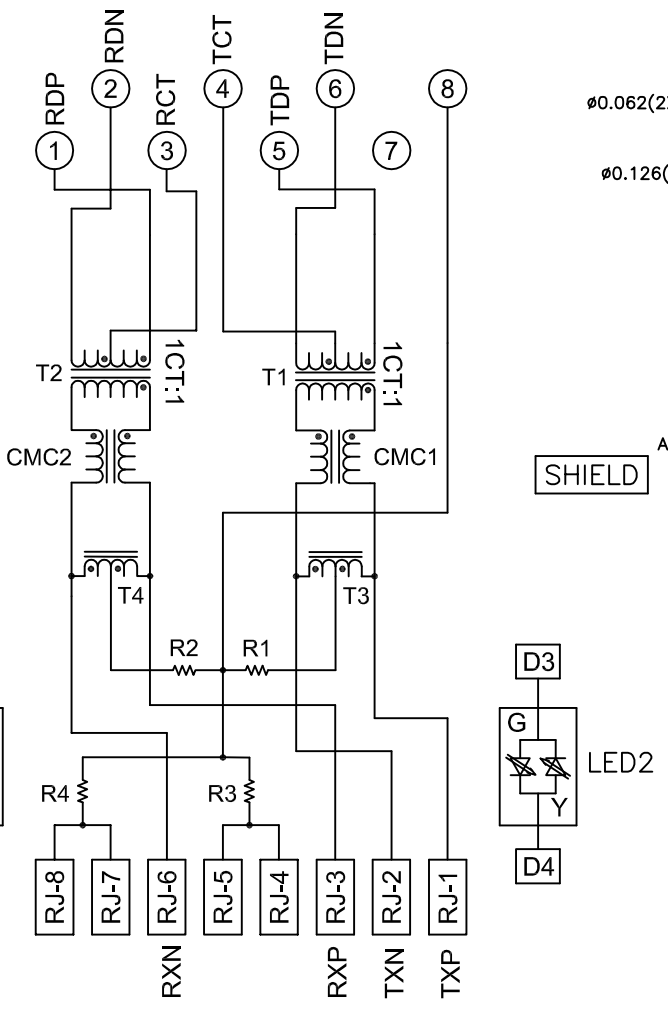


Pin Designations

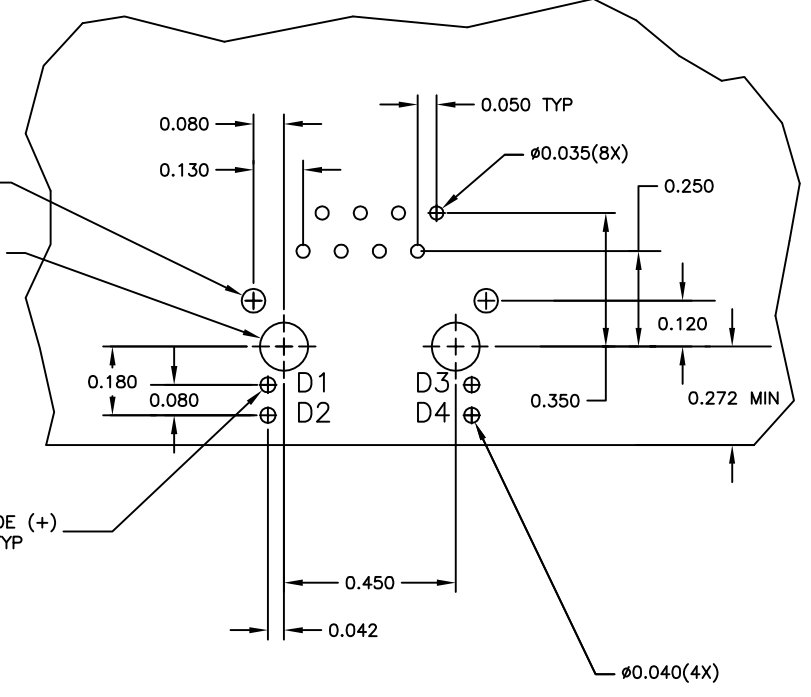


- △ MATERIALS:
 - HOUSING - THERMOPLASTIC PET POLYESTER FLAMMABILITY RATING UL 94V-0.
 - SHIELD - .010" THICK, C26800 BRASS PREPLATED WITH 30μINCH MIN SEMI-BRIGHT NICKEL, SOLDER TABS POST DIPPED WITH 100μINCH MIN SAC SOLDER.
 - MOD JACK CONTACTS - 0.0157" x 0.018" PHOSPHOR BRONZE, 50μINCH MIN OVERALL NICKEL UNDERPLATE, WITH SELECT 50μINCH MIN HARD GOLD FINISH PLATE. SOLDER TAILS WITH 100μINCH MIN MATTE TIN AND/OR SAC SOLDER DIP.
 - LIGHT EMITTING DIODE(LED) - DIFFUSED EPOXY LENS, .020" x .020" CARBON STEEL WIREFRAME LEADS PRE-PLATED WITH 80μINCH SILVER OVER 40μINCH NICKEL UNDERPLATE OVER 40μINCH COPPER UNDERPLATE, POST-PLATED WITH 100μINCH MIN MATTE TIN AND/OR SAC SOLDER DIP OR PURE TIN SOLDER DIP.
- △ RJ45 JACK CAVITY CONFORMS TO FCC RULES AND REGULATIONS PART 68, SUB PART F.
- △ MAGNETICS
 - IMPEDANCE: 100 OHMS
 - TURNS RATIO (CHIP:CABLE): TX = 1:1, RX = 1:1
 - OPEN CIRCUIT INDUCTANCE (OCL): 350uH MIN @100kHz, 0.1VRMS, 8mADC BIAS FROM -40°C TO +85°C, TX AND RX
 - PERFORMANCE @ 25°C:
 - INSERTION LOSS (IL): 1.1dB MAX FROM 0.5MHz TO 100MHz
 - RETURN LOSS (RL): 18dB MIN FROM 0.5MHz TO 30MHz
 - 18-20LOG(f/30)dB MIN FROM 30.1MHz TO 60MHz
 - 12dB MIN FROM 60.1MHz TO 80MHz
 - CROSSTALK ATTENUATION: 35dB MIN FROM 0.5MHz TO 40MHz
 - 33-20*LOG(f/50)dB MIN FROM 40.1MHz TO 100MHz
 - COMMON MODE REJECTION RATIO (CMRR): 30dB MIN FROM 0.5MHz TO 100MHz
 - ISOLATION VOLTAGE:1500VAC (MAX) AT 60Hz FOR 60 SECS.
- 4. OPERATING TEMPERATURE: FROM -40° - +85°C
- △ LEDS WITHOUT BUILT-IN RESISTOR
 - LEDS ARE DRIVEN WITH CONSTANT CURRENT AT APPROX 20 mA
 - LED COLOR: DOMINANT WAVELENGTH (AD): GREEN 568 nm TYP @ IF=20 mA
 - FORWARD VOLTAGE (VF): GREEN 2.2V TYP @ IF=20 mA
 - DOMINANT WAVELENGTH (AD): YELLOW 588 nm TYP @ IF=20 mA
 - FORWARD VOLTAGE (VF): YELLOW 2.1V TYP @ IF=20 mA

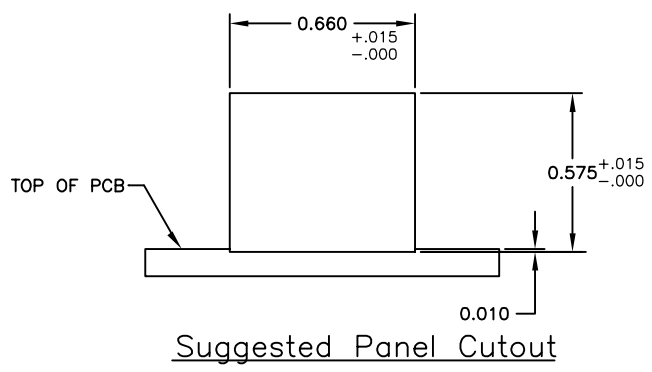
715ET SERIES MAGNETIC CIRCUIT



R1-R4 = 75 OHMS, 1/16 W, 5% RESISTORS



Suggested PCB Layout (Component Side)



Suggested Panel Cutout

- △ INDICATED CONNECTIONS ARE FOR NIC CONFIGURATION. THE MAGNETICS ARE SYMMETRICAL, AND THEREFORE ARE AUTO-MDI/MDIX CAPABLE.
- △ TRP CONNECTOR LOGO, PART NUMBER, DATE CODE, COUNTRY OF ORIGIN AND AGENCY APPROVAL MARKING IN APPROXIMATE LOCATION SHOWN.
- 8. THE PART IS RECOMMENDED FOR WAVE SOLDERING PROCESS, PEAK WAVE SOLDERING TEMPERATURE IS 260°C, 10SECONDS MAX.

GREEN/YELLOW	GREEN/YELLOW	6605842-6
LED1	LED2	PART NUMBER

THIS DRAWING IS A CONTROLLED DOCUMENT.		DATE: 07MAR2005	BY: L. VARELA - DOCKS	TRP connector
DIMENSIONS: INCHES		DATE: 07MAR2005	BY: D. FAROLE	Dongguan China
TOLERANCES UNLESS OTHERWISE SPECIFIED:		PRODUCT SPEC	108-2100	NAME: 1X1 MAC45(TM), 7N2ET INDUSTRIAL TEMPERATURE SCHEMATIC, 715 SERIES CIRCUIT, SHIELDED, NO DECOUPLING CAPACITOR, WITH LEDS
0 PLC ± -	1 PLC ± .010	APPLICATION SPEC		SIZE: 04E CODE DRAWING NO
2 PLC ± .005	3 PLC ± .005	WEIGHT		A1 00779 C-6605842
4 PLC ± -	ANGLES ± -	CUSTOMER DRAWING	SCALE: NTS	SHEET 1 OF 1