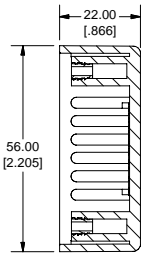
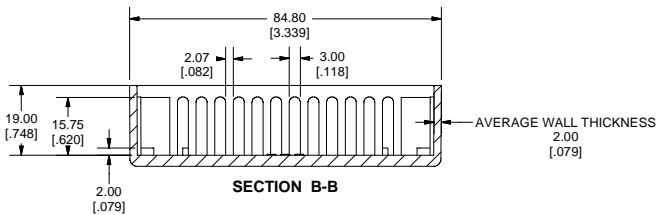
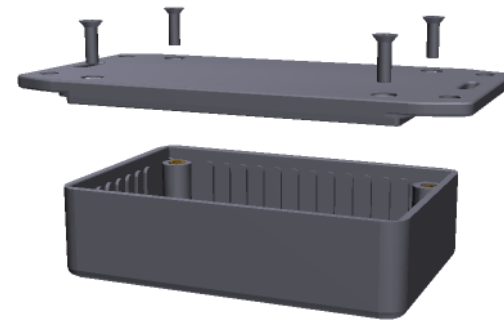


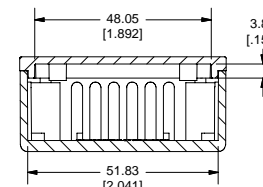
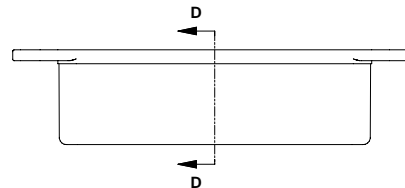
TOP VIEW OF BOX



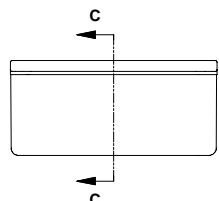
SECTION A-A



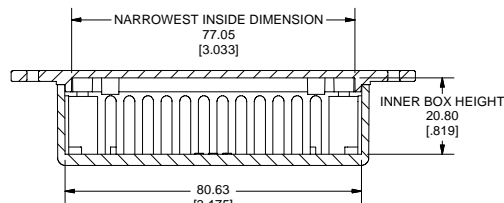
SECTION B-B



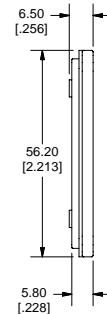
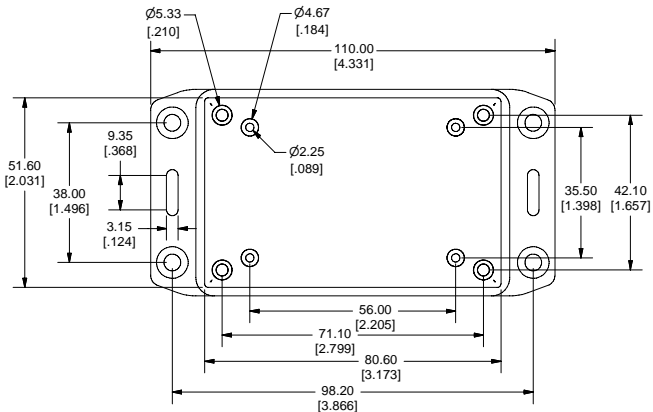
SECTION D-D



END VIEW OF ENCLOSURE



SECTION C-C



Note:
Enclosures can be Factory Modified (Milling, Drilling, Printing etc.)
Contact Factory mjm@hammondmfg.com for quotes
Solid models of this enclosure available in STEP or IGES Format.

PART NUMBERS		
1591MFL Flanged Lid Enclosures		
Material	Colour	Part Number
FR ABS	Black	1591MFLBK
UL94 - V0	Grey	1591MFLGY
GP ABS	Black	1591MSFLBK
Accessories		
Description	Part Number	
PC Board Card Adapters	See Accessories Section	
Universal Use	Clear Lids - clear, flame retardant polycarbonate - Lid ONLY	1591LC
FR ABS	Replacement Screws, Flat Head Phillips Nickel Plated Pkg of 100	1591MS100
GP ABS	Self Tapping Pkg of 100	1591TS100
		1591TS100BK (Black)
Recommended Torque on Fasteners (no lubrication)		
	M3 - 0.5 x 10mm Screws	30-40 cN*m
	#4 x 0.5 Screws	30-40 cN*m

