

4832, solder terminal, insulated, 2-pole, Audio Plug/Sockets, 3.5 mm



Approvals and Compliances

Description

- Solder terminal :
for cable mounting
- Audio entrances and exits
- Data and Signal transfer
- Audio Plug: 2-pole , insulated , straight

References

Alternative: Housing shielded [4832.1200](#)
 Substitute for type [4832.1210](#)

Technical Data

Diameter	3.5 mm
Number of Poles	2-pole
Ratings DC	0.5 A / 30VDC
Ratings AC	0.5 A / 30VAC
Dielectric Strength	500VDC
Insulation Resistance	> 100 MΩ @ 500VDC

Allowable Operation Temperature	-20°C to 70°C
Terminal	solder terminal nickel-plated
Housings	insulated
Style	straight
Lifetime	5000 Insertions

Approvals and Compliances

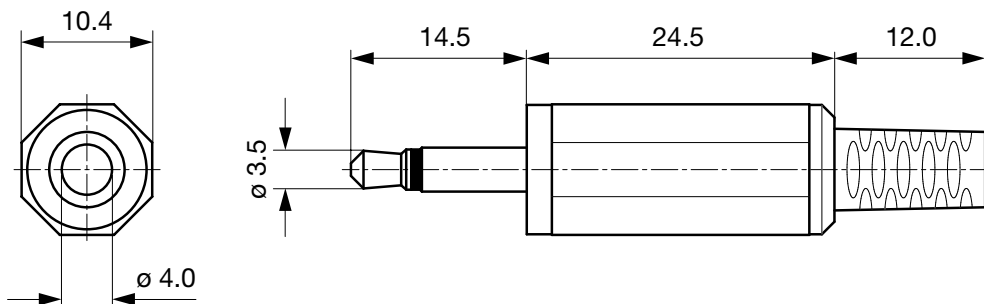
Detailed information on product approvals, code requirements, usage instructions and detailed test conditions can be looked up in [Details about Approvals](#)

Compliances

The product complies with following Guide Lines

Identification	Details	Initiator	Description
	RoHS	SCHURTER AG	EU Directive RoHS 2011/65/EU
	China RoHS	SCHURTER AG	The law SJ / T 11363-2006 (China RoHS) has been in force since 1 March 2007. It is similar to the EU directive RoHS.
	REACH	SCHURTER AG	On 1 June 2007, Regulation (EC) No 1907/2006 on the Registration, Evaluation, Authorization and Restriction of Chemicals 1 (abbreviated as "REACH") entered into force.

Dimensions [mm]



Cable diameter max. 4.0 mm

All Variants

Product group	Diameter [mm]	Number of Poles	Terminal	Order Number
Audio Plug/Sockets	3.5	2-pole	solder terminal	4832.1211

Availability for all products can be searched real-time: <https://www.schurter.com/en/Stock-Check/Stock-Check-SCHURTER>

Packaging unit 100 Pcs

Mating Outlets/Connectors**Category / Description**[Audio Plug/Sockets Overview complete](#)

4832, solder terminal, screened, 2-pole, Audio Plug/Sockets, 3.5 mm	4832.2211
4832, PCB terminals, screened, 2-pole, Audio Plug/Sockets, 3.5 mm	4832.2220
4832, PCB terminals, insulated, 2-pole, Audio Plug/Sockets, 3.5 mm	4832.2230
4832, solder terminal, insulated, 2-pole, Audio Plug/Sockets, 3.5 mm	4832.3200

[Audio Plug/Sockets further types to 4832.1211](#)