

ECN#	APP'D./DATE	REV.
10411	TAM 6/2/94	14

**SAFETY ORGANIZATION(S):**

THIS MODULE HAS BEEN FORMALLY RECOGNIZED, CERTIFIED OR APPROVED BY THE LISTED AGENCY. THEREFORE, ALL TEST/REQUIREMENTS SPECIFIED IN THE LATEST REVISION OF THE FOLLOWING AGENCY STANDARDS HAVE BEEN MET:

UL RECOGNIZED                      UL 498  
 CSA CERTIFIED                    CSA 22.2, NO.0,0.4,42  
 VDE APPROVED                    VDE 625

**OPERATING SPECIFICATIONS:**

LINE VOLTAGE/CURRENT: 6 AMP, 120 VAC  
 4 AMP./40°C, 250 VAC  
 LINE FREQUENCY: 47-440Hz

**RELIABILITY SPECIFICATIONS:**

STORAGE TEMPERATURE: -55°C TO +85°C  
 HUMIDITY: 21 DAYS @ 40°C 95% RH  
 CURRENT OVERLOAD TEST: 6 TIMES RATED CURRENT FOR 8 SECONDS

**TEST SPECIFICATIONS:**

LINE/GROUND AND LINE/LINE INSULATION RESISTANCE: 6000MΩ (MIN) AT 100VDC 20°C AND 50% RH

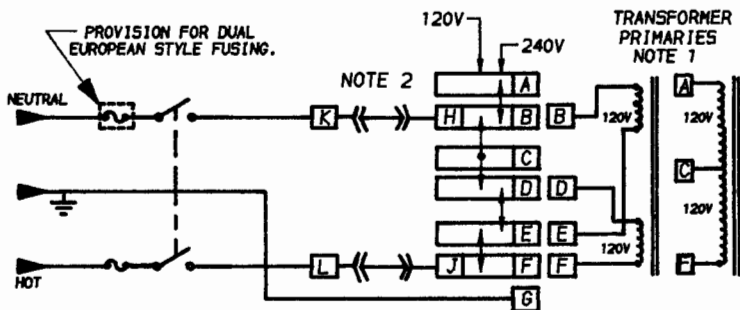
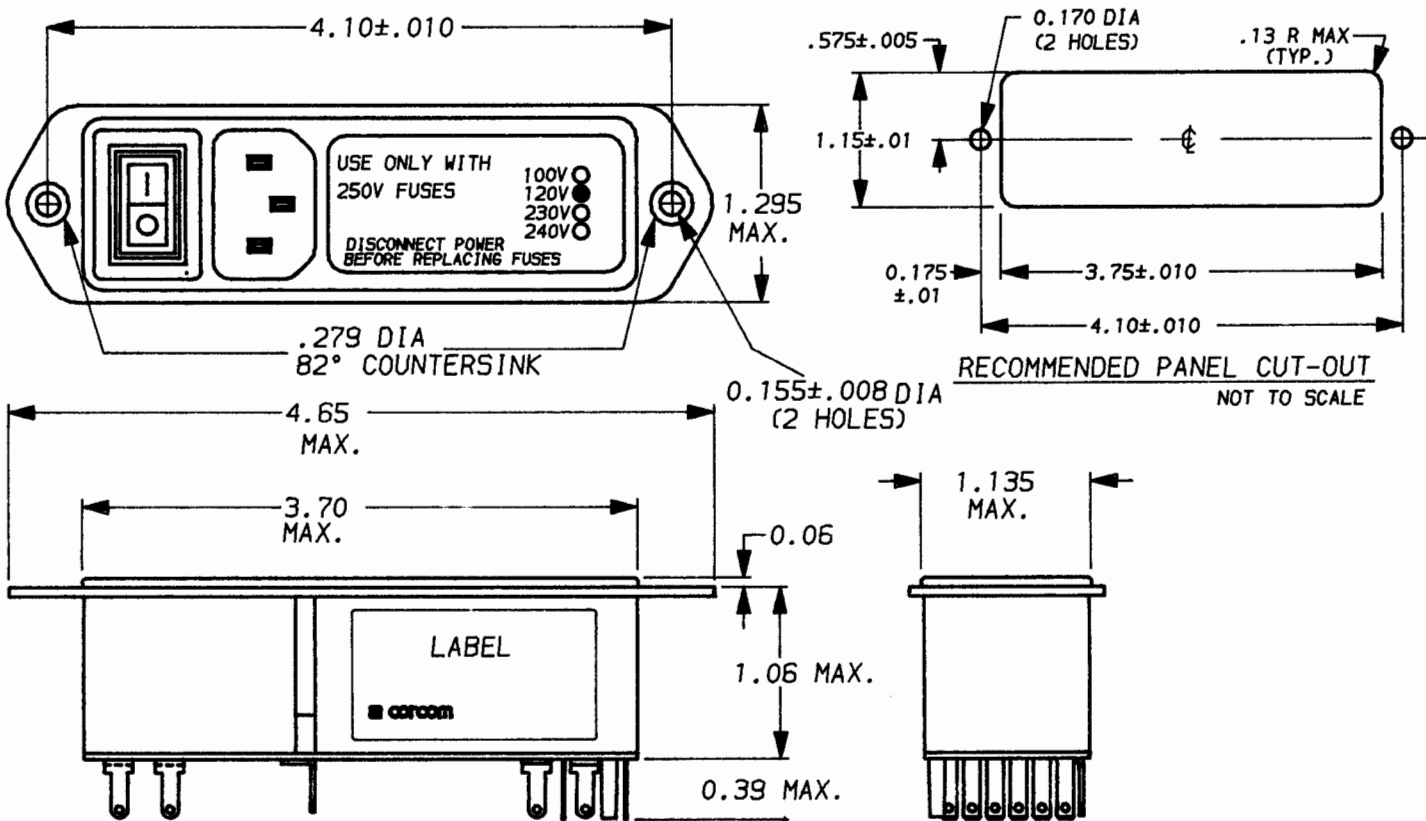
**RECOMMENDED RECEIVING INSPECTION HIPOT:**

LINES TO GROUND: 1500 VAC FOR 1 MINUTE  
 LINE TO LINE: 1450 VDC FOR 1 MINUTE

**FILTER APPROVAL:**

THE BEST WAY TO SELECT AND QUALIFY A FILTER IS FOR YOUR ENGINEERING TO TEST THE UNIT IN YOUR EQUIPMENT.

U.S. PATENT No. 4,488,201



NOTE 1. WHEN USING A CENTER-TAPPED TRANSFORMER, THE C-F WINDING SHOULD BE THE LOW VOLTAGE (HIGH CURRENT) WINDING AND MUST BE CAPABLE OF HANDLING THE FULL PRIMARY CURRENT IN THE 120V POSITION.  
 2. JUMPERS REQUIRED IF NO FILTER IS USED.

	UNLESS OTHERWISE SPECIFIED, TOLERANCE TO BE ±.025	 LIBERTYVILLE, IL 60048 <b>POWER LINE FILTER</b>
	MATERIAL & FINISH: AS SUPPLIED	
	This document is proprietary to CORCOM INC. and is not to be reproduced nor used for manufacturing purposes except on CORCOM'S prior written consent.	
DATE: 4-18-94	CATALOG NO. 6VM25.14	REV. 14
APPRVD.		
CAD NO.	6VM25.14	