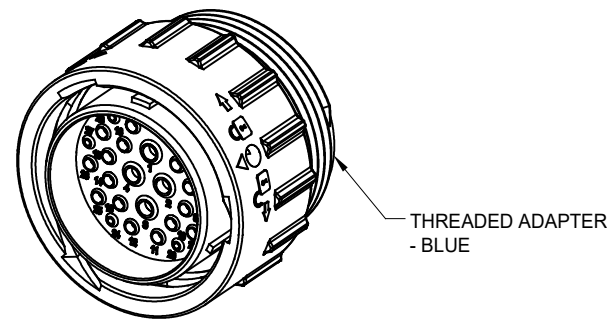
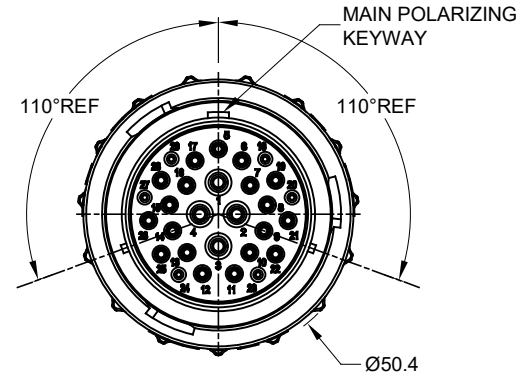


- NOTES: UNLESS OTHERWISE SPECIFIED
- MATERIAL:  
HOUSING: THERMOPLASTIC; BLACK  
SEAL: SILICONE RUBBER
  - MODIFICATIONS: THREADED ADAPTER;  
REDUCED DIA. WIRE SEAL
  - SPECIFICATIONS:
    - OPERATING TEMPERATURE: -55°C TO +125°C.
    - DIELECTRIC WITHSTANDING VOLTAGE: LESS THAN 2 MILLIAMPS CURRENT LEAKAGE @ 1500 VOLTS AC.
    - INSULATION RESISTANCE: 1000 MEGOHM MIN @ 25°C.
    - MOISTURE RESISTANCE: IP67&IP69K ( MATED CONDITION ).
    - MATING CYCLE DURABILITY: 100 CYCLES
    - RoHS COMPLIANT
  - MATING PART: AHDP04-24-29S\* (\* = SEAL TYPE)
  - ALL DIMENSIONS ARE FOR REFERENCE USE ONLY.

CONTACT SIZE AND WIRE RANGE:

CONTACT SIZE	MIN. INSUL O.D.	MAX. INSUL O.D.	TYPICAL WIRE RANGE	CURRENT RATING
20	1.02 mm (.040 in)	2.41 mm (.095 in)	16-22 AWG	7.5 AMPS
16	1.35 mm (.053in)	3.05 mm (.120 in)	14-20 AWG	13 AMPS
12	2.46 mm (.097 in)	4.01 mm (.158 in)	10-14 AWG	25 AMPS

REVISIONS					
REV	ECO	DESCRIPTION	DATE	BY	APPR
A1		RELEASE NEW DRAWING	13NOV15	SULLEN	TOMMY
A2	C0765S	UPDATE SPECIFICATIONS	23NOV17	ROOKIE	TOMMY



AHDP06-24-29PR-WTA		DESCRIPTION		ITEM
QUANTITY	PART NUMBER	DESCRIPTION		
<b>MATERIALS LIST</b>				
UNLESS OTHERWISE SPECIFIED: 1) All dimensions are in metric (mm). 2) Tolerances are as follows: 1 PL DEC ±0.30 2 PL DEC ±0.15 3 PL DEC ±0.08 3) Note reference =		SIGNATURES	DATE	 Sine Systems - www.amphenol-sine.com 44724 Morley Drive Clinton Township, MI 48036  <b>PLUG, 24-29 POS, PIN CONTACT REDUCED DIA. SEAL, AHDP SERIES</b>
DRAWN: ROOKIE		23NOV17		
CHECKED: ORION		23NOV17		
APPROVAL: TOMMY		23NOV17		
MATERIAL SPECIFICATIONS:		CUSTOMER:		
PROCESS SPECIFICATIONS:		THIS DRAWING IS SUPPLIED FOR INFORMATION ONLY. DESIGN FEATURES, SPECIFICATIONS AND PERFORMANCE DATA SHOWN HEREON ARE THE PROPERTY OF THE AMPHENOL CORPORATION. NO RIGHTS OF REPRODUCTION ARE IMPLIED. ALL DIMENSIONS ARE SUBJECT TO NORMAL MANUFACTURING VARIATIONS.		
NEXT ASSY:		SIZE: <b>B</b>	TYPE: <b>C</b>	DWG NO: <b>AHDP06-24-29PR-WTA</b>
		SCALE: NONE		REVISION: <b>A2</b>
			SHEET 1 OF 1	

TITLE: RECDR 24-29 POS, PIN CONTACT, REDUCED DIA. SEAL, AHDP  
 DWG NO: AHDP06-24-29PR-WTA  
 REV: A2  
 SH: 1  
 OF: 1