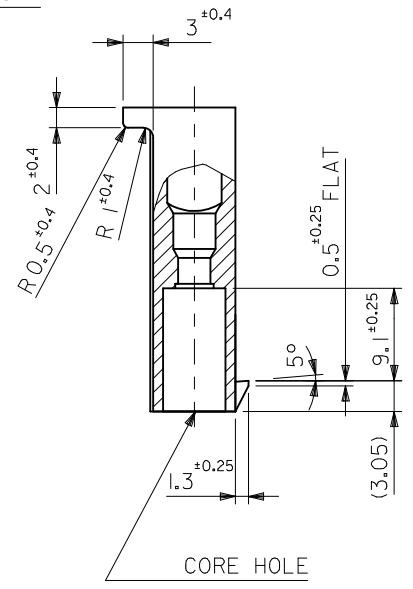
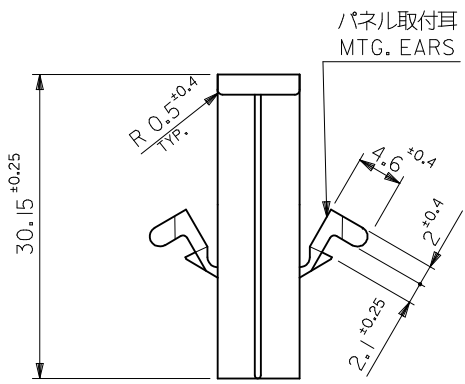
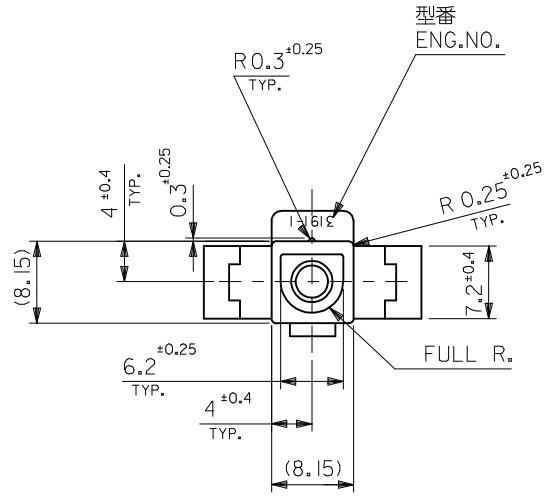


パネル取付穴推奨寸法 (厚さ2.0最大)
ハウジングの装着はパネル穴打抜き方向より行うこと
RECOMMENDED PANEL HOLE DIMENSION (THK. 2.0 MAX.)
ATTACH THE HOUSING FROM THE DIRECTION OF
PANEL HOLE PUNCHED OUT



注記
NOTE
() 内寸法は参考値
DIMENSIONS IN () ARE REFERENCE



青 BLUE	39-01-8019	3191-01P-BU	NYLON66	94V-2
赤 RED	39-01-9010	3191-01P-RE		
自然色 NATURAL	39-03-6010	3191-01P		
COLOR	POLYBAG PACKAGE	モデル番号 MODEL No.	材質 MATERIAL	UL
	オーダー番号 ORDER NO.			

REVISED EC NO: J2013-0829 DRWN: KASHIO 2013/01/28 CHKD: KASAKAWA 2013/01/31 APPR: Y0110 2013/04/16	DESCRIPTION	GENERAL TOLERANCES (UNLESS SPECIFIED)		DIMENSION STYLE MM ONLY		SCALE 2:1	DESIGN UNITS METRIC	THIRD ANGLE PROJECTION
		10 UNDER	±---	DRAWN BY M. NABEI	DATE '07/05/10	TITLE 1 CKT. PLUG HS'G (.093 DIA. TERMINAL)		
		10 OVER 30 UNDER	±---	CHECKED BY Y. MAEDA	DATE '07/05/10			
		30 OVER	±---	APPROVED BY N. UKITA	DATE '07/05/10			
REV		ANGULAR	±--- °	MATERIAL NO.	SEE TABLE	DOCUMENT NO.	SD-3191-001	SHEET NO. 1 OF 1
		DRAFT WHERE APPLICABLE MUST REMAIN WITHIN DIMENSIONS		SIZE A3	THIS DRAWING CONTAINS INFORMATION THAT IS PROPRIETARY TO MOLEX INCORPORATED AND SHOULD NOT BE USED WITHOUT WRITTEN PERMISSION			