

4

3

2

1

THIS DRAWING IS UNPUBLISHED. RELEASED FOR PUBLICATION 20
 © COPYRIGHT 20 BY - ALL RIGHTS RESERVED.

LOC	DIST	REVISIONS			
P	LTR	DESCRIPTION	DATE	DWN	APVD
CE	-	B1	ECR-12-017866	19OCT2012	KG DW

- ASSEMBLY SHOWN FOR REFERENCE ONLY. SHIPPED LOOSE PIECE AS SHOWN ON PAGE 2.
- ALL ASSEMBLY DIMENSION ARE FOR REFERENCE ONLY.
- COMPLETE THE CONNECTOR ASSEMBLY BY ADDING EACH OF THE FOLLOWING PRO BEAM MINI KITS:
 - EXPANDED BEAM INSERT ASSEMBLY KIT
 - FERRULE KIT, ONE PER FIBER
 - CABLE ADAPTER KIT, SIZED TO THE CABLE JACKET DIAMETER.
- △ PANEL SHOULD BE BETWEEN 1mm AND 6mm THICKNESS.
- THIS PRODUCT HAS NOT COMPLETED VALIDATION TESTING.

△ RECOMMENDED PANEL CUT-OUT

SHOWN WITH CABLE ADAPTER KIT INSTALLED AS PHANTOM LINES FOR VISUAL AND DIMENSIONAL REFERENCE

BLACK ZINC-NICKEL	ALUMINUM	1918185-4
OLIVE DRAB ZINC	ALUMINUM	1918185-3
NONE	NICKEL ALUMINUM BRONZE	1918185-2
HARD ANODIZE	ALUMINUM	1918185-1
HOUSING FINISH	HOUSING ALLOY	PART NUMBER

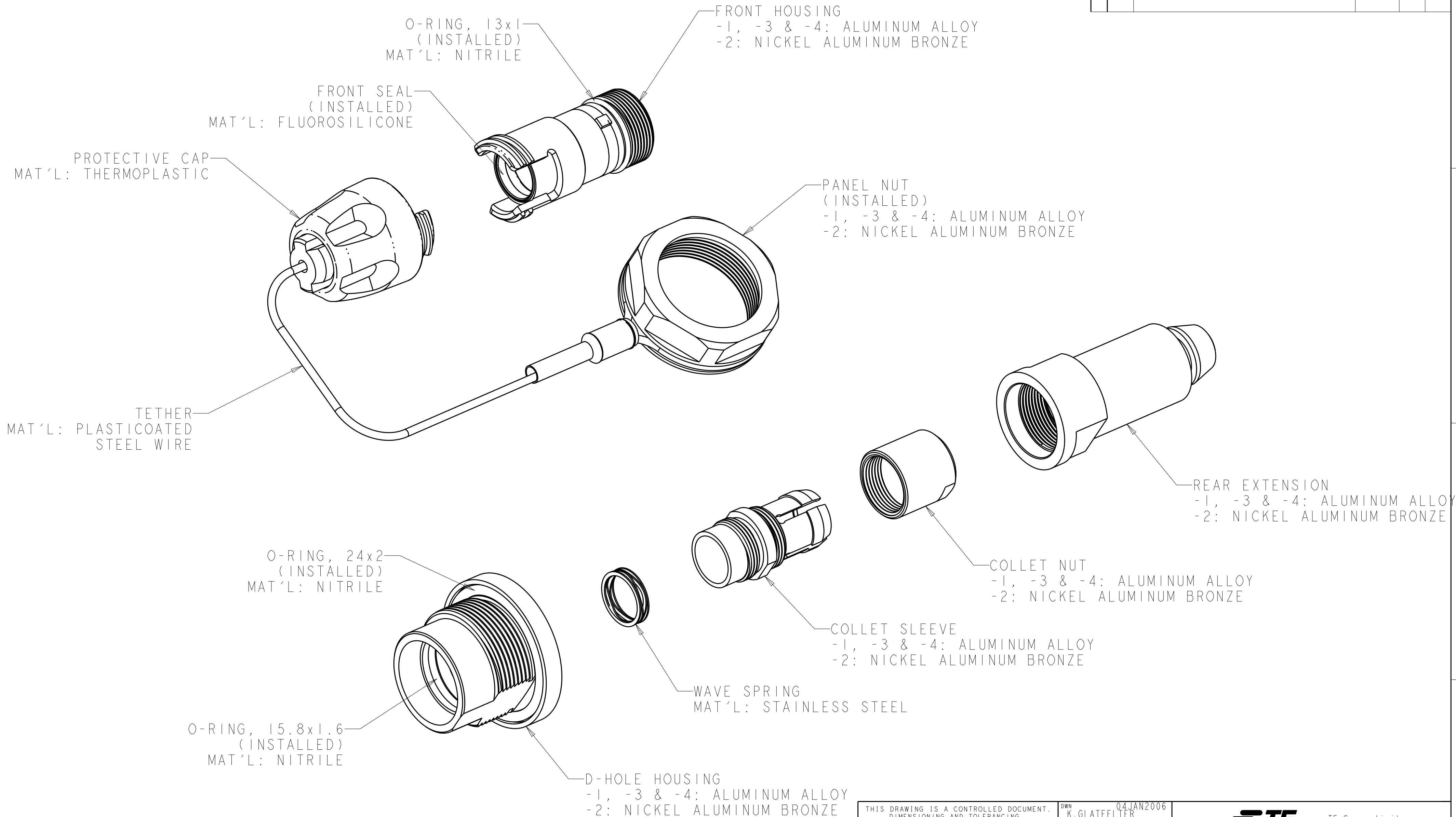
THIS DRAWING IS A CONTROLLED DOCUMENT. DIMENSIONING AND TOLERANCING PER GPS (ISO STANDARDS)		DWN K. GLATFELTER 04 JAN 2006	TE Connectivity	
DIMENSIONS: mm		CHK D. WERTMAN 13 JAN 2006		
TOLERANCES UNLESS OTHERWISE SPECIFIED:		APVD D. WERTMAN 13 JAN 2006	NAME CONNECTOR SHELL KIT, SEALED D-HOLE BULKHEAD, PRO BEAM MINI	
0 PLC ±		PRODUCT SPEC	SIZE CAGE CODE DRAWING NO RESTRICTED TO	
1 PLC ±		APPLICATION SPEC	A200779 C-1918185	
2 PLC ±		WEIGHT	SCALE 2:1 SHEET 1 OF 2 REV B1	
3 PLC ±				
4 PLC ±				
ANGLES ±				
FINISH				
SEE TABLE		Customer Drawing		

1471-9 (3/11)

THIS DRAWING IS UNPUBLISHED. RELEASED FOR PUBLICATION 20
 © COPYRIGHT 20 BY - ALL RIGHTS RESERVED.

LOC		DIST		REVISIONS			
P	LTR	DESCRIPTION	DATE	DWN	APVD		
-	-	SEE SHEET 1	-	-	-		

I. SHIPPED LOOSE PIECE AS SHOWN.



THIS DRAWING IS A CONTROLLED DOCUMENT. DIMENSIONING AND TOLERANCING PER GPS (ISO STANDARDS)		DWN K. GLATFELTER 04 JAN 2006	TE Connectivity	
DIMENSIONS: mm		CHK D. WERTMAN 13 JAN 2006		
TOLERANCES UNLESS OTHERWISE SPECIFIED:		APVD D. WERTMAN 13 JAN 2006	NAME CONNECTOR SHELL KIT, SEALED D-HOLE BULKHEAD, PRO BEAM MINI	
0 PLC ± 1 PLC ± 2 PLC ± 3 PLC ± 4 PLC ± ANGLES ± FINISH		PRODUCT SPEC - APPLICATION SPEC -	SIZE A200779	DRAWING NO C-1918185
MATERIAL - SEE TABLE		WEIGHT -	RESTRICTED TO -	SCALE 2:1
		Customer Drawing	SHEET 2 OF 2	REV B1