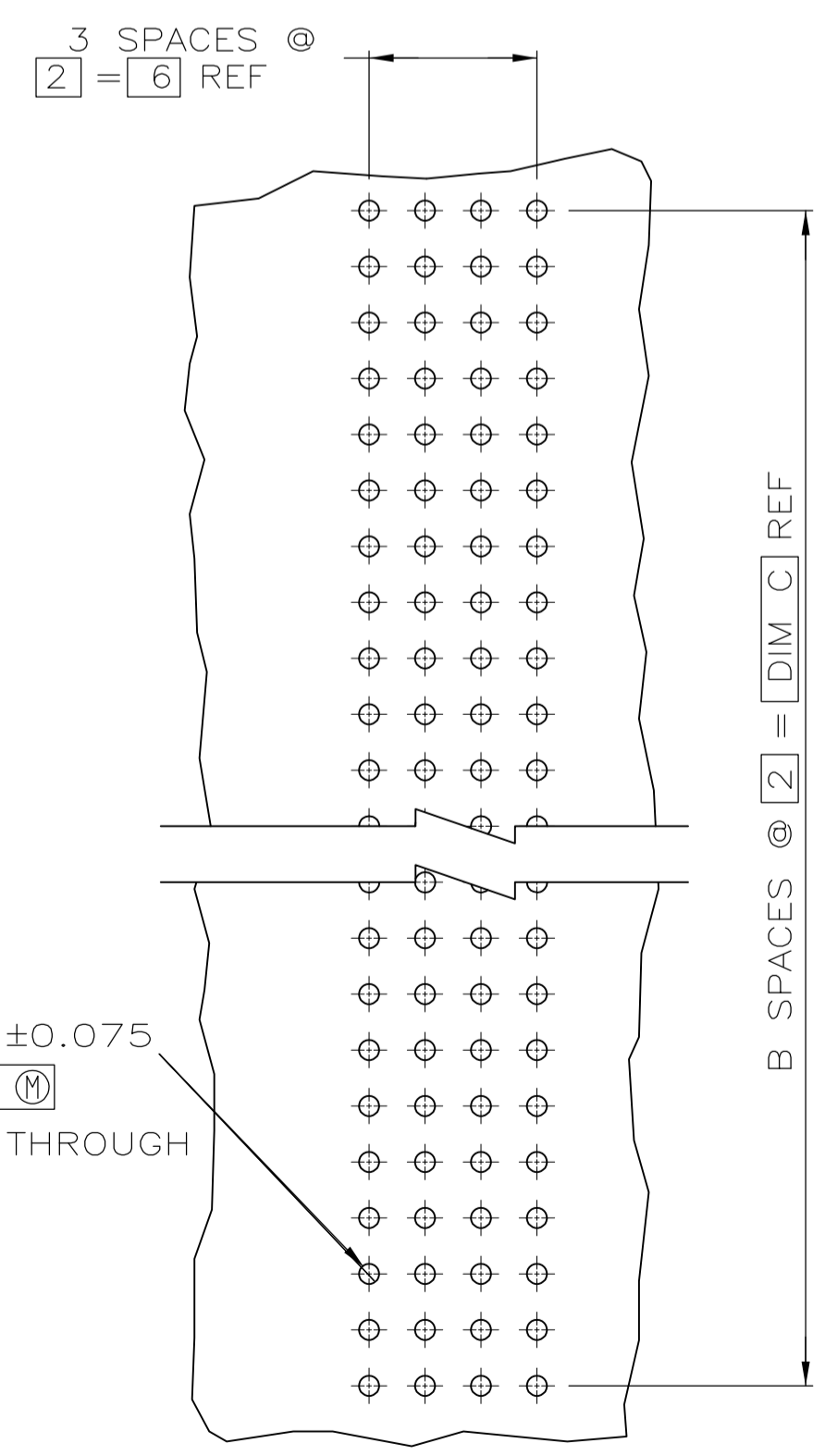
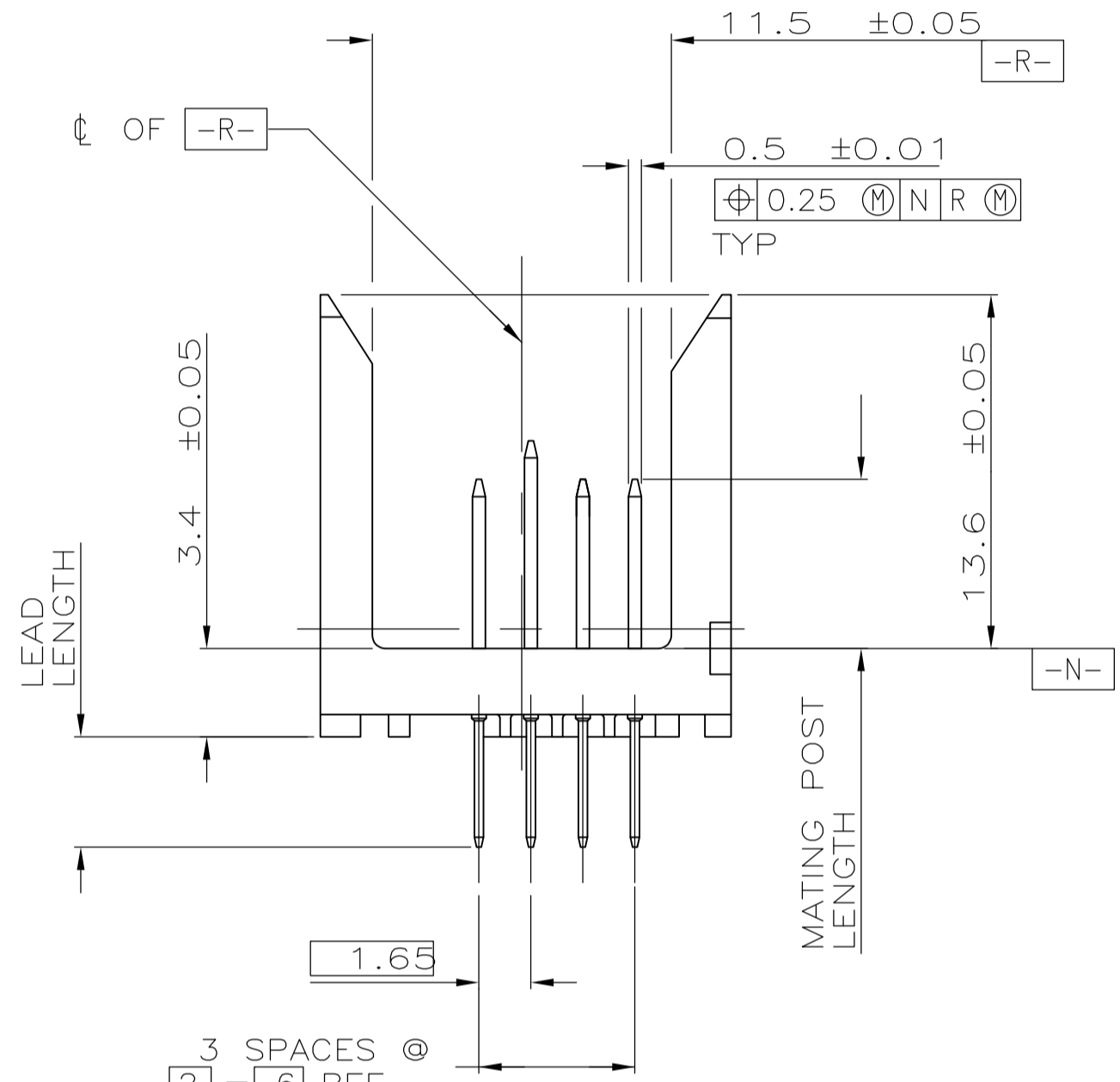
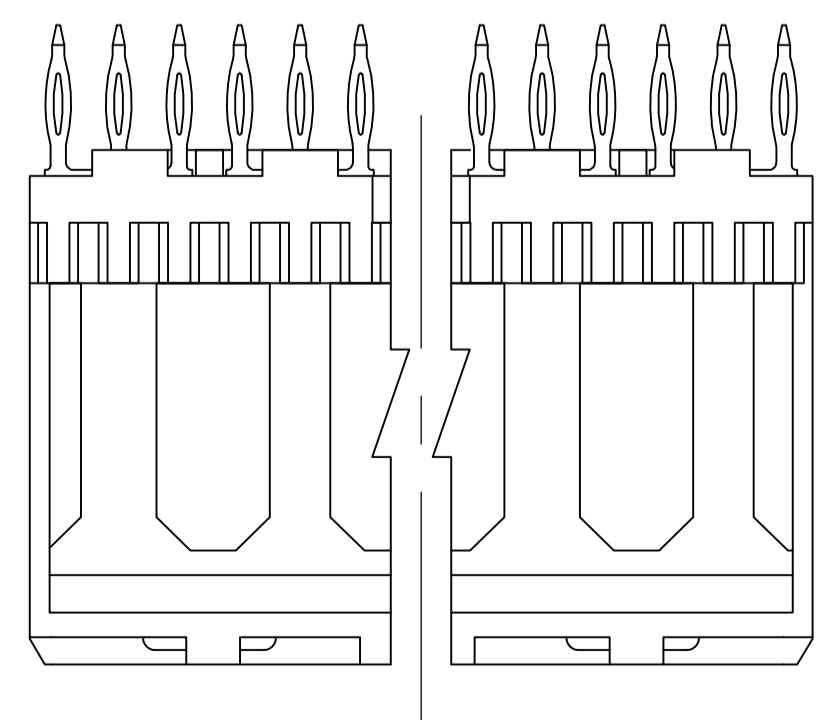
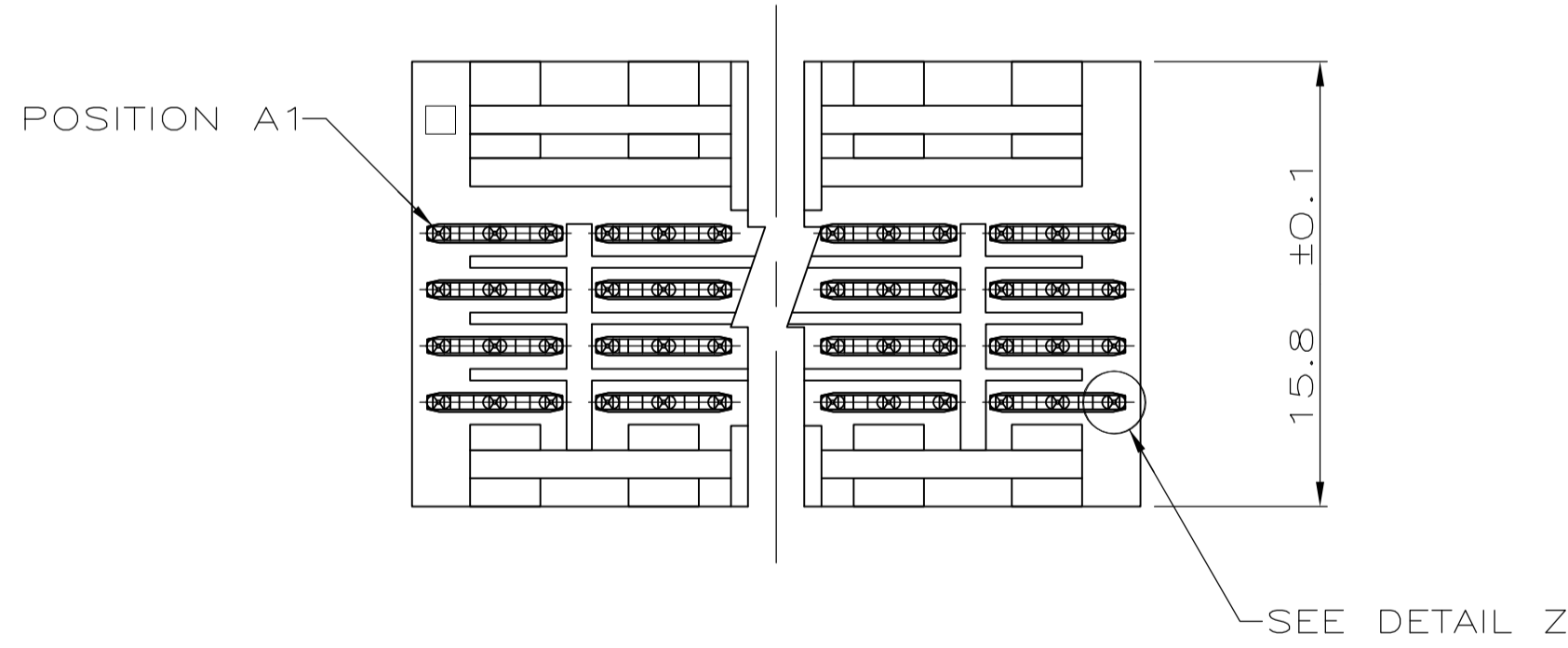
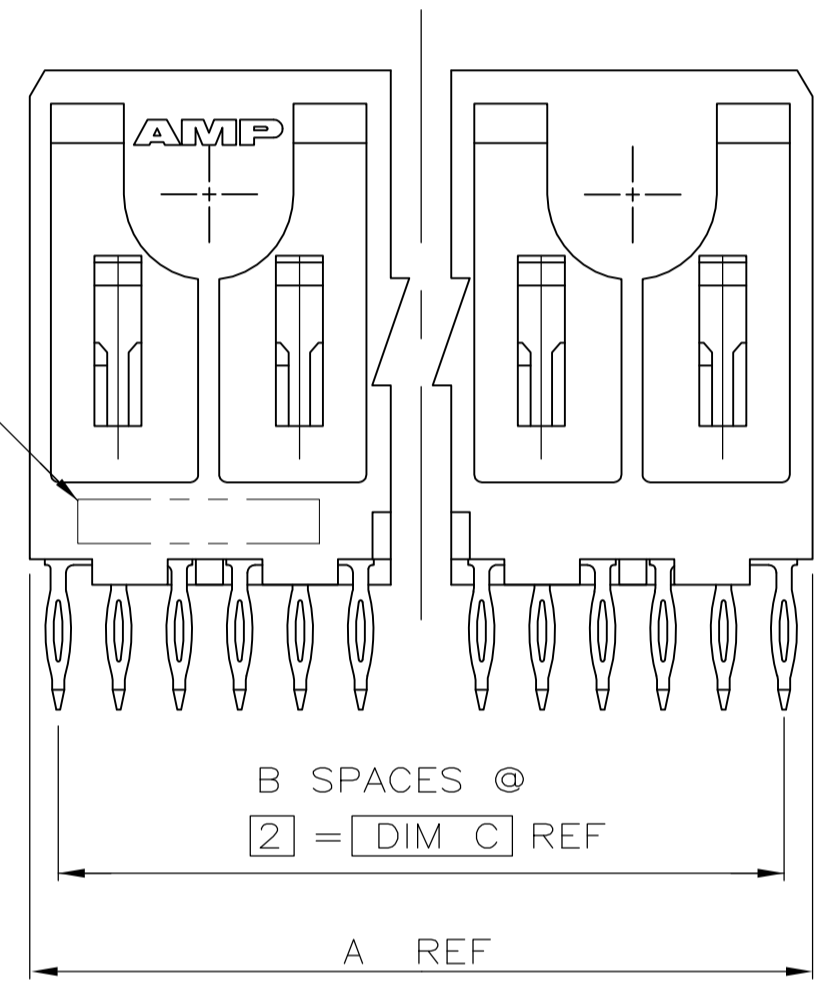
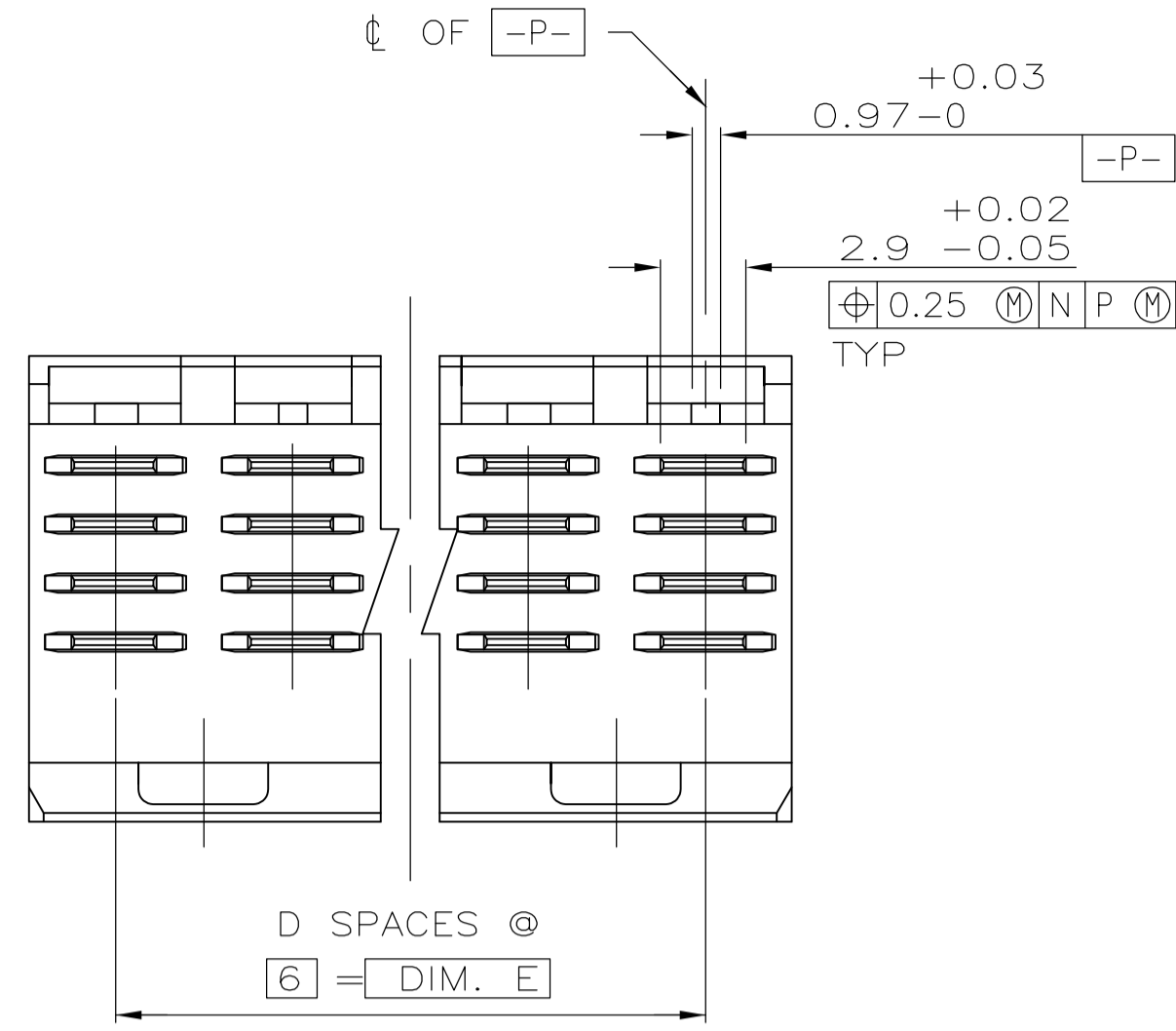


LOC		DIST		REVISONS			
AD	47	REVISED PER ECO-05-010068	21DEC05	JDP	RW		
		REVISED PER ECO-09-021826	08JAN10	KK	AEG		

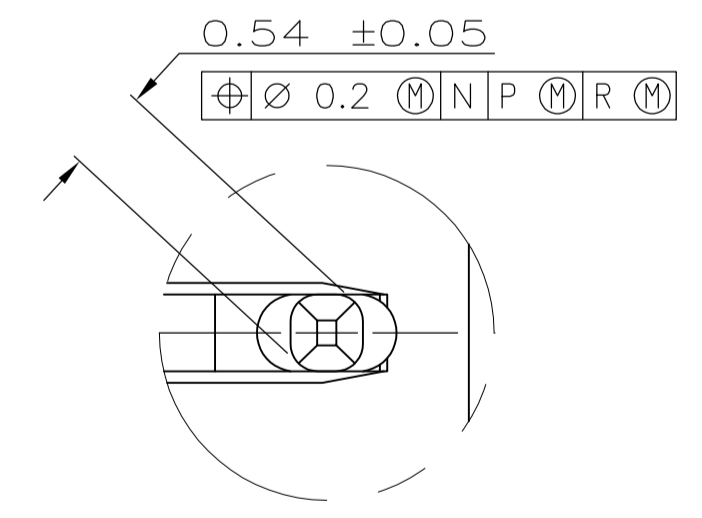


RECOMMENDED CIRCUIT PATTERN
 PER IPC-D300 TYPE II, CLASS C
 (COMPONENT SIDE)

- ① HOUSING MATERIAL: LIQUID CRYSTAL POLYMER PER ASTM D5138 LCPO00 G30A 32250, COLOR: NATURAL.
- ② CONTACT MATERIAL: PHOSPHOR BRONZE PER UNS ALLOY NO. C51100, TEMPER: H04.
- ③ CONTACT FINISH:
 UNDERPLATE (ENTIRE CONTACT):
 0.00127 MIN NICKEL PER SAE-AMS-QQ-N-290
 ON MATING SURFACES:
 FLASH GOLD PER ASTM B 488, OVER
 0.00076 MIN PALLADIUM-NICKEL OVER UNDERPLATE, OR
 0.00076 MIN GOLD PER ASTM B 488 OVER UNDERPLATE.
 ON LEADS:
 0.00127 MIN TIN-LEAD OVER UNDERPLATE.
 LUBRICATION (MIN MATING SURFACES):
 SURFACE CONDITIONER AFTER PLATING.
- ④ PART MARKING PER AMP SPEC 115-9009.
 LOCATED APPROXIMATELY AS SHOWN.
- ⑤ OBSOLETE PARTS: OBSOLETE CIS STREAMLINING PER D.RENAUD/D.SINISI

ROW	D	AA	AA	AA	AA
C		AA	AA	AA	AA
B		AC	AC	AC	AC
A		AA	AA	AA	AA
	1	2	3		X
	POWER			POWER	
	POSITION				

CODE LETTER	MATING POST LENGTH ±0.1	LEAD LENGTH (REF)
AA	6.5	4.25
AC	8	4.25



DETAIL Z
 SCALE 20:1

⑤ OBSOLETE	18	3	22	1.1	23.88	③	16	536606-2
	6	1	10	5	11.88	③	8	536606-1
	E	D	C	B	A	FINISH	NO OF POWER POSN	PART NUMBER

THIS DRAWING IS A CONTROLLED DOCUMENT.

DIMENSIONS: mm	TOLERANCES UNLESS OTHERWISE SPECIFIED:	DIN R BUCHHEISTER 07/DEC/95	CHIK D BAECHTLE 07/DEC/95	APVD D SINISI 07/DEC/95	NAME	Tyco Electronics Corporation Harrisburg, PA 17105-3608
0 PLC ± -	1 PLC ± -	2 PLC ± 0.13	3 PLC ± -	4 PLC ± -	ANGLES ± -	ASSEMBLY, PIN, POWER, VERTICAL, Z-PACK 2mm FB, 4 ROW, PRESS FIT LEADS, SEQUENCED BY ROW
MATERIAL	FINISH	WEIGHT	SIZE	CAGE CODE	DRAWING NO	RESTRICTED TO
			A1	00779	536606	
CUSTOMER DRAWING		SCALE	4:1	SHEET	1 of 1	REV
						K1