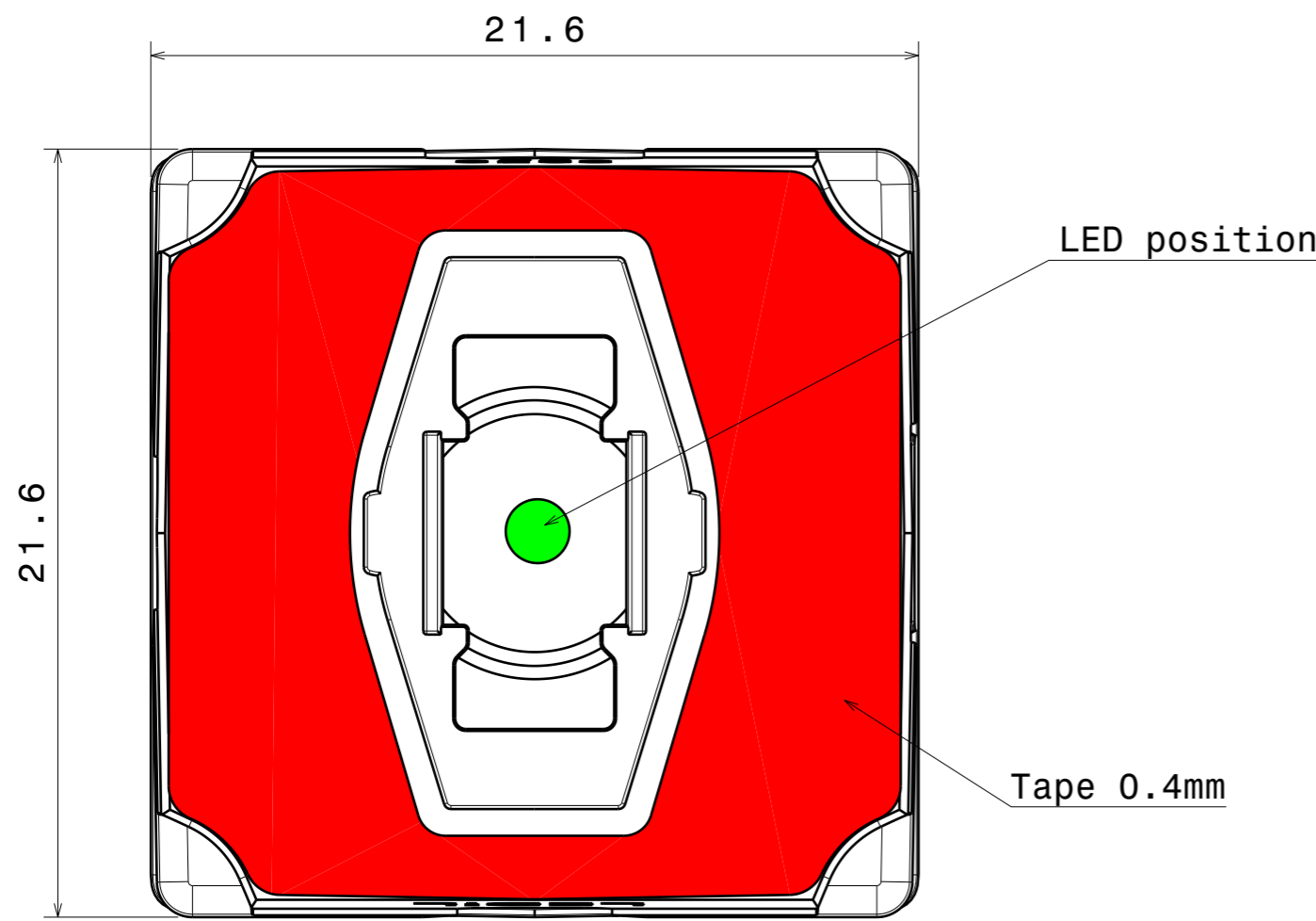
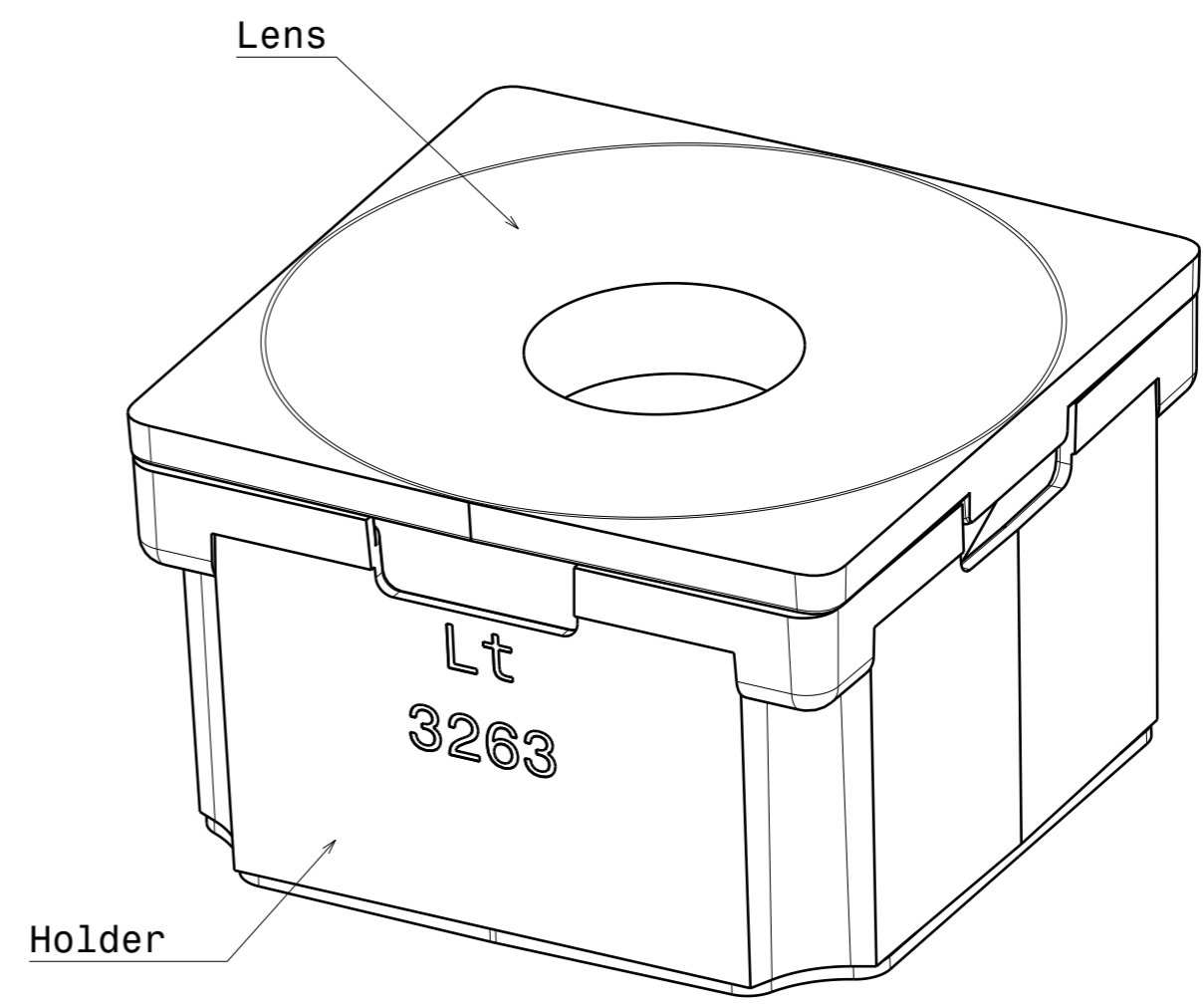


H G F E D C B A

4



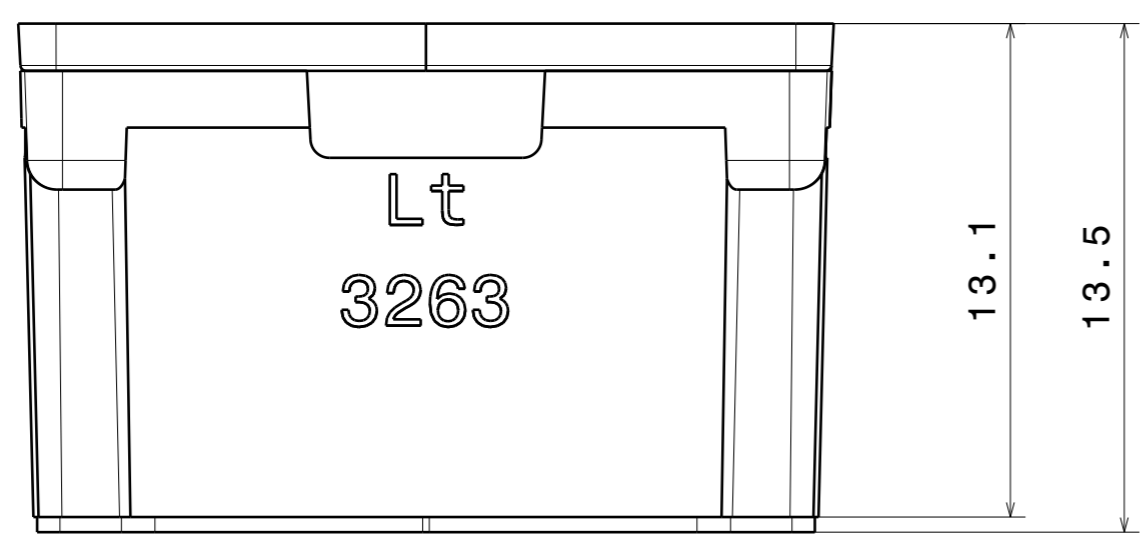
Bottom view



Isometric view
Scale: 5:1

3

2



Front view

COMPONENTS

CA13621_G2-NIS83-MX-2-RS_

INDEX	PART	TYPE	MATERIAL	COLOR / COATING
1	C10278_ROSE-TAPE		Tape	
2	C10520_ROSE-RS		PMMA	
3	C13263_ROSE-Lt-HLD-N83-WHT			white

MECHANICAL DRAWING		LEDiL [®]
PRODUCT	ROSE	
Plastic molding general tolerances are based on DIN 16901-130 and applies if not otherwise shown in drawing. Silicone molding general tolerances are based on ISO 3302-1 Class M3 and applies if not otherwise shown in the drawing.	FIRST ANGLE PROJECTION: 	This drawing is the property of LEDiL Oy. It may not be reproduced, copied or communicated without a written agreement with LEDiL Oy.
SCALE	5:1	WEIGHT -
		A3 SHEET 1/1

Notes

- PCB or heatsink level.
- LED location.
- Ensure LED fitting from a product specific 3D model available from www.ledil.com.

H G B A

4

3

2

1