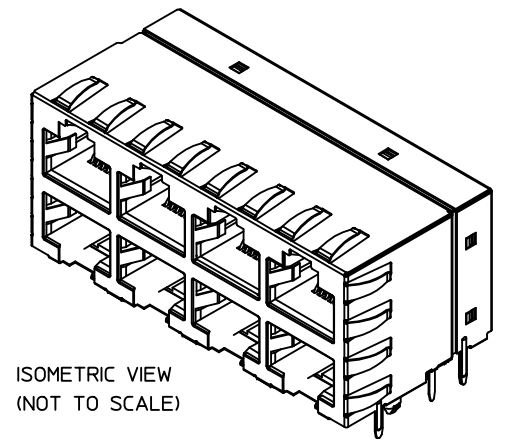
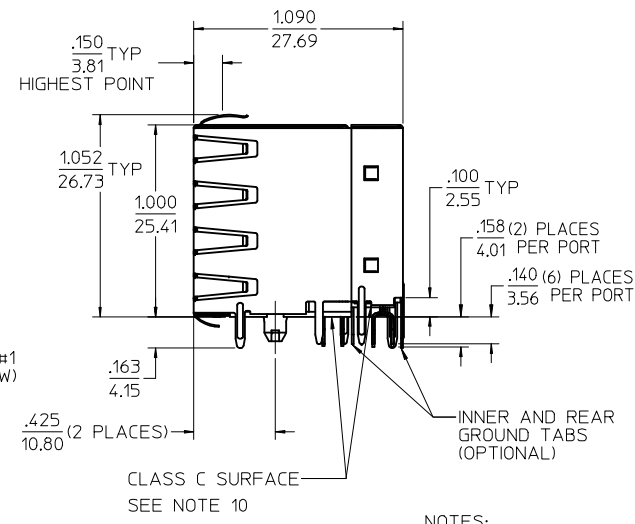
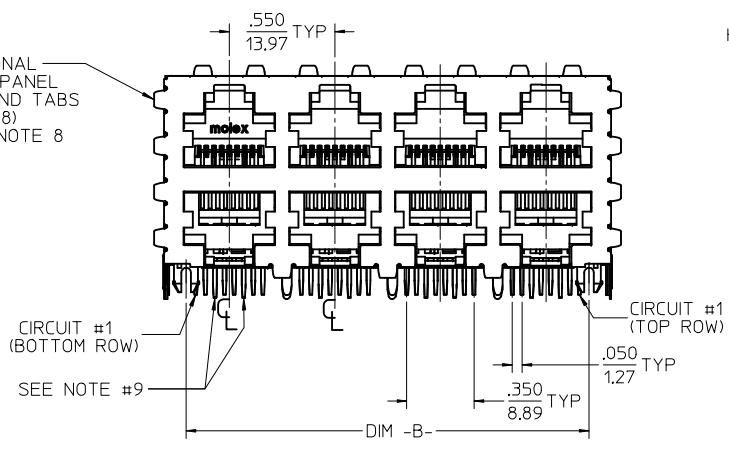
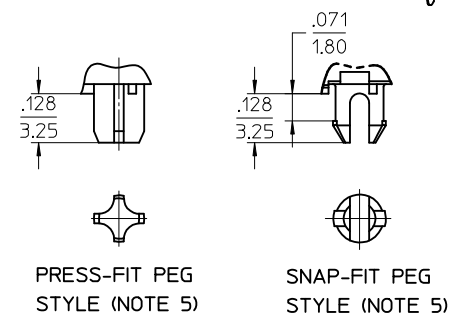


OPTIONAL SIDE PANEL GROUND TABS TYP (8) SEE NOTE 8



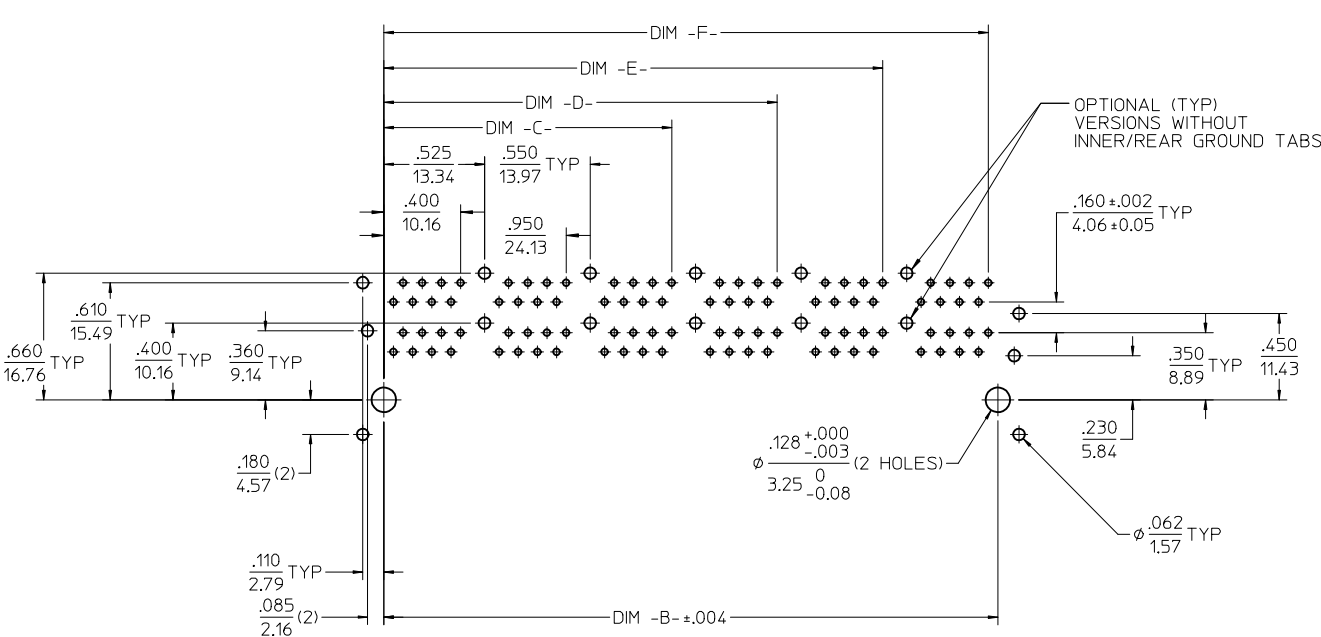
ISOMETRIC VIEW (NOT TO SCALE)



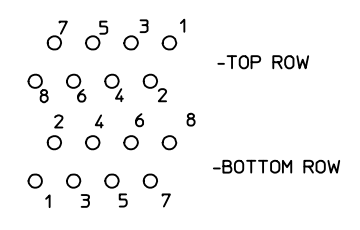
- NOTES:
- MATERIAL:
HOUSING: POLYESTERIPBT, GLASS FILLED, UL94V-0, COLOR: BLACK
TERMINALS: PHOSPHOR BRONZE
SHIELD: BRASS
 - FINISH:
TERMINALS:
SELECT GOLD IN CONTACT AREA: 50 MICROINCHES MIN.,
SELECT TIN IN PC TAIL AREA: 100 MICROINCHES MIN.,
WITH OVERALL NICKEL UNDERPLATE: 50 MICROINCHES MIN.
SHIELD:
100 MICROINCHES NICKEL OVER 50 MICROINCHES COPPER UNDERPLATE
PCB GROUND TABS DIPPED IN TIN
 - PRODUCT SPECIFICATION: PS-44050-003.
 - PACKAGING SPECIFICATION: CONNECTOR PACKAGED IN THERMOFORMED TRAYS PER PK-44520-003.
 - CONNECTORS AVAILABLE WITH EITHER SNAP-FIT OR PRESS-FIT PEGS.
 - CONFORMS TO FCC REGULATION PART 68.5 FOR MODULAR JACKS.
 - PCB LAYOUT AND PANEL CUT-OUT SHOWN ON SHEET (2) OF (2).
 - AVAILABLE WITH THE (8) PANEL GROUND TABS REMOVED ON EACH SIDE FOR SIDE TO SIDE STACKABILITY.
 - TERMINAL LENGTHS MAY BE DIFFERENT FROM TERMINAL TO TERMINAL.
 - THIS PART CONFORMS TO CLASS B REQUIREMENTS OF COSMETIC SPECIFICATION PS-45499-002 WITH THE EXCEPTION OF THE INDICATED SURFACE WHICH IS A CLASS C SURFACE.

ASSEMBLY MATERIAL NUMBER	NUMBER OF PORTS	PEG STYLE	DIM -A-	DIM -B-	SIDE PANEL GROUND TABS	INNER/REAR GROUND TABS
44520-0001	8 (2 X 4)	SNAP-FIT	2.330/59.18	2.100/53.34	YES	YES
44520-2001	8 (2 X 4)	SNAP-FIT	2.330/59.18	2.100/53.34	NO	YES
44520-3001	8 (2 X 4)	SNAP-FIT	2.330/59.18	2.100/53.34	YES	NO
44520-4001	8 (2 X 4)	SNAP-FIT	2.330/59.18	2.100/53.34	NO	NO
44520-0004	8 (2 X 4)	PRESS-FIT	2.330/59.18	2.100/53.34	YES	YES
44520-2004	8 (2 X 4)	PRESS-FIT	2.330/59.18	2.100/53.34	NO	YES
44520-3004	8 (2 X 4)	PRESS-FIT	2.330/59.18	2.100/53.34	YES	NO
44520-4004	8 (2 X 4)	PRESS-FIT	2.330/59.18	2.100/53.34	NO	NO
44520-0002	12 (2 X 6)	SNAP-FIT	3.430/87.12	3.200/81.28	YES	YES
44520-2002	12 (2 X 6)	SNAP-FIT	3.430/87.12	3.200/81.28	NO	YES
44520-3002	12 (2 X 6)	SNAP-FIT	3.430/87.12	3.200/81.28	YES	NO
44520-4002	12 (2 X 6)	SNAP-FIT	3.430/87.12	3.200/81.28	NO	NO
44520-0005	12 (2 X 6)	PRESS-FIT	3.430/87.12	3.200/81.28	YES	YES
44520-2005	12 (2 X 6)	PRESS-FIT	3.430/87.12	3.200/81.28	NO	YES
44520-3005	12 (2 X 6)	PRESS-FIT	3.430/87.12	3.200/81.28	YES	NO
44520-4005	12 (2 X 6)	PRESS-FIT	3.430/87.12	3.200/81.28	NO	NO

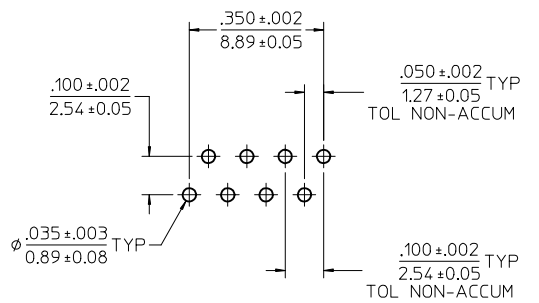
OBsolete 16 PORT EC NO: UCP2014-5436 DRWINANGUYEN 2014/06/26 CHKD:JBELL 2014/06/26 APPR:FSMITH 2014/07/17 D1	QUALITY SYMBOLS 	GENERAL TOLERANCES (UNLESS SPECIFIED)		DIMENSION STYLE		SCALE	DESIGN UNITS	THIRD ANGLE PROJECTION	
				IN/MM		2:1	INCH		
		mm INCH		DRAWN BY	DATE	STACKED MODULAR JACK CATEGORY 5			
		4 PLACES ± --- ± ---		MARGULIS	99/04/16				
		3 PLACES ± --- ± .010		CHECKED BY	DATE				
2 PLACES ± 0.25 ± ---		ROBERTS	99/04/18						
1 PLACE ± --- ± ---		APPROVED BY	DATE						
0 PLACE ± ±		ROBERTS	99/04/18	MATERIAL NO.		DOCUMENT NO.		SHEET NO.	
ANGULAR ±1/2°		SEE CHART		SD-44520-001		1 OF 2			
DRAFT WHERE APPLICABLE MUST REMAIN WITHIN DIMENSIONS									
THIS DRAWING CONTAINS INFORMATION THAT IS PROPRIETARY TO MOLEX INCORPORATED AND SHOULD NOT BE USED WITHOUT WRITTEN PERMISSION									



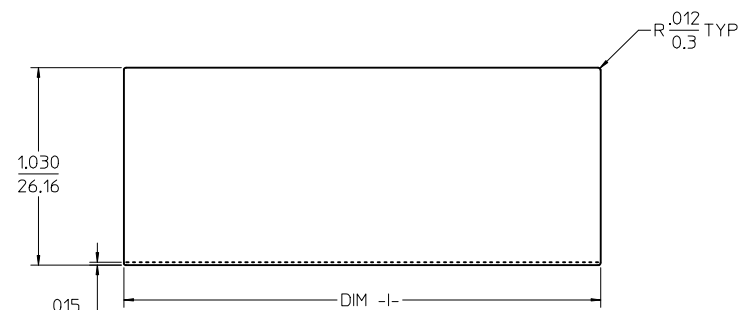
PC BOARD LAYOUT: COMPONENT SIDE
 RECOMMENDED PCB THICKNESS: .062/1.57
 (12 PORT VERSION SHOWN)
 ALL DIMENSION TOLERANCES ARE ±.003/±.08
 UNLESS SPECIFIED OTHERWISE



MOLEX TRADITIONAL PIN LAYOUT (TYP)



TYP HOLE LAYOUT (EACH PORT)



FROM TOP OF PCB TO BOTTOM OF OPENING

RECOMMENDED PANEL CUTOUT

NUMBER OF PORTS	DIM -B-	DIM -C-	DIM -D-	DIM -E-	DIM -F-	DIM -I-
8 (2 X 4)	2,100/53.34	1,500/38.10	2,050/52.07			2,360/59.94
12 (2 X 6)	3,200/81.28	1,500/38.10	2,050/52.07	2,600/66.04	3,150/80.01	3,460/87.88

SEE SHEET 1	QUALITY SYMBOLS
EC NO: UCP2014-5436	▽=0
DRW: NGUYEN 2014/06/26	▽=0
CHKD: BELL 2014/06/26	▽=0
APPR: FSMITH 2014/07/17	
REV	DESCRIPTION
D1	

GENERAL TOLERANCES (UNLESS SPECIFIED)	
mm	INCH
4 PLACES ± .010	± .004
3 PLACES ± .010	± .004
2 PLACES ± 0.25	± .010
1 PLACE ± .010	± .004
0 PLACE ±	±
ANGULAR ±1/2°	
DRAFT WHERE APPLICABLE MUST REMAIN WITHIN DIMENSIONS	

DIMENSION STYLE		SCALE	DESIGN UNITS	THIRD ANGLE PROJECTION
IN/MM		2:1	INCH	
DRAWN BY	DATE	TITLE		
MARGULIS	99/04/16	STACKED MODULAR JACK CATEGORY 5		
CHECKED BY	DATE			
ROBERTS	99/04/18			
APPROVED BY	DATE	MATERIAL NO. SEE CHART DOCUMENT NO. SD-44520-001 SHEET NO. 2 OF 2		
ROBERTS	99/04/18	THIS DRAWING CONTAINS INFORMATION THAT IS PROPRIETARY TO MOLEX INCORPORATED AND SHOULD NOT BE USED WITHOUT WRITTEN PERMISSION		