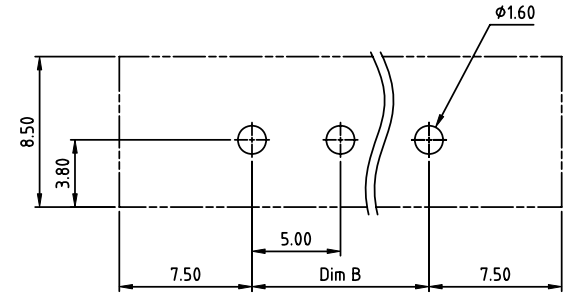
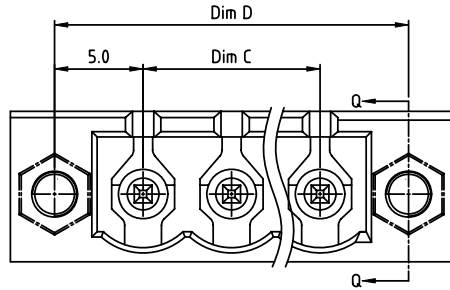
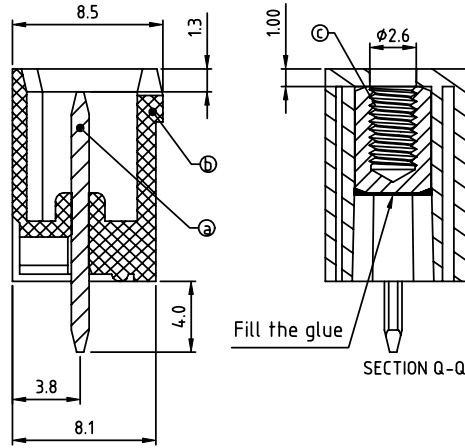
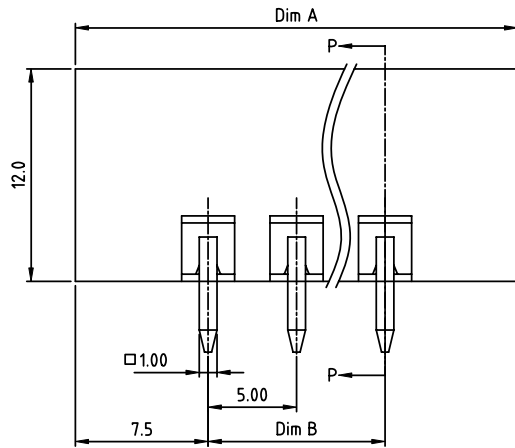


PRODUCT NUMBER	PITCH
OQxx75x000J0G	5.00 mm



RECOMMENDED P.C.B LAYOUT
TOP VIEW



Material:

- Item ① Contact pin: Copper Tin plated
- Item ② Terminal housing: Thermoplastic (UL94V-0)
- Item ③ Flange nut: Brass M2.5

Electrical: cULus /VDE /TUV

- Voltage rating: 300V/300V/300V
- Current rating: 20A/20A/20A
- Withstanding Voltage: 1.6 KV/2.5KV/2.5KV
- Operating temperature: -40°C to +115°C
- Soldering temperature: 260°C±5°C/5 Sec
- Safety Approval:

DIMENSION

Dim A	(N+2)×5.0
Dim B&C	(N-1)×5.0
Dim D	(N+1)×5.0

N= NUMBER OF POLES

Poles	Tolerance
2P-6P	±0.15
7P-12P	±0.20
13P-18P	±0.25
19P-24P	±0.30

PART NO.: OQ xx 7 5 x 0 00J0 G

No. of poles	0	Black (RAL9005)	RoHS compliant (lead<4%) In copper Alloy
02 2 poles	2	Red (RAL3001/D)	
03 3 poles	3	Orange(RAL2011/P)	
...	4	Yellow(RAL1018/A)	
24 24 poles	5	Green(RAL6018/T)	
	6	Blue (RAL5015/A)	
	8	Grey(RAL7035/D)	
	9	White(RAL1102)	
	C	Green(RAL6018/U)	

mat'l. code		surface ASME Y14.5	tolerance ASME Y14.5	projection 	product family TERMINAL BLOCK
ltr	ecn no	dr	date	tolerances unless otherwise specified	title TERMINAL BLOCK
				angles X°±1°	
				MM	PLUGGABLE SOCKET, WITH FLANGE, VERTICAL
				scale	sheet 1 of 1 size
		dr	HANKE FENG	032814	dwg no
		enr	HANKE FENG	032814	OQxx75x000J0G
		chr	SHI JUN	032814	A4
		appd	SHI JUN	032814	type
					CUSTOMER Drawing
sheet index	revision sheet	A	1		