

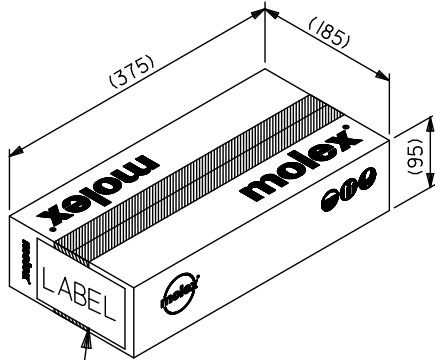
1. 製品名称／PRODUCT NAME : 1.20MM PITCH, W-T-B RECEPTACLE CONNECTOR  
 製品番号／PART NUMBER : 7 8 1 7 2 - 0 0 0 \*  
 (\*は極数を示す)  
 (\* IS CIRCUITS SIZE)

2. 標準梱包数／STANDARD PACKAGING QUANTITY

極 数 CKT. SIZE	ポリ袋 POLY BAG	内装カートン PRIMARY CARTON		外装カートン SHIPPING CARTON
	1袋中の製品数 QUANTITY IN ONE BAG	ポリ袋の数 NUMBER OF POLY BAG	製品数 QUANTITY	製品数(内装カートン×4) QUANTITY (PRIMARY CARTON X4)
2	5,000	5	25,000	100,000
3	5,000	5	25,000	100,000
4	5,000	5	25,000	100,000
5	5,000	5	25,000	100,000

REV.	A																			
SHEET	1~2																			
REVISE ON PC ONLY										TITLE:										
<b>A</b>	RELEASED J2013-0472 2012/10/22 T.NAKAGAWA					7 8 1 7 2 梱包仕様書 SALES PACKAGING SPEC. FOR 78172														
	THIS DOCUMENT CONTAINS INFORMATION THAT IS PROPRIETARY TO MOLEX INC. AND SHOULD NOT BE USED WITHOUT WRITTEN PERMISSION																			
REV.	DESCRIPTION																			
DESIGN CONTROL J					STATUS					WRITTEN BY: T.NAKAGAWA	CHECKED BY: T.HARUYAMA	APPROVED BY: H.HIRATA	DATE: YR/MO/DAY 2012/10/22							
DOCUMENT NUMBER <b>SPK-78172-001</b>															FILE NAME SPK78172001.doc	SHEET 1 OF 2				

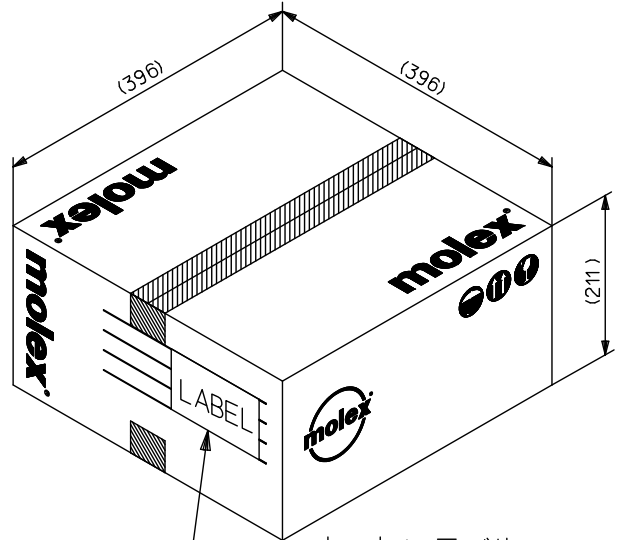
3. カートン外形参考寸法 / CARTON OUTER DIMENSIONS (REFERENCE PURPOSE ONLY)



現品票  
PART IDENTIFICATION LABEL

(製品型番, 数量, ロットNO. 表示)  
INDICATION OF PART No., QUANTITY, LOT No.

内装カートン  
PRIMARY CARTON



カートンラベル  
CARTON LABEL

(製品型番, 数量, ロットNO. 表示)  
INDICATION OF PART No., QUANTITY, LOT No.

外装カートン  
SHIPPING CARTON

<b>A</b>	REVISE ON PC ONLY	TITLE:  <b>7 8 1 7 2 梱包仕様書</b> SALES PACKAGING SPEC. FOR 78172
	SEE SHEET 1 OF 2	
REV.	DESCRIPTION	THIS DOCUMENT CONTAINS INFORMATION THAT IS PROPRIETARY TO MOLEX INC. AND SHOULD NOT BE USED WITHOUT WRITTEN PERMISSION
DOCUMENT NUMBER <b>SPK-78172-001</b>		FILE NAME SPK78172001.doc
		SHEET 2 OF 2