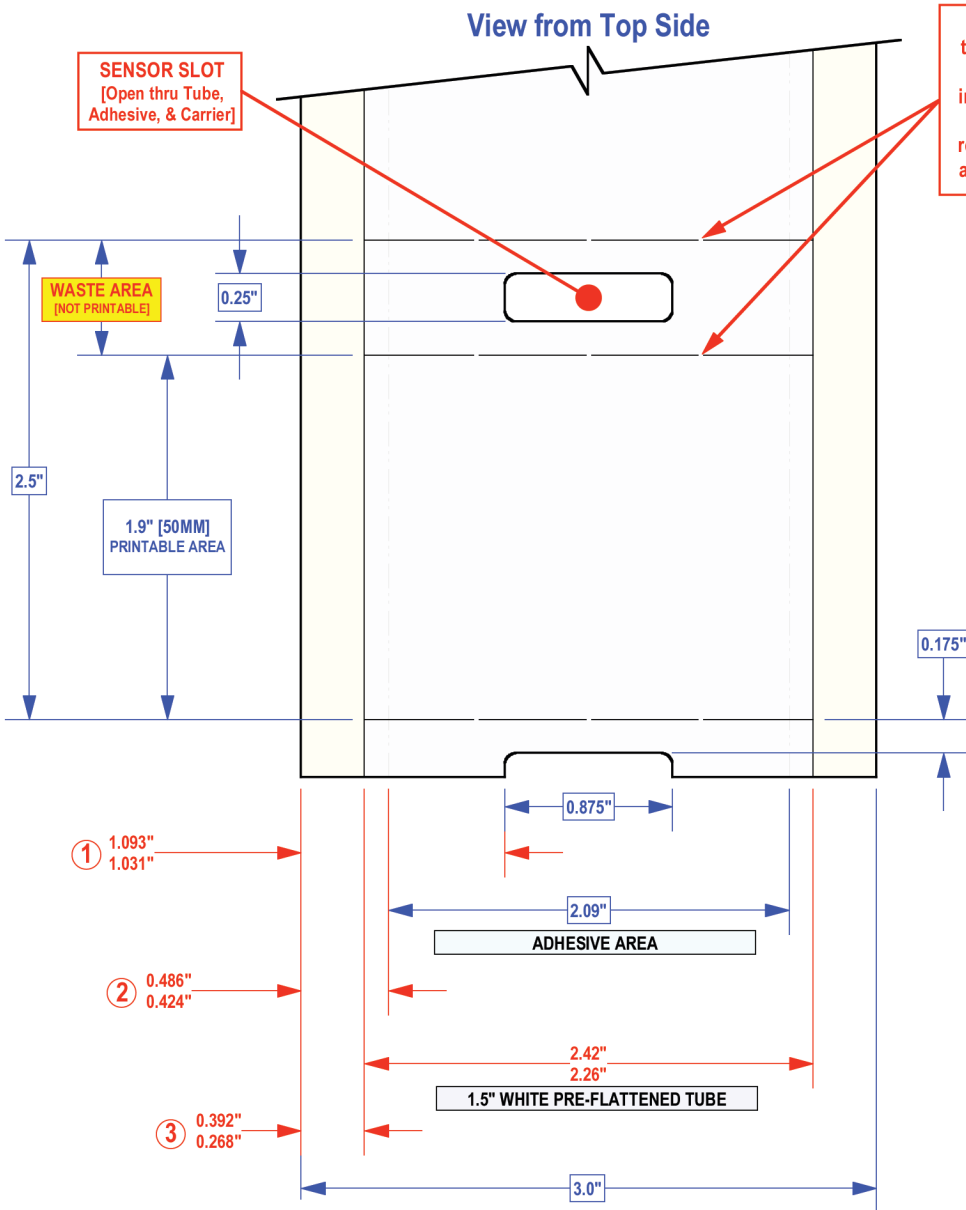


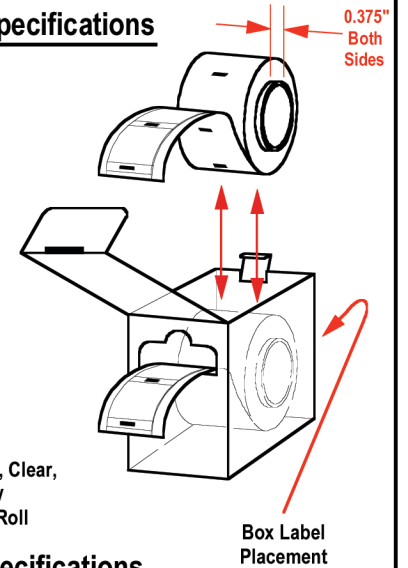
### View from Top Side



Tube to be fully cut through both layers with ties at predetermined intervals to allow feeding through printers, removability from carrier, and opening for end use.

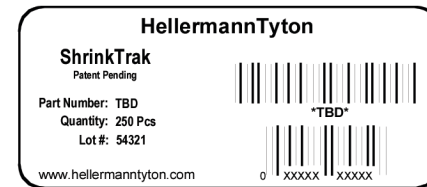
### Packaging Specifications

- Qty per Roll: 250 Pcs
- Counter: 63
- Parts Wound: IN
- Core ID: 3.0"
- Core Width: 3.75"
- Core Material: Cardboard  
Thin-Walled  
Waxed
- Box No.: 25631 D
- Box Label: 3.5" x 1.5"
- Core Label: 3.5" x 1.5"
- Hold-Down: 1/2" Tape
- Splices: Butt, 1.0" Tape, Clear,  
Liner Side Only  
Max 3 Splices/Roll



### Labeling Specifications

Identical Label for Box and Core



### Tooling Specifications

- |                |      |          |     |
|----------------|------|----------|-----|
| Tube Cutter:   | 3531 | Back-Up: | TBD |
| Tube Slitter:  | N/A  | Back-Up: | TBD |
| Top Cutter:    | 3532 | Back-Up: | TBD |
| Bottom Cutter: | N/A  | Back-Up: | N/A |

### Mfg Specifications

Dwg Number: TBD