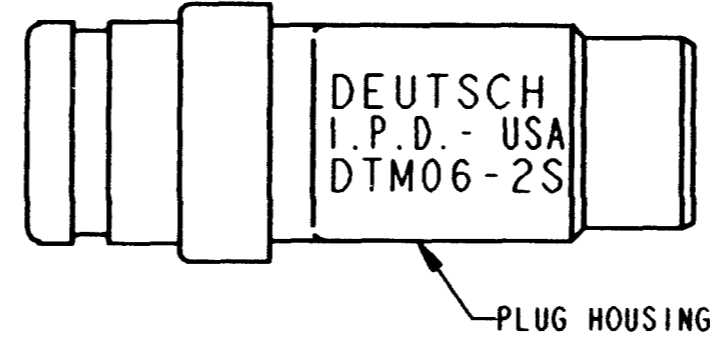
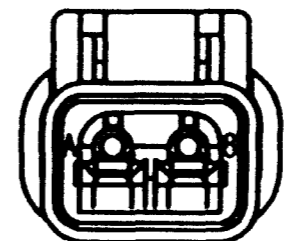
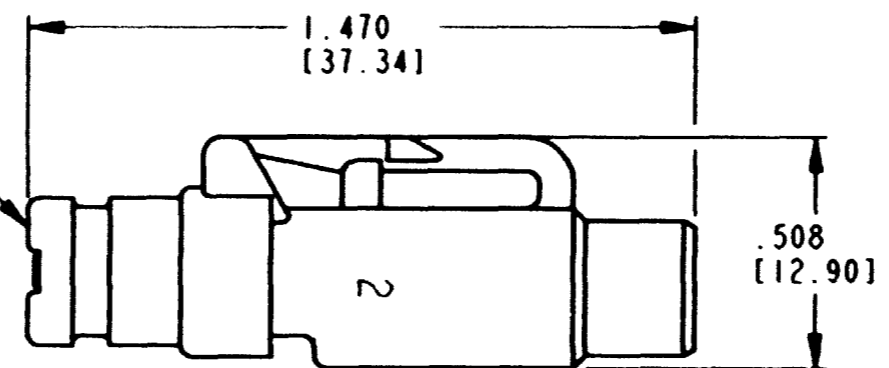


7 EXTENDED CAP



REV A DTMO6-2S-E007

REVISIONS			
SYM	DESCRIPTION	DATE	APPROVED
NC	NEW RELEASE PER E.O. A14923	11-1-95	R.D.R.
A	REDRAWN & REVISED PER E.O. P19207	3-30-06	ADR

- 7 PART MODIFICATION: EXTENDED CAP.
 - 6. MATERIAL - HOUSING/EXTEND CAP: PLASTIC; GROMMET: RUBBER.
 - 5. THIS PLUG MATES WITH DTMO4-2P-**** RECEPTACLE. (**** = ALL MODIFICATIONS)
 - 4 FOR CONTACT AND WIRE PERFORMANCE AND APPLICATION CHARACTERISTICS SEE ENVELOPE DRAWING 0425-015-0000.
 - 3. SECONDARY WEDGE LOCK SOLD SEPARATELY: WM-2S, WM-2S*. (* = A,B,C,D KEYS)
 - 2. DIMENSION TOLERANCE: $\pm .025$ [.64].
 - 1. DIMENSIONS ARE IN INCHES [mm].
- NOTES: UNLESS OTHERWISE SPECIFIED

CONTACT SIZE	MIN. INSUL. O.D.	MAX. INSUL. O.D.	WIRE RANGE [mm ²] REF ONLY
20	.053 [1.35]	.120 [3.05]	16-20 AWG [1.0-0.5]

SIGNATURE & DATE	
DR	J. APOSTOL 06MAR2006
CHK	R. Meyer 3/2/06
PE	D. Meyer 3/2/06
APPD	R. Rad 3-30-06
SCALE	NONE WT

PLUG W/EXTENDED CAP
2 CONTACTS, SIZE 20
COLOR: GREY
-E007 MOD
DTM SERIES

ENVELOPE

CP	MATL. CODE
The Deutsch Company DEUTSCH I.P.D. 3850 INDUSTRIAL AVE. HEMET, CALIF. 92545	
B	DTMO6-2S-E007
DWG. SIZE	CODE 11139 SHEET OF