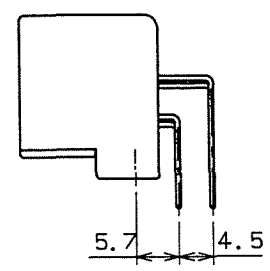
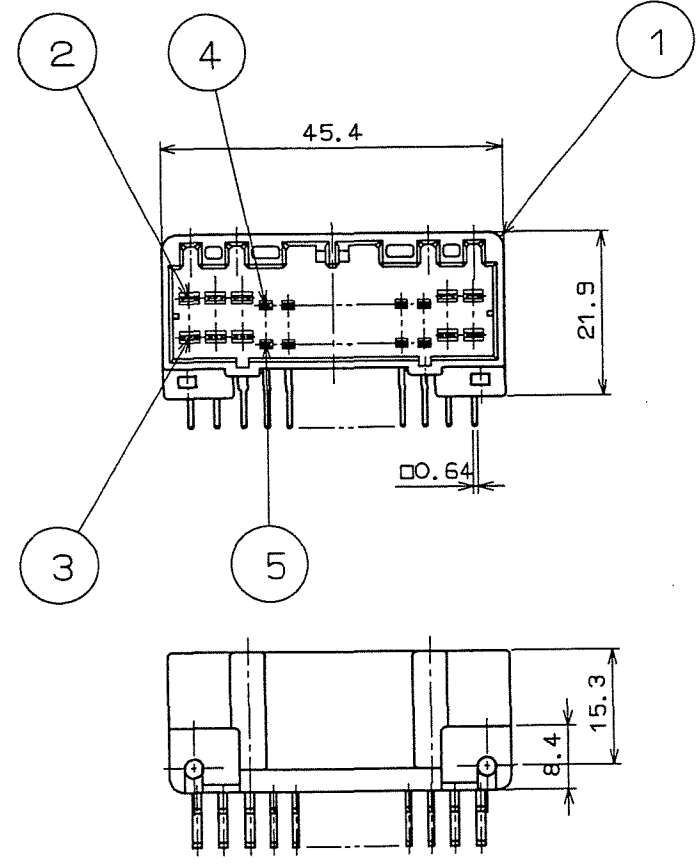
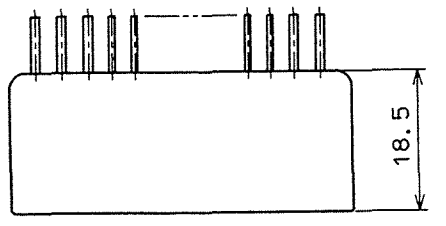
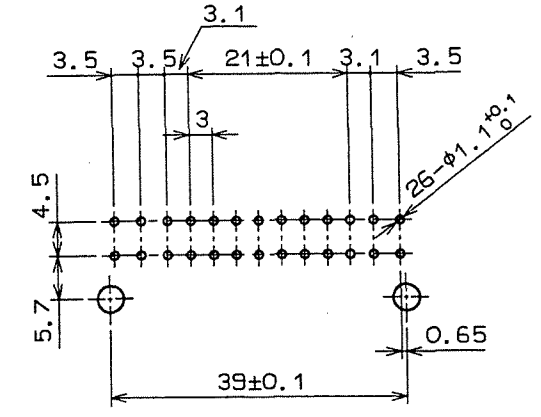


Apr.1.2017 Copyright 2017 HIROSE ELECTRIC CO., LTD. All Rights Reserved.

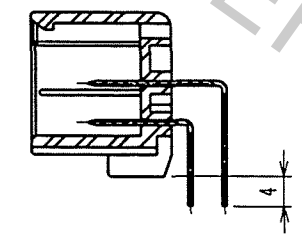
ELV. RoHS COMPLIANT



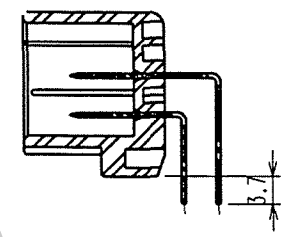
COUNT	DESCRIPTION OF REVISIONS	BY	CHKD	DATE	COUNT	DESCRIPTION OF REVISIONS	BY	CHKD	DATE
△				..	△				..
△				..	△				..
△				..	△				..



RECOMMENDED PC BOARD
(NO TOLERANCE OF DIMENSION SHALL BE ± 0.05)



DIP LENGTH SIGNAL SIDE



DIP LENGTH POWER SUPPLY SIDE

1	BRASS	TIN PLATED	1	BRASS	TIN PLATED
1	PBT	94V-0 LIGHT GRAY	1	BRASS	TIN PLATED
NO.	MATERIAL	FINISH, REMARKS	NO.	MATERIAL	FINISH, REMARKS

CODE NO. (OLD)	DRAWN	DESIGNED	CHECKED	APPROVED	RELEASED
	S.KURIYA 06.7.28	A.SHIRAI 94.5.6	K. Aoto 06.7.31	K. Aoto 06.7.31	..

SCALE 1 : 1	DRAWING NO. EDC3-165046-01	PART NO. GT7-26DP-DS(70)
UNITS mm	HRS HIROSE ELECTRIC CO., LTD	CODE NO. CL757-0006-5-70

NOTE1. FIXING SCREWS JIS B1115, 1122 M3 SHALL BE FOR THIS PRODUCT.

TO