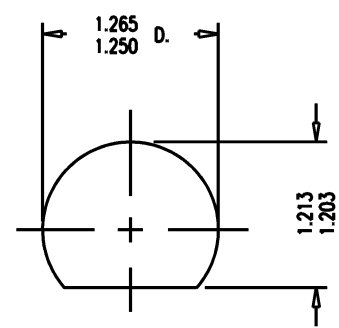
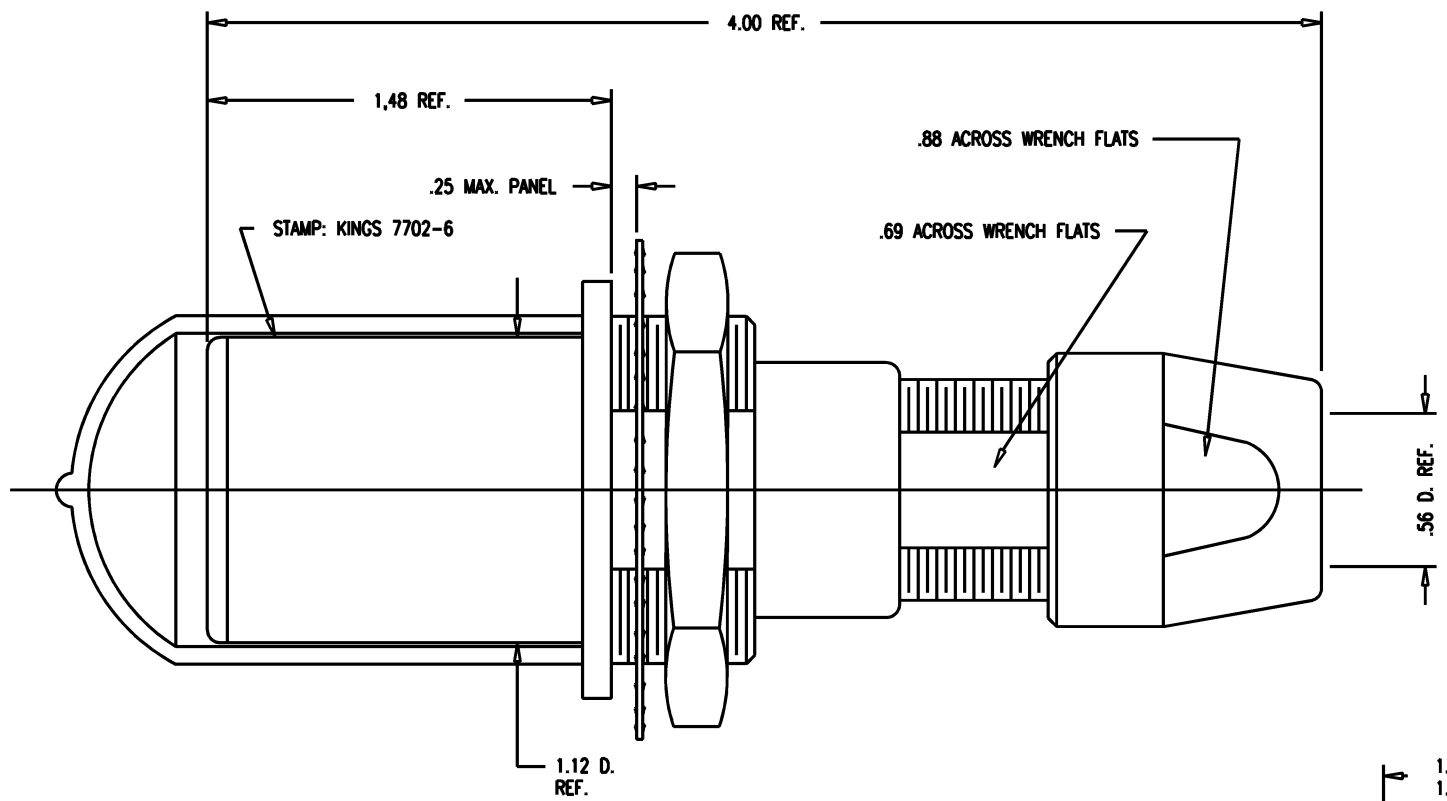


DASH NO.	M CODE	MADE FROM
----------	--------	-----------

# GSD

7702-6

REVISIONS	
ISSUE	CHANGES
0	ER 35432 KH 04/17/95
1	CN 36697 E KH 11/27/95
2	CN 37238 D KH 02/03/97



MOUNTING HOLE

# GSD

**NOTES:**

- FOR USE WITH 740 CABLE GROUP.
- FOR CABLING INSTRUCTIONS SEE KAI-8010.
- FOR CABLE TRIMMING USE KTJ-300 AND KTD-304.
- FOR CRIMPING USE DIE KTH-2041.
- MATERIALS:**  
 INSULATORS-TEFLON, ASTM-D-4894  
 LOCKWASHER-SPRING STEEL, PER ASTM A682  
 GASKETS-SILICONE RUBBER, ZZ-R-765  
 CAP-VINYL  
 K-GRIP SLEEVE-COMMERCIAL BRONZE, ASTM-B-135  
 CENTER CONTACT  
 OUTER CONTACT SPRING } BER. COP., ASTM-B-196  
 INSERT  
 ALL OTHER METAL PARTS-BRASS, ASTM-B16

- FINISHES:**  
 CENTER CONTACT  
 OUTER CONTACT SPRING } GOLD PLATE PER MIL-G-45204  
 LOCKWASHER  
 NUTS  
 COLLET  
 BODIES } KINGS TARNISH RESISTANT NICKEL FINISH (TR-5)  
 ALL OTHER METAL PARTS-SILVER PLATE PER QQ-S-365
- ELECTRICAL CHARACTERISTICS:**  
 NOMINAL IMPEDANCE: 75 OHMS  
 FREQUENCY RANGE: DC-500 MHZ  
 VOLTAGE BREAKDOWN: CENTER CONDUCTOR/INNER GROUND: 1500 VRMS  
 INNER GROUND/OUTER GROUND: 500 VRMS

SCALE 2:1	
APPROX SURFACE AREA	
USED ON	
REF: KP-8022-747-400	
JK, BKHD, TRI-LOC SERIAL DIGITAL	
DRAWN KH	DATE 04/17/95
DESIGN DW	DATE 04/18/95
APPR.	DATE
 ROCK HILL, SOUTH CAROLINA 29730	
7702-6	