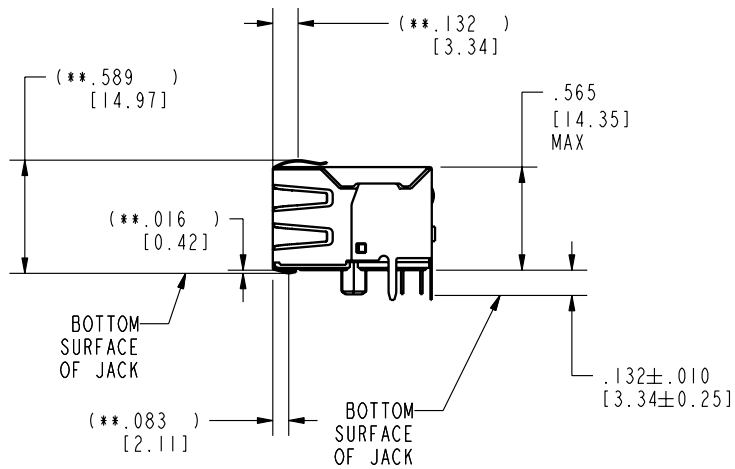
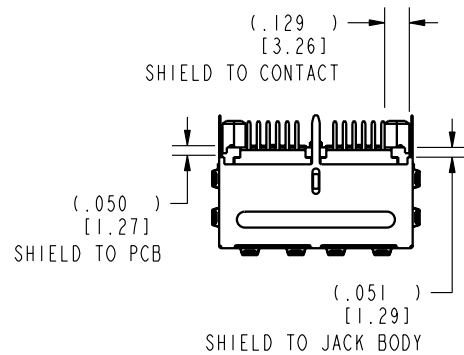
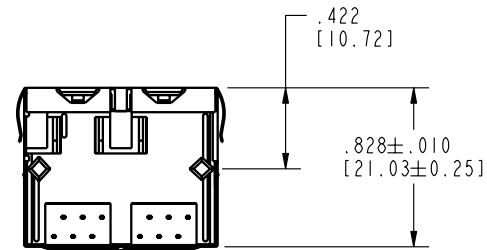
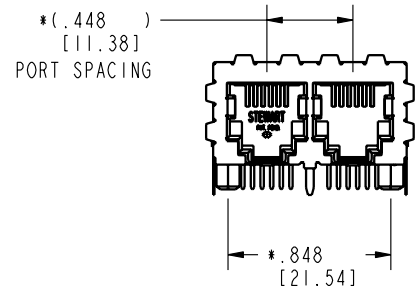
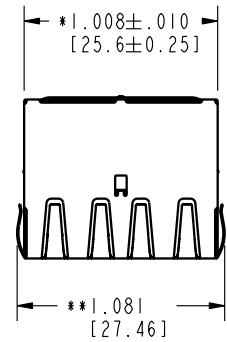


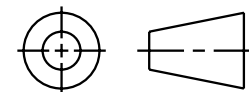
DATE	REV.	ECN	APP'D BY
2-2-06	A2	7456	JM
7-7-06	A3	7671	TRM



- NOTES:
- TOLERANCES COMPLY WITH F.C.C. DIMENSION REQUIREMENTS ALL OTHERS ±.005[0.13] UNLESS OTHERWISE SPECIFIED.
 - DIMENSIONS SHOWN WITH "*" TO BE CENTRAL ABOUT CENTERLINE.
 - DIMENSIONS SHOWN ARE SUBJECT TO CHANGE WITHOUT NOTICE.
 - FOR CONNECTOR SPECIFICATIONS, REFERENCE PRO21-01.
 - CONTACT: SELECTIVE PLATING - 50 MICRO-INCHES.
 - HOUSING: THERMOPLASTIC UL 94 V-0.
 - "***" ON DIMENSION INDICATES HIGHEST POINT OF BEAM.
 - FOR PRODUCT SPECIFICATION SEE PRO22-01.

50 MICRO-INCHES [1.27um]	SS-666602S-A-PG4-AC-50
30 MICRO-INCHES [0.76um]	-
CONTACT PLATING IN MATING AREA	PART NUMBER

THIRD ANGLE PROJECTION



DO NOT SCALE DRAWING
DRAWING IS SUBJECT TO CHANGE WITHOUT NOTICE

DIMENSIONS: INCHES [METRIC]
UNLESS OTHERWISE SPECIFIED
TOLERANCES ARE ±.005 [0.13]
ANGLES ARE ±1°

SHEET NO. 1 OF 2

Bel Stewart Connector

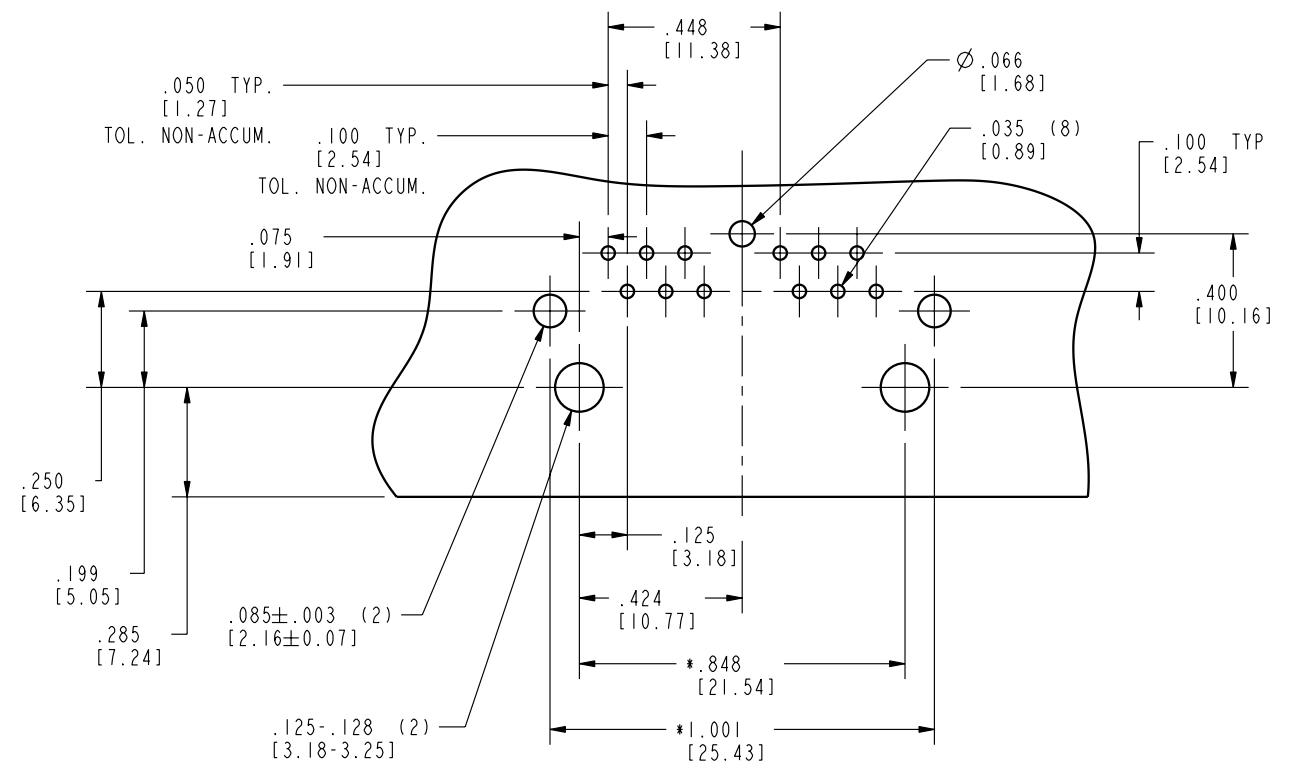
11118 Susquehanna Trail South
Glen Rock, PA 17327-9199
(717) 235-7512 Fax: (717) 235-7954 <http://www.stewartconnector.com>

TITLE: 2 PORT RJ11 SHIELDED HARMONICA JACK WITH PANEL GROUNDS

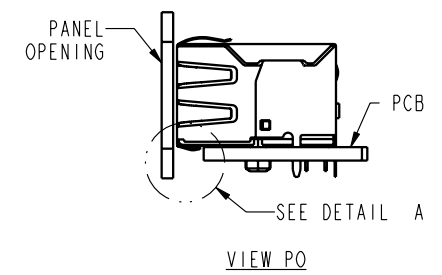
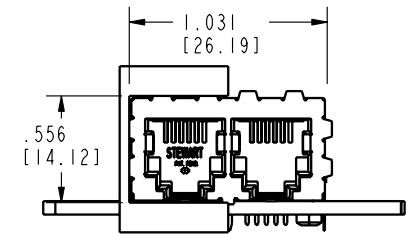
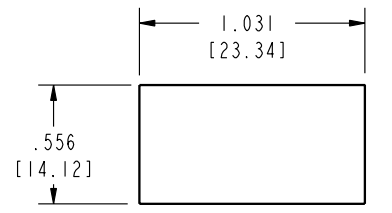
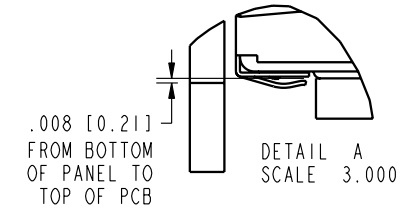
THIS DRAWING AND THE SUBJECT MATTER SHOWN THEREON ARE CONFIDENTIAL AND THE PROPRIETARY PROPERTY OF BEL STEWART CONNECTOR AND SHALL NOT BE REPRODUCED, COPIED, OR USED IN ANY MANNER WITHOUT PRIOR WRITTEN CONSENT OF BEL STEWART CONNECTOR. THE SUBJECT MATTER MAY BE PATENTED OR A PATENT MAY BE PENDING.

DRN BY: JAF	DATE 2-2-06
APPD BY: JM	DATE 2-2-06
DWG. NO. CT660195	REV. A3





P. C. B. RECOMMENDED HOLE LAYOUT
 SEEN FROM SIDE COMPONENT SIDE
 TOLERANCE ±.003 [0.08] UNLESS
 OTHERWISE SPECIFIED



THIRD ANGLE PROJECTION	
DO NOT SCALE DRAWING DRAWING IS SUBJECT TO CHANGE WITHOUT NOTICE	
DIMENSIONS: INCHES [METRIC]	
UNLESS OTHERWISE SPECIFIED TOLERANCES ARE ±.005 [0.13] ANGLES ARE ±1°	
SHEET NO. 2 OF 2	

Bel Stewart Connector
 11118 Susquehanna Trail South
 Glen Rock, PA 17327-9199
 (717) 235-7512 Fax: (717) 235-7954 <http://www.stewartconnector.com>

TITLE: 2 PORT RJ11 SHIELDED HARMONICA JACK WITH PANEL GROUNDS	
DRN BY: JAF	DATE 2-2-06
APPD BY: JM	DATE 2-2-06
DWG. NO. CT660195	REV. A3